

High Pressure Heatless Desiccant Air Dryers 25 to 1800 SCFM

Altec AIR's HHP Series High Pressure Heatless Desiccant Air Dryers are specially designed for higher pressure applications. They are available in three specific designs rated for maximum working pressures of 250, 500, and 1000 PSIG.

- ISO 8573.1 Class 2 -40°F/C Standard Outlet Dewpoint
- Factory installed Filters w/ Differential Pressure Gauges and Pre-Filter Timer Drain
- Separate Re-Pressurization Circuit (HHP-0100 & Larger)
- Feature Rich ETL Listed Pro-Logic Controller w/ NEMA 4 Enclosure
- Regulated Control Air & Adjustable Purge

FEATURES

- Power Requirements - 120 VAC, 1 Phase, 60 Hz
- Maximum Pressure -
 - 250 PSIG (HHP-0250-0025 - HHP-0250-1000)
 - 500 PSIG (HHP-0500-0050 - HHP-0500-1400)
 - 1000 PSIG (HHP-1000-0075 - HHP-1000-1800)
- Maximum Operating Temperature - 120°F / 49°C
- ASME / CRN Approved Safety Relief Valves



OPTIONS

- EcoTronic Dew Point Demand Control
- Bypass Packages

Call for all Available Options

www.AltecAIR.com
800.521.5351

Altec | AIR
HHP SERIES HIGH PRESSURE
HEATLESS DESICCANT AIR DRYERS

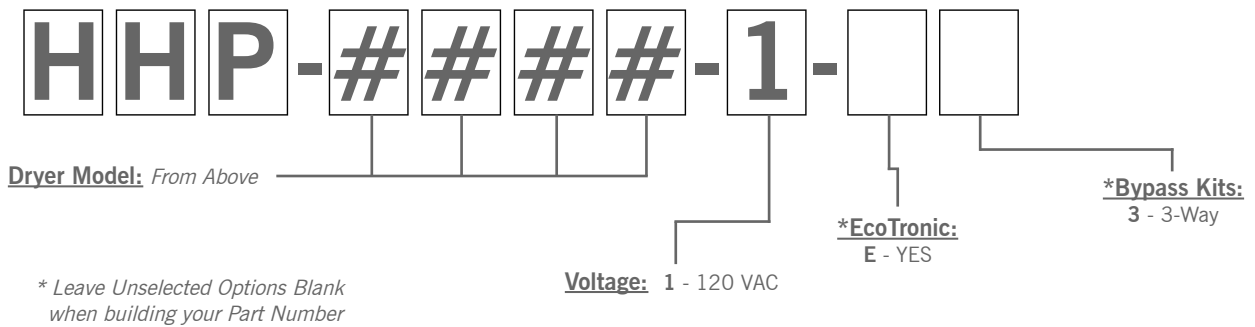
HHP Series

SPECIFICATIONS

	INLET Flow (SCFM @ Rated PSIG)	Maximum Allowable Working Pressure (MAWP) (PSIG)	Inlet / Outlet Ports (NPT)
HHP-0250-0025-1	25	250	1/2"
HHP-0250-0055-1	55		
HHP-0250-0140-1	140		1"
HHP-0250-0250-1	250		
HHP-0250-0390-1	390		
HHP-0250-0570-1	570		1-1/2"
HHP-0250-1000-1	1000		2"
HHP-0500-0050-1	50	500	1/2"
HHP-0500-0095-1	95		1"
HHP-0500-0200-1	200		
HHP-0500-0350-1	350		
HHP-0500-0550-1	550		1-1/2"
HHP-0500-0800-1	800		2"
HHP-0500-1400-1	1400		
HHP-1000-0075-1	75	1000	1/2"
HHP-1000-0130-1	130		1"
HHP-1000-0250-1	250		
HHP-1000-0400-1	400		
HHP-1000-0750-1	750		1-1/2"
HHP-1000-1000-1	1000		2"
HHP-1000-1800-1	1800		

Sizing based on the Compressed Air and Gas Institute CAGI ADF 200 Standard for compressed air of 100 PSIG inlet pressure, 100°F inlet temperature and -40°F/C pressure dew point providing ISO Quality to standard 8573-1 rating 1-2-1 for Compressed Air Quality.

MODEL CONFIGURATION



For more complete information on Altec AIR products and services, visit us on the web at www.AltecAIR.com. Material and specifications are subject to change without notice. Featured units in photos may include optional features. Please contact an Altec AIR representative for all available options. Altec AIR logo is a registered trademarks of Altec Inc. in the United States and various other countries and may not be used without permission.
 © 2023 Altec AIR. All Rights Reserved. SPEC-HHP-0323