

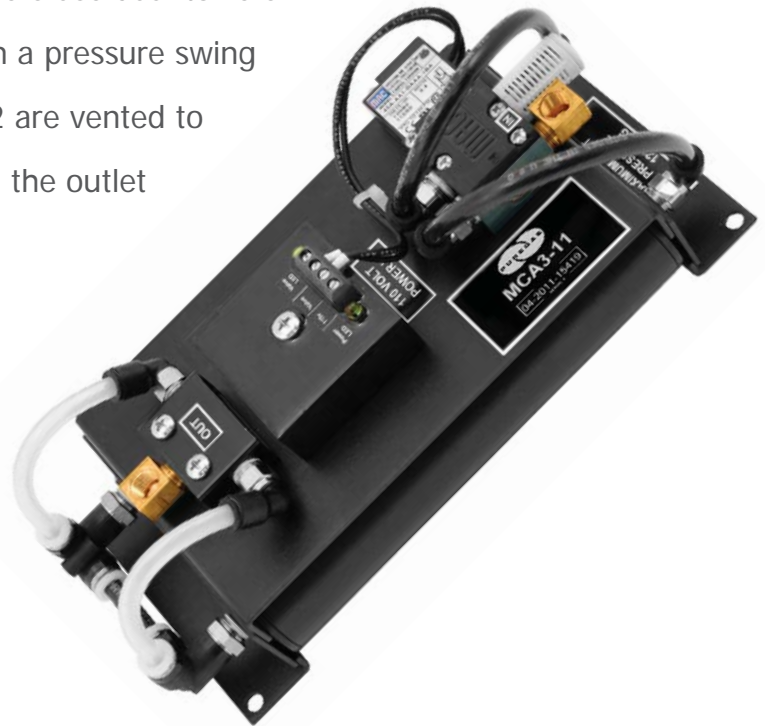


# MCA Series

For Ultra-Dry Air from 0.4 to 3.2 SCFM

Puregas' MCA Series Carbon Dioxide Adsorbers are designed to remove CO<sub>2</sub> and moisture from compressed air. These adsorbers use dual towers with media beds featuring 13X molecular sieve in a pressure swing adsorption process. Adsorbed moisture and CO<sub>2</sub> are vented to atmosphere while dry CO<sub>2</sub>-free air is provided at the outlet port.

The dual tower design performs two essential functions in one process eliminating the need for an additional unit, reducing costs. The regenerative design provide continuous clean dry, CO<sub>2</sub>-free air.



## Product Features:

- Reduces CO<sub>2</sub> to less than 1 ppm
- Reduces water vapor to less than 1 ppm
- Compact, lightweight design saves space
- Easy to install
- Continuous self-regenerative operation
- Operating pressure 50 to 120 PSIG
- 115 volts AC, 6 watts, other voltages available

## Typical Applications:

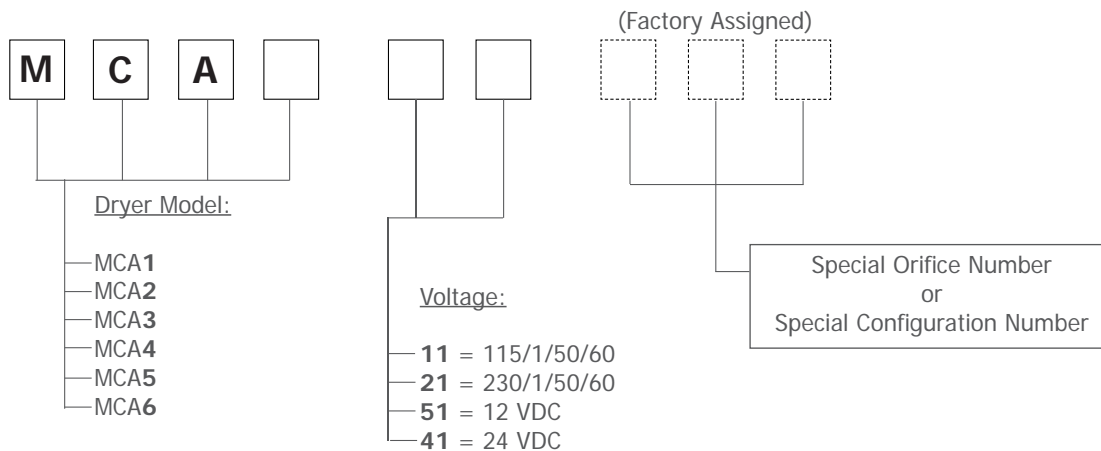
- FTIR Spectrometers
- Gas Chromatographs
- Laboratory Analyzers
- Continuous Emissions Monitors
- TOC Analyzers

## Specifications:

	MCA1	MCA2	MCA3	MCA4	MCA5	MCA6
<b>*Flows (lpm) at 100 PSIG</b>						
Inlet Flow	2.8	8.8	13.2	17.7	25.1	35.3
Purge Flow	1.2	3.7	5.5	7.8	10.3	14.8
Outlet Flow	1.6	5.1	7.7	9.9	14.8	20.5
*Capacities are based on inlet conditions of 70°F, 100% RH, and normal ambient CO2 levels of approximately 375 ppm						
<b>Additional Specifications</b>						
Inlet / Outlet Ports	1/8"				1/4"	
Power Requirements	115 VAC, Single Phase, 50/60 Hz or 220 VAC, Single Phase, 50/60 Hz 12 or 24 VDC					
Maximum Temperature	120°F ambient					
Maximum Pressure	120 PSIG					
Outlet CO2 Concentration	Less than 1 ppm					
Outlet Dew Point	-100°F atmospheric dew point					
<b>Dimensions</b>						
Height	7"	10.3"	8.8"	10.1"	9.5"	11.5"
Width	3.5"		4"		5"	
Depth	3.3"		3.5"		3.8"	
Weight	22 oz	24 oz	25 oz	30 oz	35 oz	50 oz

**Note:** Inlet and outlet flows shown above are maximum capacities and should not be exceeded for best performance. Purge flow is regulated by an integral fixed purge orifice. No inlet or outlet flow regulation is installed on the adsorber/dryer and must be provided by the user. If your flow, temperature, or pressure are different from above, consult factory for performance.

## Model Number Ordering:



For additional information please go to our web site @ [airdryers.com](http://airdryers.com)



**PUREGAS, LLC**  
 226A Commerce St.  
 Broomfield, CO 80020  
 Tel 800-700-8537  
 Fax 303-465-9294  
 sales@airdryers.com