



HBP-0550-4-3 BLOWER PURGE DESICCANT AIR DRYER GENERAL ARRANGEMENT

TOLERANCES UNLESS
OTHERWISE SPECIFIED:

- FRACTIONS = ± 1/4 "
- ANGLES = ± 3°
- INCHES = ± 1/2 "
- FINISH = 250

THE SPECIFICATIONS AND DRAWINGS DISCLOSED HEREIN ARE THE SOLE PROPERTY OF ALTEC AIR, AND SHALL NOT BE COPIED OR USED AS THE BASIS FOR SALE OR MANUFACTURE WITHOUT EXPRESS WRITTEN PERMISSION.

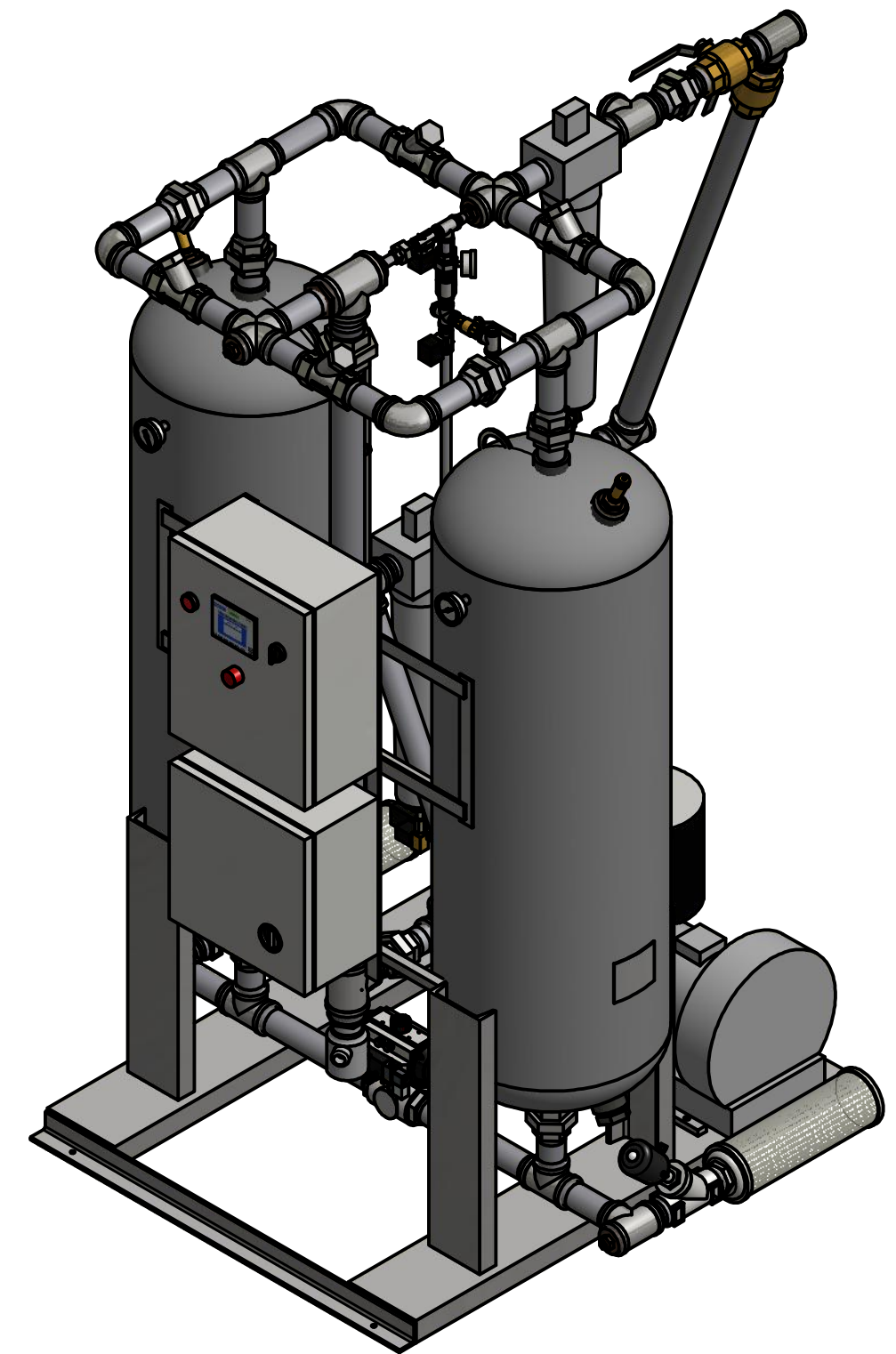
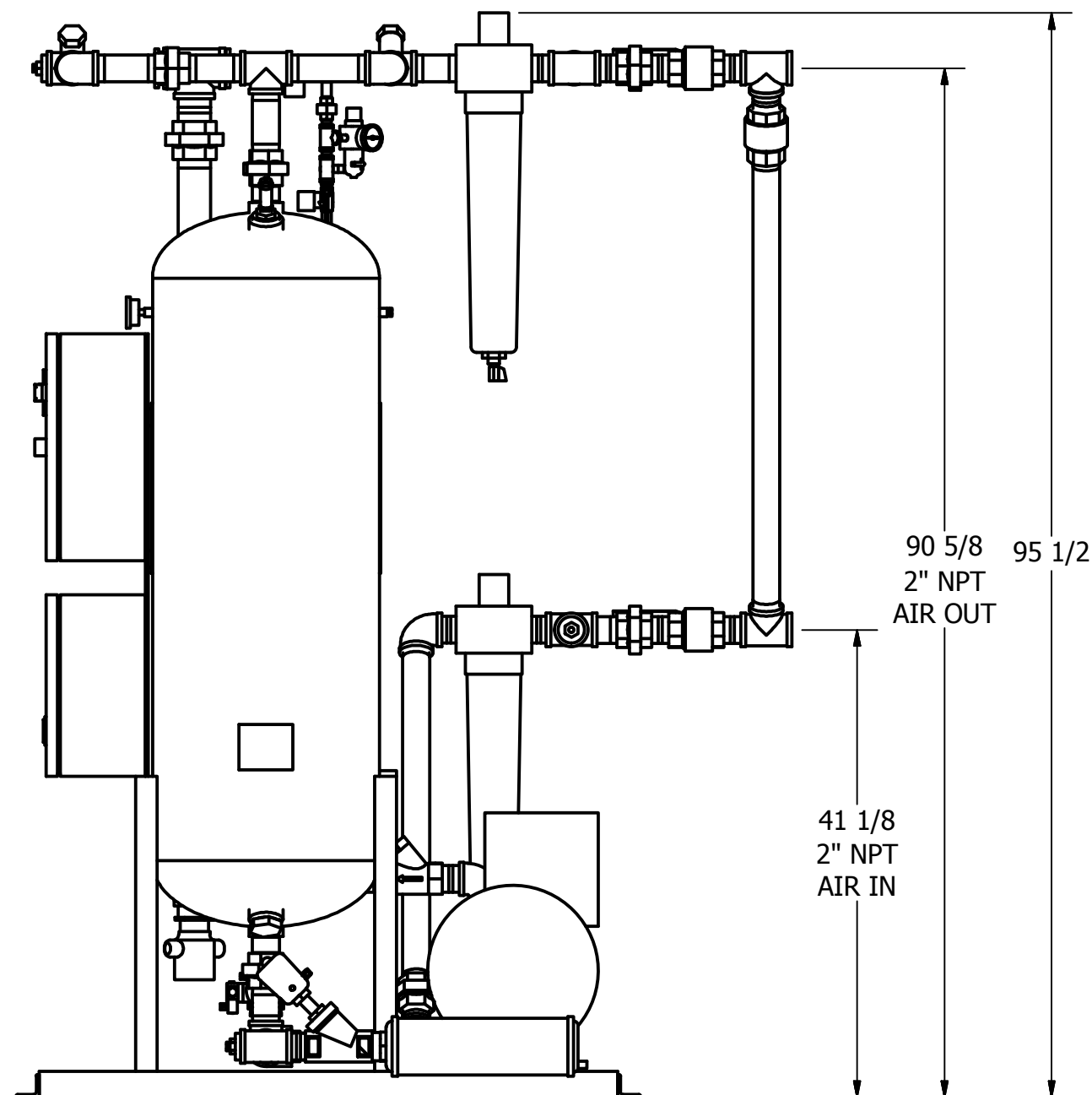
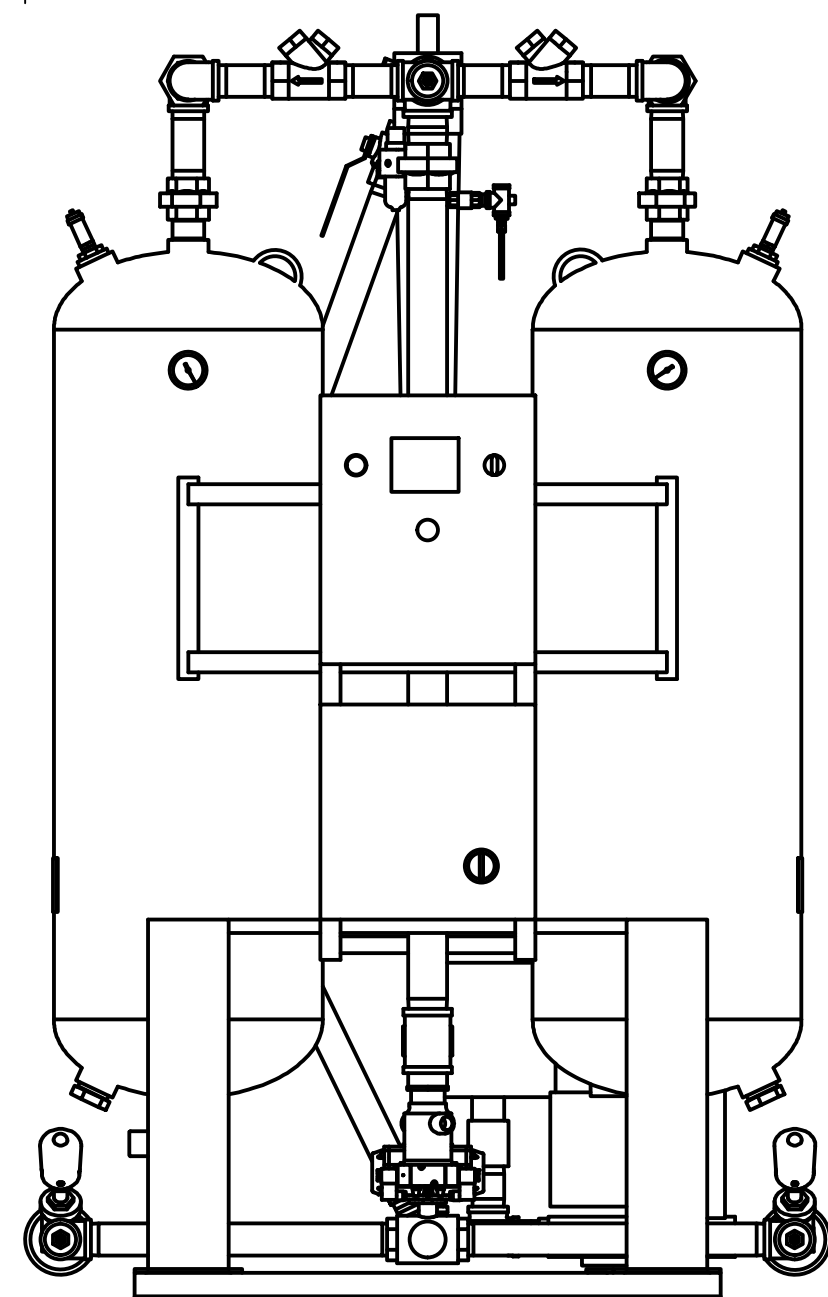
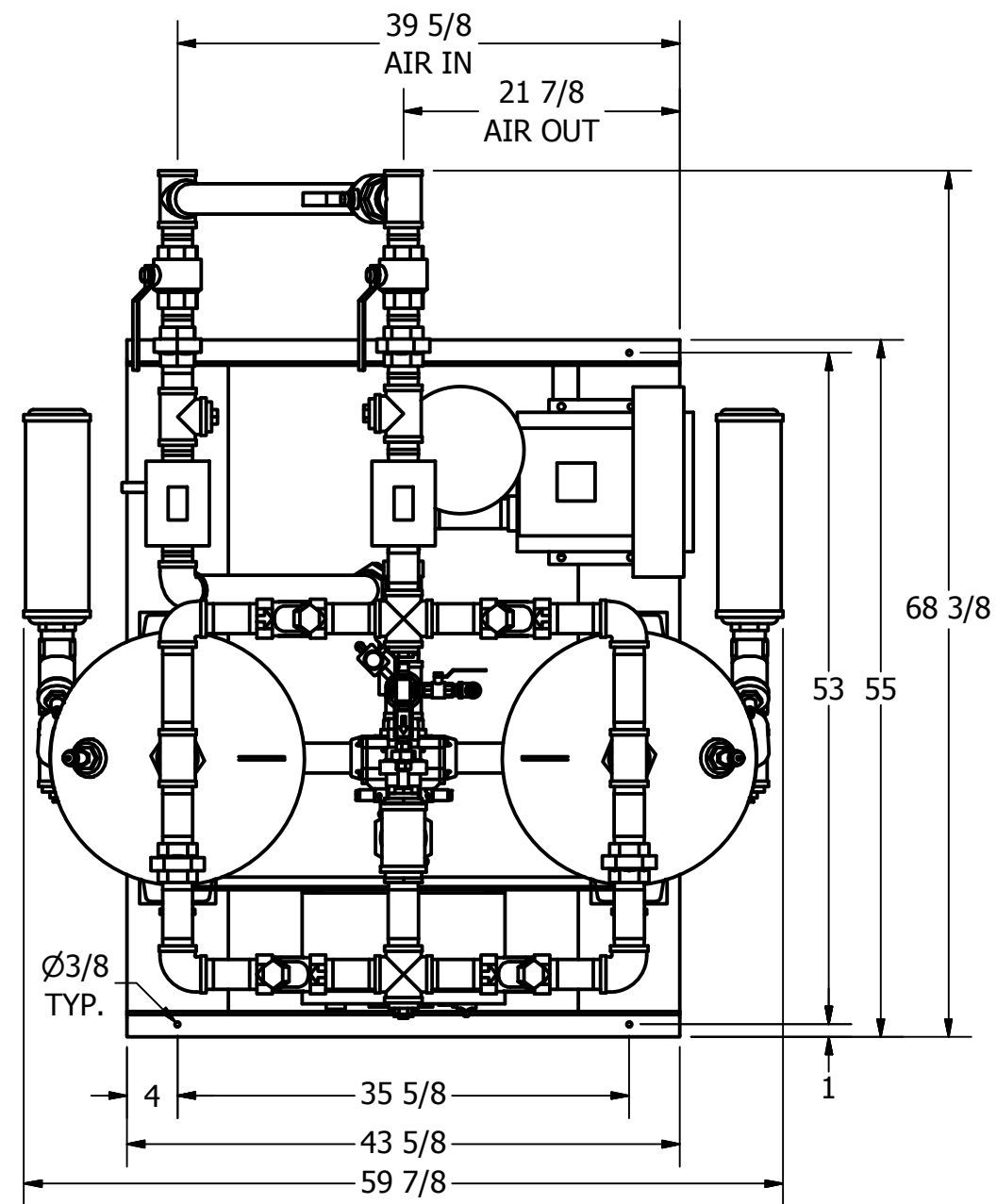
REVISION LOG

REV.	ECO.	DESCRIPTION	DATE	APPROVED
A				

DRAWING NO. **AT20-1363** REV. **A**

DRAWN: WS DATE: 1/25/2021
CHECKED: DATE:

SCALE: N/A SHEET: 1 OF 2



PRELIMINARY



HBP-0550-4-3 BLOWER PURGE DESICCANT AIR DRYER GENERAL ARRANGEMENT

TOLERANCES UNLESS OTHERWISE SPECIFIED:

- FRACTIONS = ± 1/4 "
- ANGLES = ± 3°
- INCHES = ± 1/2 "
- FINISH = 250

THE SPECIFICATIONS AND DRAWINGS DISCLOSED HEREIN ARE THE SOLE PROPERTY OF ALTEC AIR, AND SHALL NOT BE COPIED OR USED AS THE BASIS FOR SALE OR MANUFACTURE WITHOUT EXPRESS WRITTEN PERMISSION.

REVISION LOG

REV.	ECO.	DESCRIPTION	DATE	APPROVED
A				

DRAWING NO.

AT20-1363

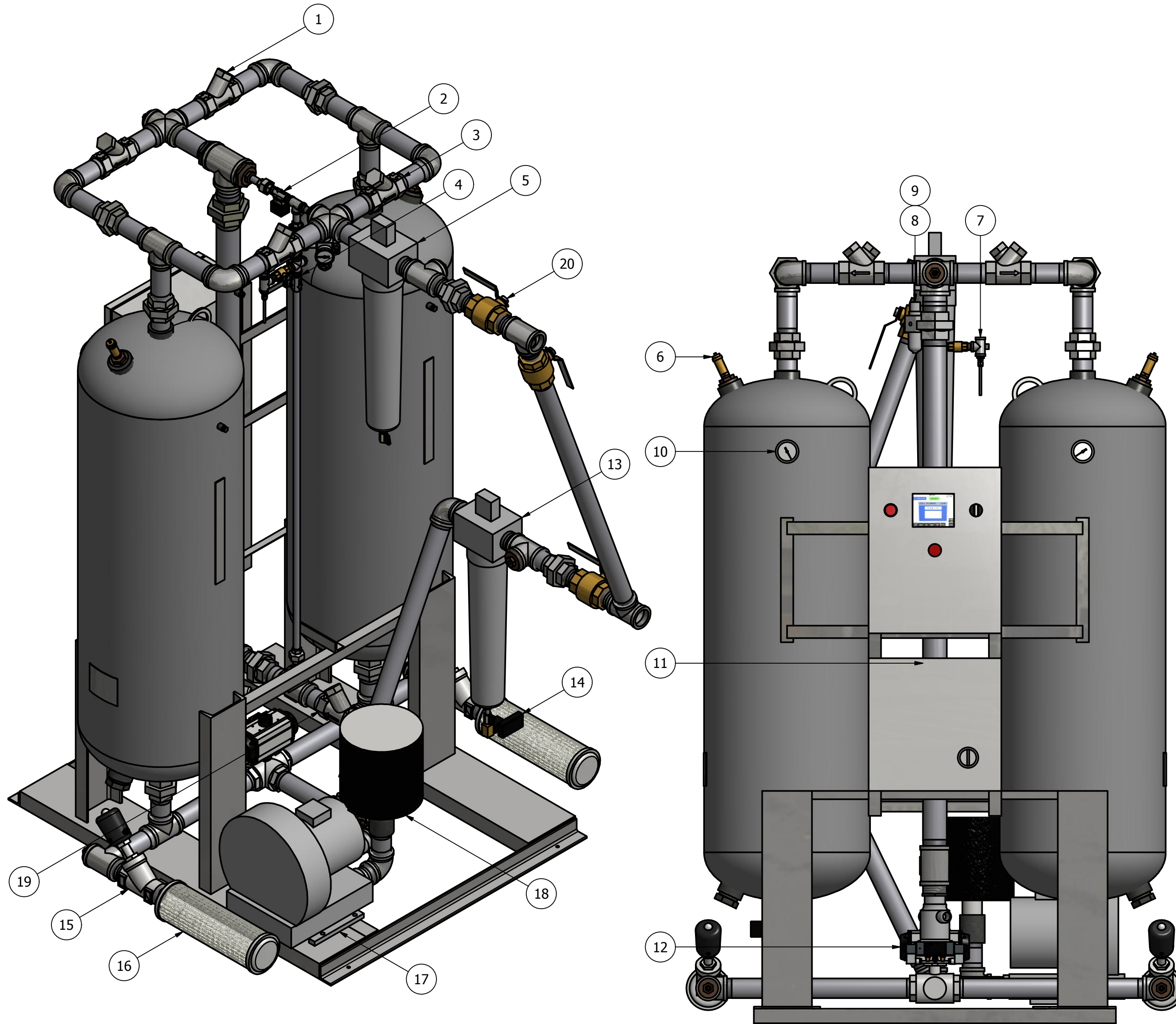
REV. **A**

DRAWN: WS DATE: 1/25/2021
CHECKED: DATE:

SCALE: N/A SHEET: 2 OF 2

PARTS LIST

ITEM	QTY	DESCRIPTION
1	2	CHECK VALVE, PURGE
2	1	SOLENOID, REPRESS
3	2	CHECK VALVE, OUTLET
4	1	SOLENOID, 2%
5	1	PARTICULATE AFTER-FILTER
6	2	RELIEF VALVE, TANK
7	1	DEW POINT MONITOR (OPTIONAL)
8	1	PRESSURE REGULATOR, CONTROL
9	1	PRESSURE GAUGE, CONTROL
10	2	PRESSURE GAUGE, TANK
11	1	12 KW HEATER
12	1	3 WAY BALL VALVE, INLET
13	1	COALESCER PRE-FILTER
14	1	TIMED DRAIN
15	2	ANGLE BODY VALVE, EXHAUST
16	2	MUFFLER, EXHAUST
17	1	3 HP BLOWER
18	1	FILTER, BLOWER
19	1	CHECK VALVE, BLOWER
20	3	MANUAL BALL VALVE, BYPASS
21	820 LBS	DESICCANT



PRELIMINARY