



HBP-0650-4 BLOWER PURGE DESICCANT AIR DRYER GENERAL ARRANGEMENT

TOLERANCES UNLESS
OTHERWISE SPECIFIED:

FRACTIONS = ± 1/4 "
 ANGLES = ± 3°
 INCHES = ± 1/2 "
 FINISH = 250

THE SPECIFICATIONS AND DRAWINGS DISCLOSED HEREIN ARE THE SOLE PROPERTY OF ALTEC AIR, AND SHALL NOT BE
 COPIED OR USED AS THE BASIS FOR SALE OR MANUFACTURE WITHOUT EXPRESS WRITTEN PERMISSION.

REVISION LOG

REV.	ECO.	DESCRIPTION	DATE	APPROVED
C	0447	UPDATED UPPER LINE	1/17/2017	WA

DRAWING NO.

AT20-640

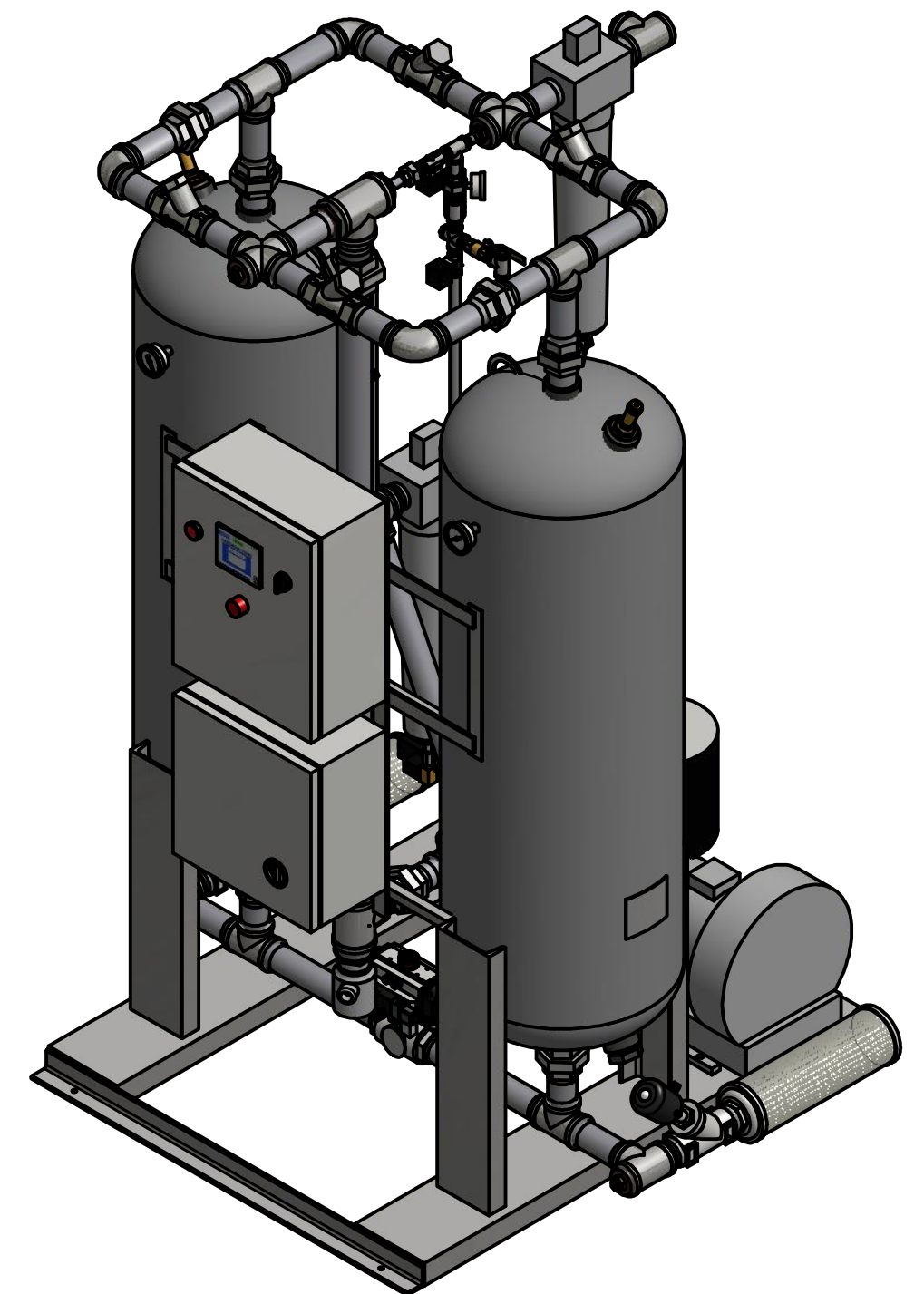
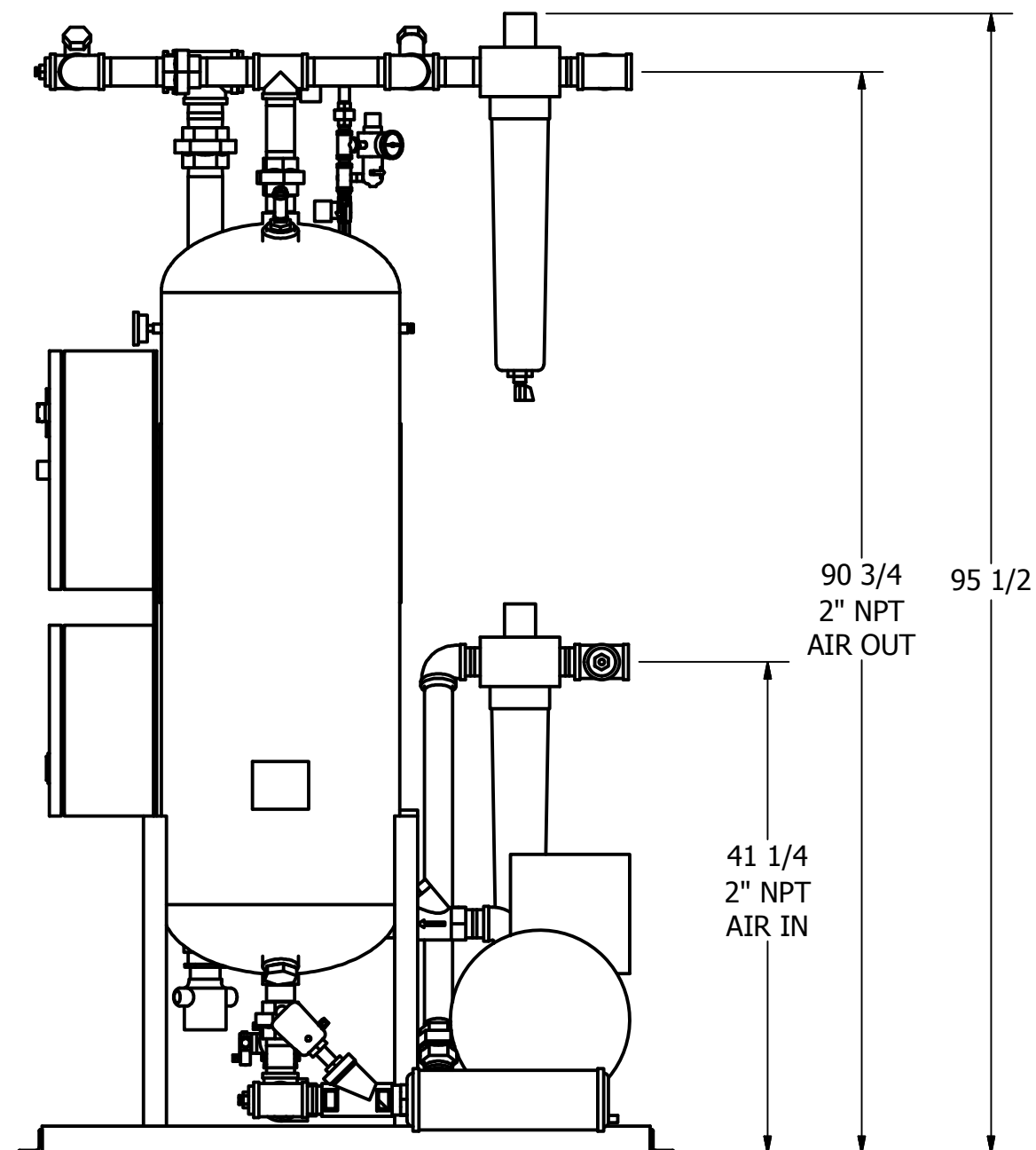
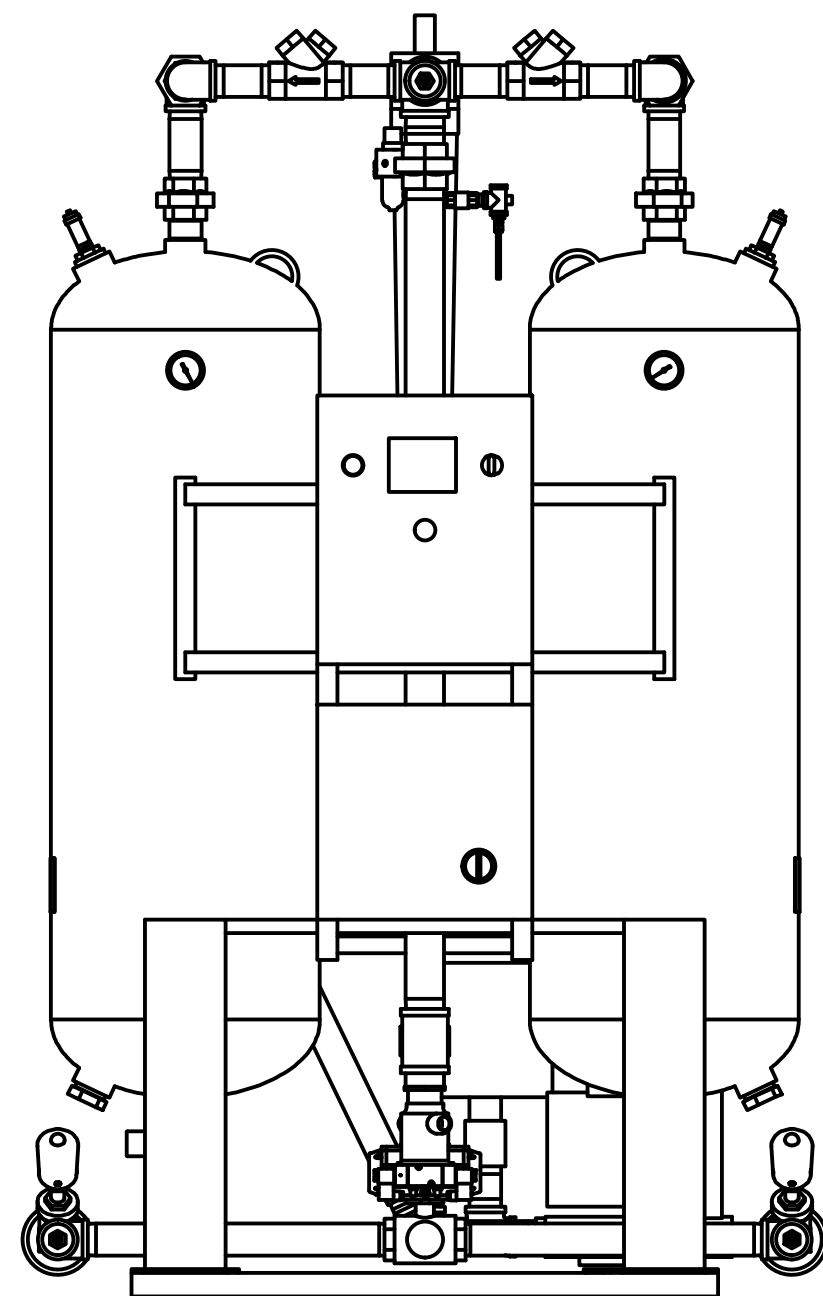
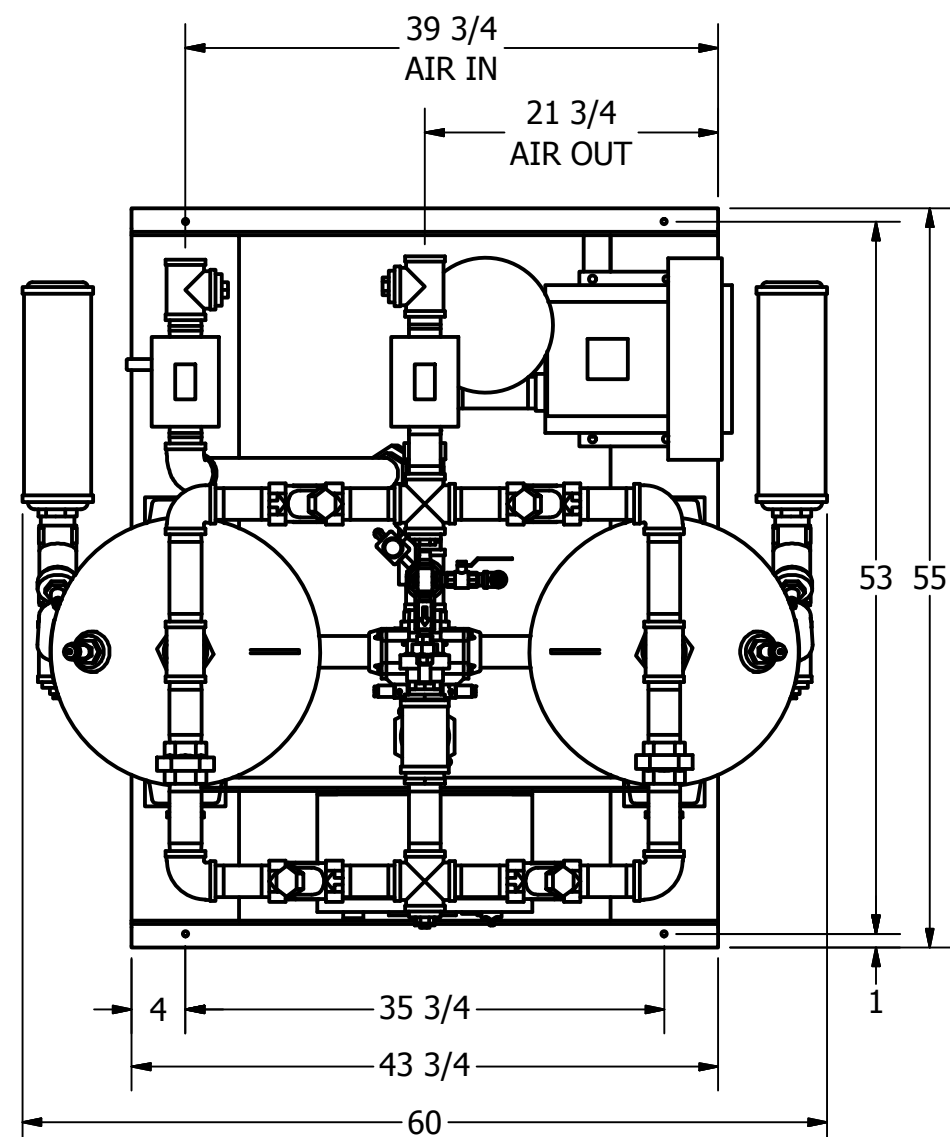
REV.
C

DRAWN: MR
 CHECKED:

DATE: 3/25/2015
 DATE:

SCALE: N/A

SHEET: 1 OF 2



PRELIMINARY



HBP-0650-4 BLOWER PURGE DESICCANT AIR DRYER GENERAL ARRANGEMENT

TOLERANCES UNLESS OTHERWISE SPECIFIED:

- FRACTIONS = ± 1/4 "
- ANGLES = ± 3°
- INCHES = ± 1/2 "
- FINISH = 250

THE SPECIFICATIONS AND DRAWINGS DISCLOSED HEREIN ARE THE SOLE PROPERTY OF ALTEC AIR, AND SHALL NOT BE COPIED OR USED AS THE BASIS FOR SALE OR MANUFACTURE WITHOUT EXPRESS WRITTEN PERMISSION.

REVISION LOG

REV.	ECO.	DESCRIPTION	DATE	APPROVED
C	0447	UPDATED UPPER LINE	1/17/2017	WA

DRAWING NO.

AT20-640

REV.

C

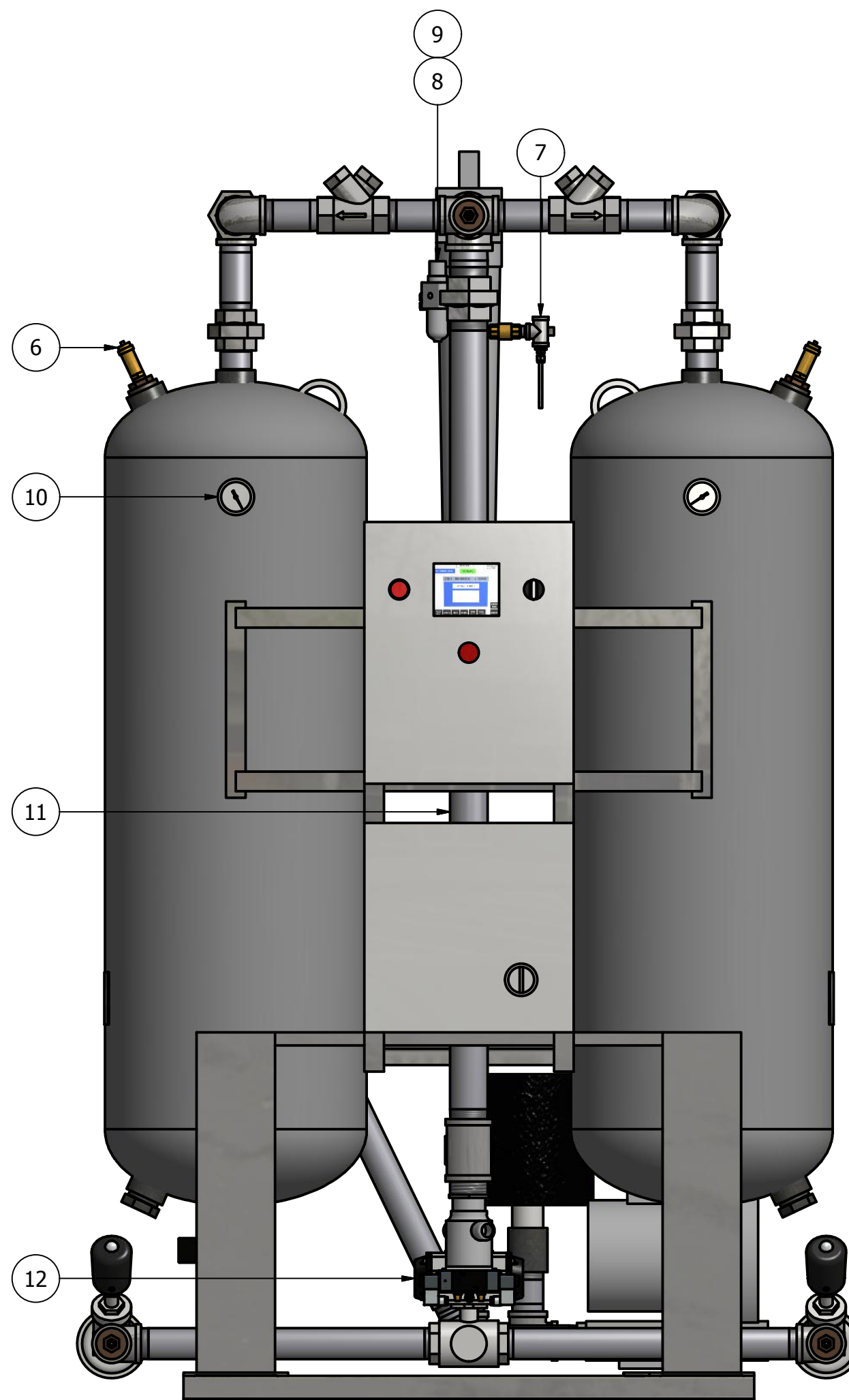
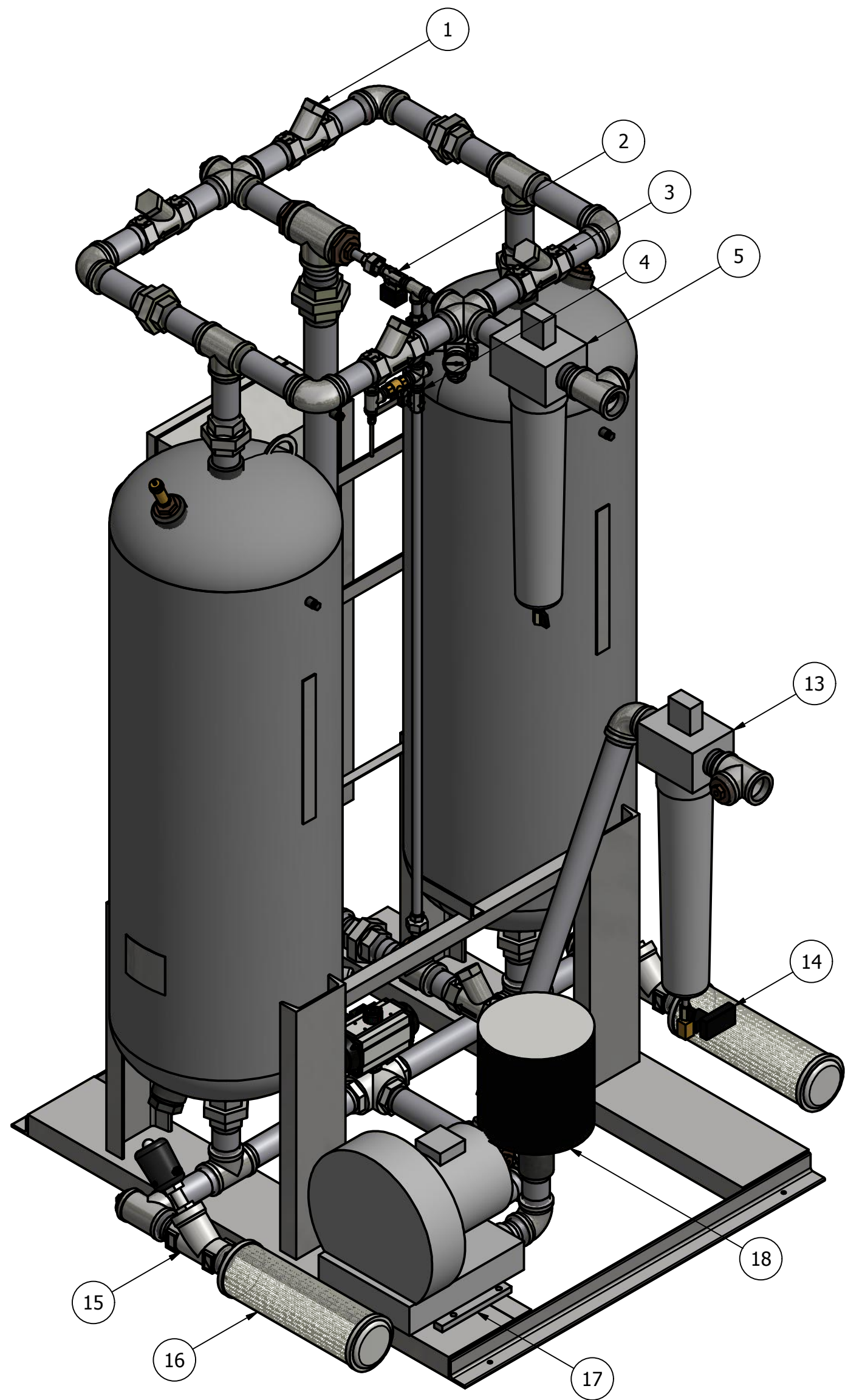
DRAWN: MR DATE: 3/25/2015
CHECKED: DATE:

SCALE: N/A

SHEET: 2 OF 2

PARTS LIST

ITEM	QTY	DESCRIPTION
1	2	CHECK VALVE, PURGE
2	1	SOLENOID, REPRESS
3	2	CHECK VALVE, OUTLET
4	1	SOLENOID, 2%
5	1	PARTICULATE AFTER-FILTER
6	2	RELIEF VALVE, TANK
7	1	DEW POINT MONITOR (OPTIONAL)
8	1	PRESSURE REGULATOR, CONTROL
9	1	PRESSURE GAUGE, CONTROL
10	2	PRESSURE GAUGE, TANK
11	1	12 KW HEATER
12	1	3 WAY BALL VALVE, INLET
13	1	COALESCER PRE-FILTER
14	1	TIMED DRAIN
15	2	ANGLE BODY VALVE, EXHAUST
16	2	MUFFLER, EXHAUST
17	1	3 HP BLOWER
18	1	FILTER, BLOWER
19	975 LBS	DESICCANT



PRELIMINARY