



# HBP-1000-4-3 BLOWER PURGE DESICCANT AIR DRYER GENERAL ARRANGEMENT

TOLERANCES UNLESS  
OTHERWISE SPECIFIED:

- FRACTIONS = ± 1/4 "
- ANGLES = ± 3°
- INCHES = ± 1/2 "
- FINISH = 250

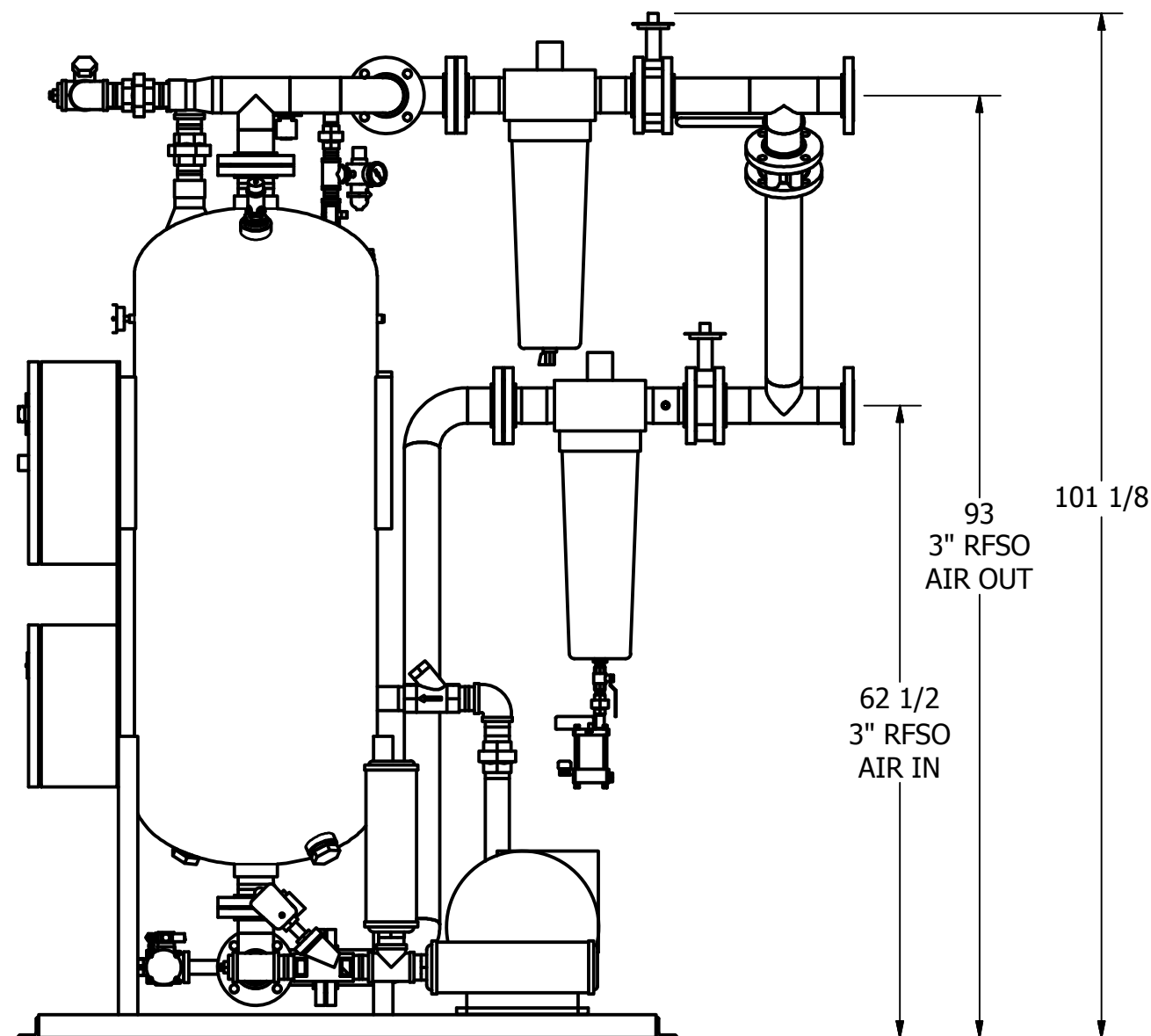
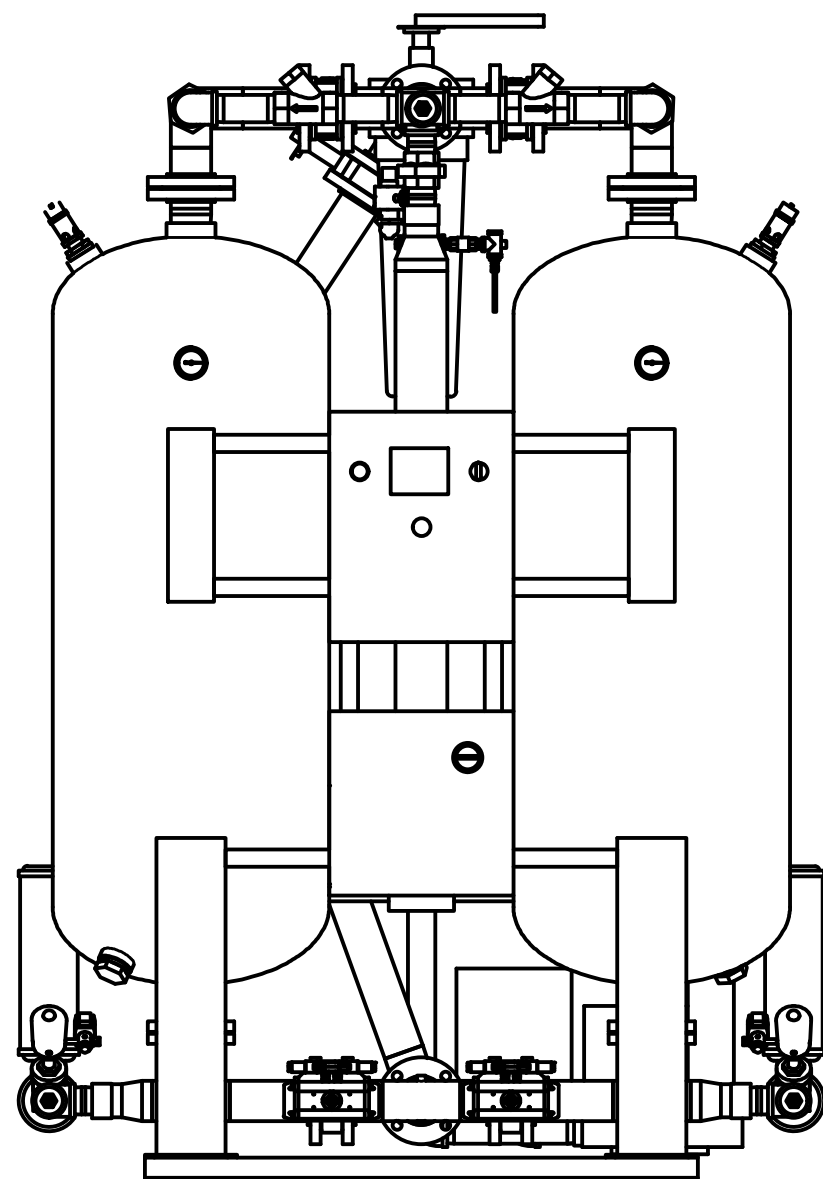
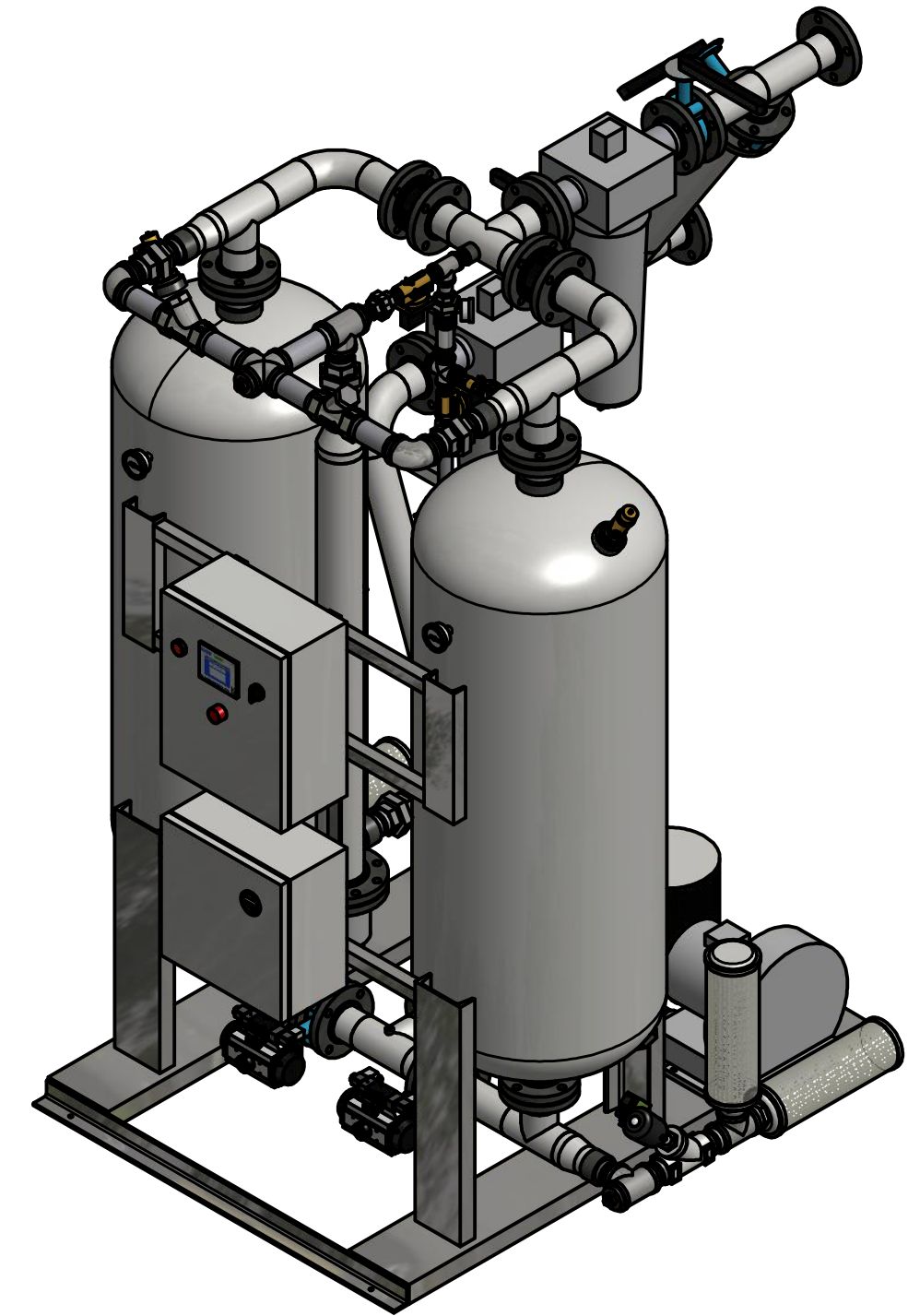
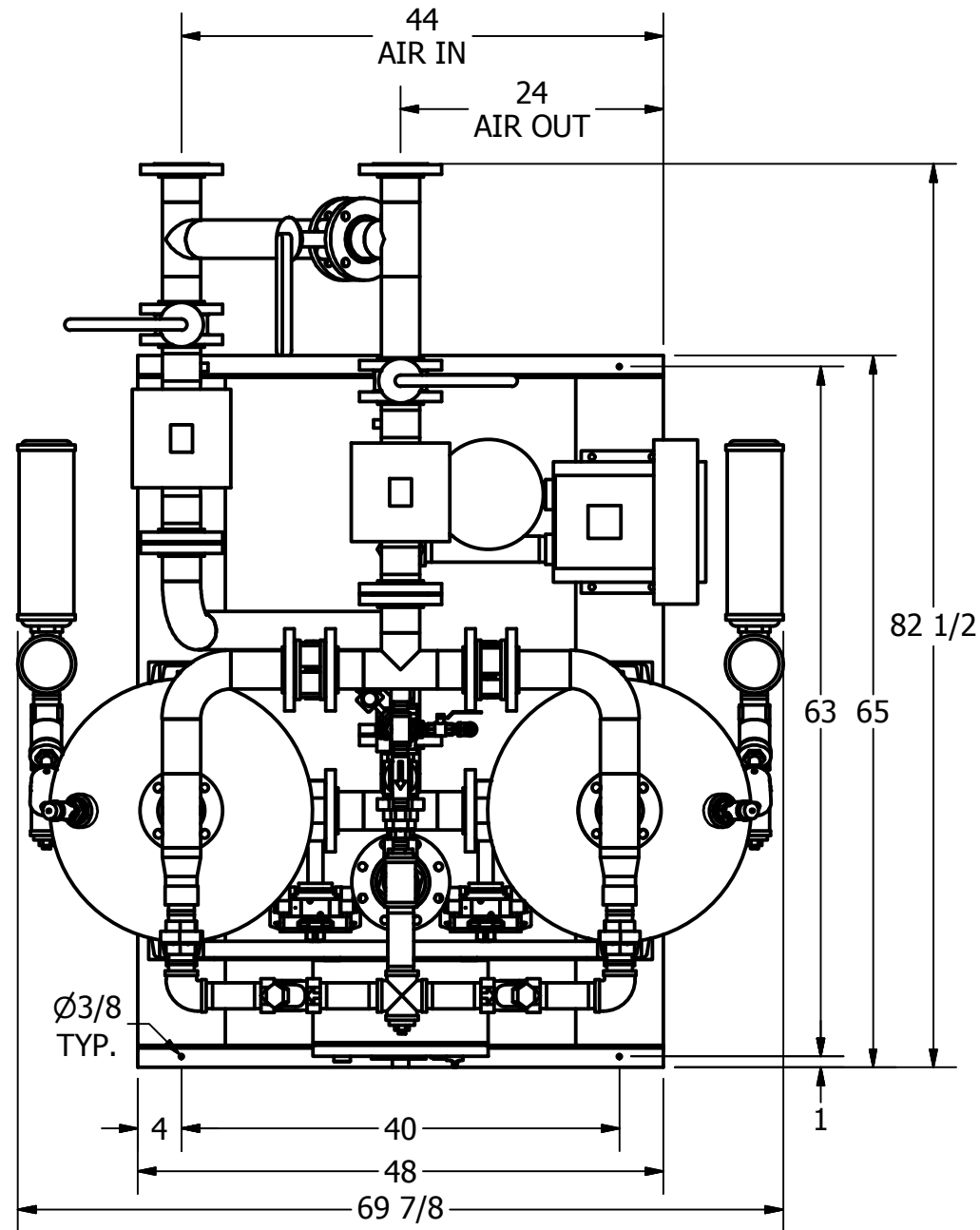
THE SPECIFICATIONS AND DRAWINGS DISCLOSED HEREIN ARE THE SOLE PROPERTY OF ALTEC AIR, AND SHALL NOT BE COPIED OR USED AS THE BASIS FOR SALE OR MANUFACTURE WITHOUT EXPRESS WRITTEN PERMISSION.

### REVISION LOG

REV.	ECO.	DESCRIPTION	DATE	APPROVED
A				

DRAWING NO. **AT20-1168** REV. **A**

DRAWN: WS DATE: 3/18/2019  
 CHECKED: DATE: SCALE: N/A SHEET: 1 OF 2



**PRELIMINARY**



# HBP-1000-4-3 BLOWER PURGE DESICCANT AIR DRYER GENERAL ARRANGEMENT

TOLERANCES UNLESS  
OTHERWISE SPECIFIED:

FRACTIONS = ± 1/4 "  
 ANGLES = ± 3°  
 INCHES = ± 1/2 "  
 FINISH = 250

THE SPECIFICATIONS AND DRAWINGS DISCLOSED HEREIN ARE THE SOLE PROPERTY OF ALTEC AIR, AND SHALL NOT BE  
 COPIED OR USED AS THE BASIS FOR SALE OR MANUFACTURE WITHOUT EXPRESS WRITTEN PERMISSION.

### REVISION LOG

REV.	ECO.	DESCRIPTION	DATE	APPROVED
A				

DRAWING NO.

AT20-1168

REV.  
A

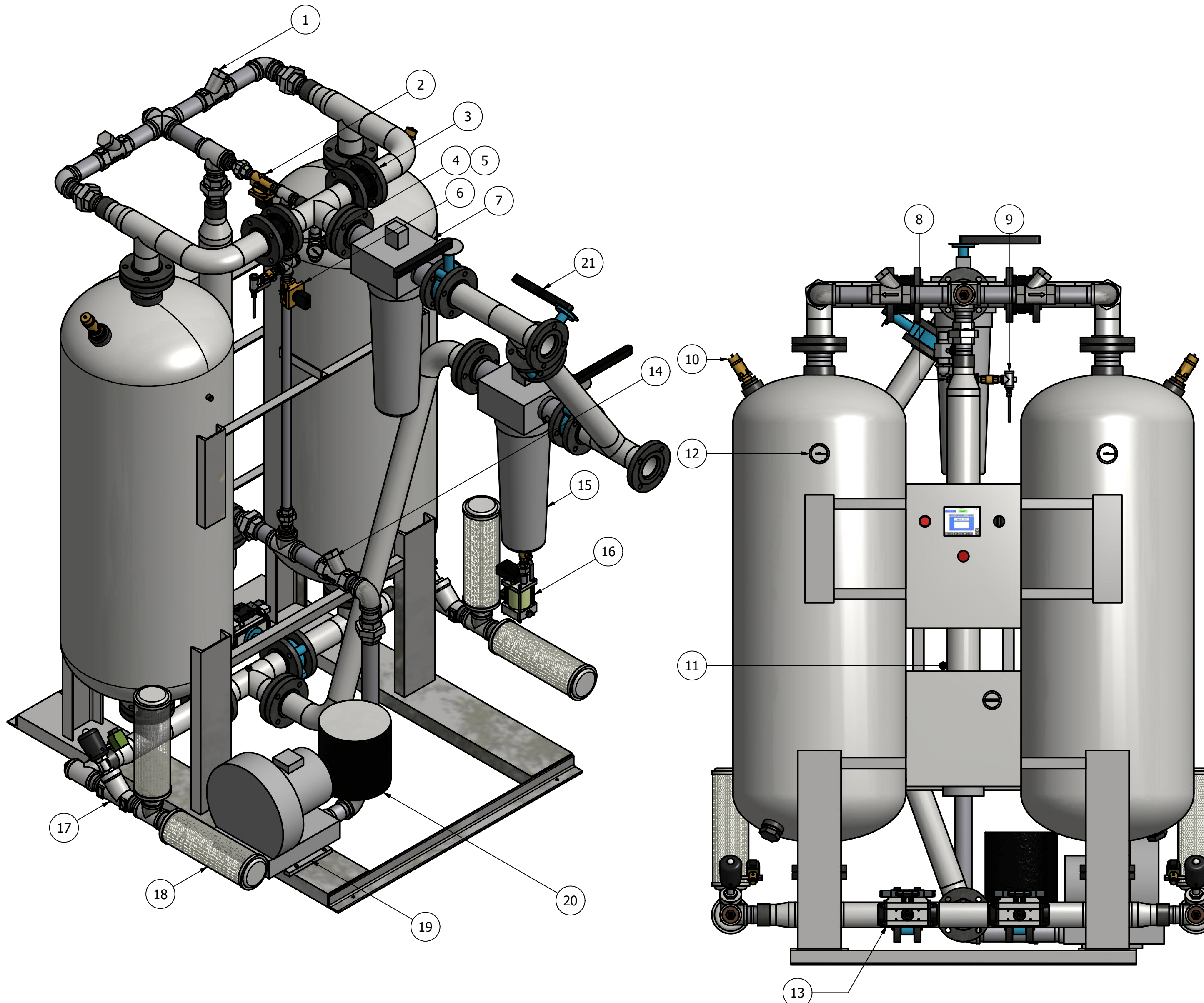
DRAWN: WS DATE: 3/18/2019  
 CHECKED: DATE:

SCALE: N/A

SHEET: 2 OF 2

### PARTS LIST

ITEM	QTY	DESCRIPTION
1	2	CHECK VALVE, PURGE
2	1	SOLENOID VALVE, REPRESS
3	2	CHECK VALVE, OUTLET
4	1	PRESSURE REGULATOR, CONTROL
5	1	PRESSURE GAUGE, CONTROL
6	1	SOLENOID VALVE, 2%
7	1	PARTICULATE AFTER-FILTER
8	1	MOISTURE INDICATOR
9	1	DEW POINT MONITOR (OPTIONAL)
10	2	RELIEF VALVE, TANKS
11	1	15 KW HEATER
12	2	PRESSURE GAUGE, TANKS
13	2	BUTTERFLY VALVE, INLET
14	1	CHECK VALVE, BLOWER
15	1	COALESCER PRE-FILTER
16	1	ZERO LOSS DRAIN
17	2	ANGLE BODY VALVE, EXHAUST
18	2	MUFFLER, EXHAUST
19	1	5 HP BLOWER
20	1	BLOWER FILTER
21	3	MANUAL BUTTERFLY VALVE, BYPASS
22	1600 LBS	DESICCANT



**PRELIMINARY**