



# HBP-1500-4 BLOWER PURGE DESICCANT AIR DRYER GENERAL ARRANGEMENT

TOLERANCES UNLESS OTHERWISE SPECIFIED:

- FRACTIONS = ± 1/4 "
- ANGLES = ± 3°
- INCHES = ± 1/2 "
- FINISH = 250

THE SPECIFICATIONS AND DRAWINGS DISCLOSED HEREIN ARE THE SOLE PROPERTY OF ALTEC AIR, AND SHALL NOT BE COPIED OR USED AS THE BASIS FOR SALE OR MANUFACTURE WITHOUT EXPRESS WRITTEN PERMISSION.

### REVISION LOG

REV.	ECO.	DESCRIPTION	DATE	APPROVED
F	1091	PRODUCTION UPDATES	2/8/2021	WS

DRAWING NO.

**AT20-495**

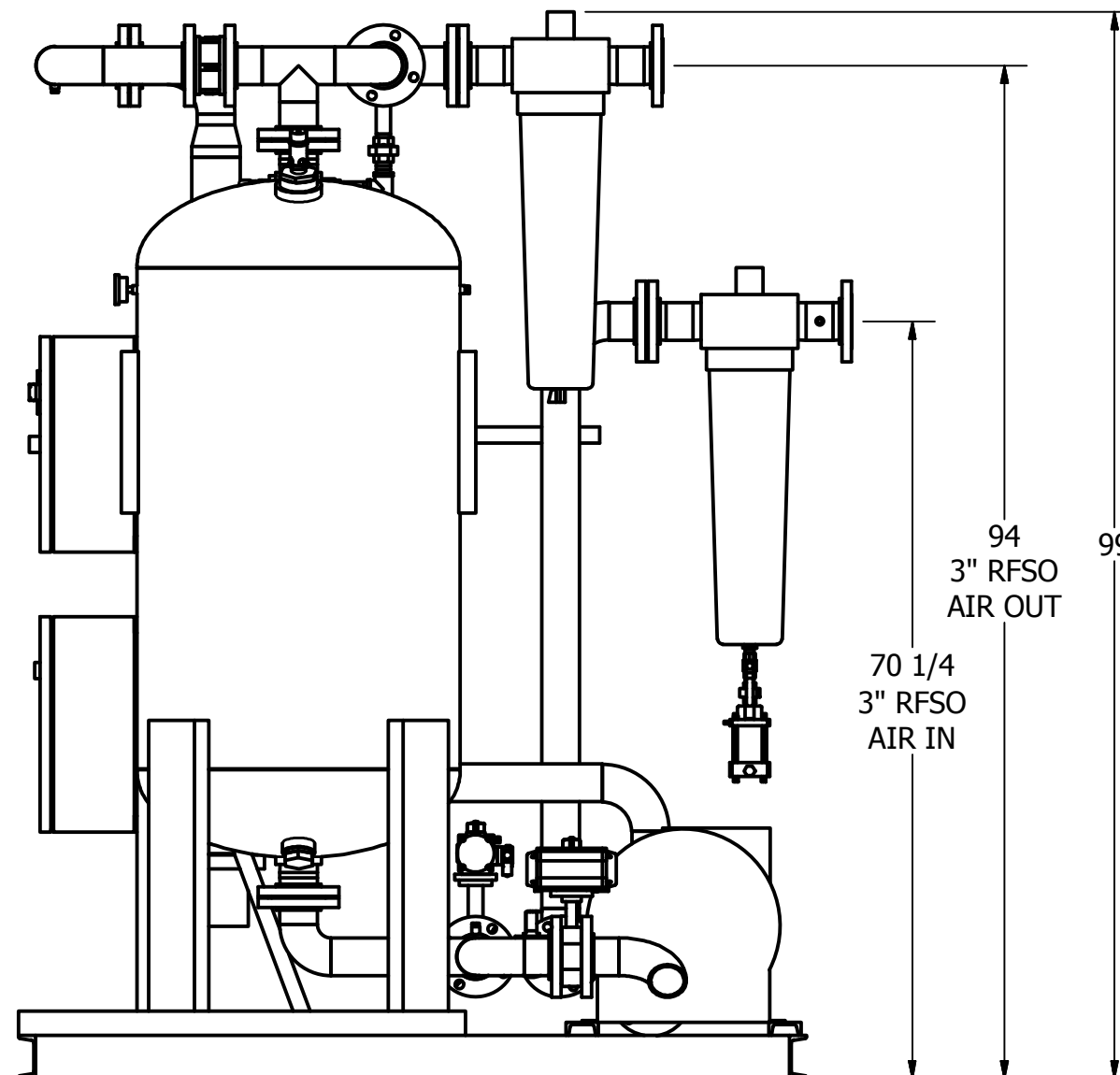
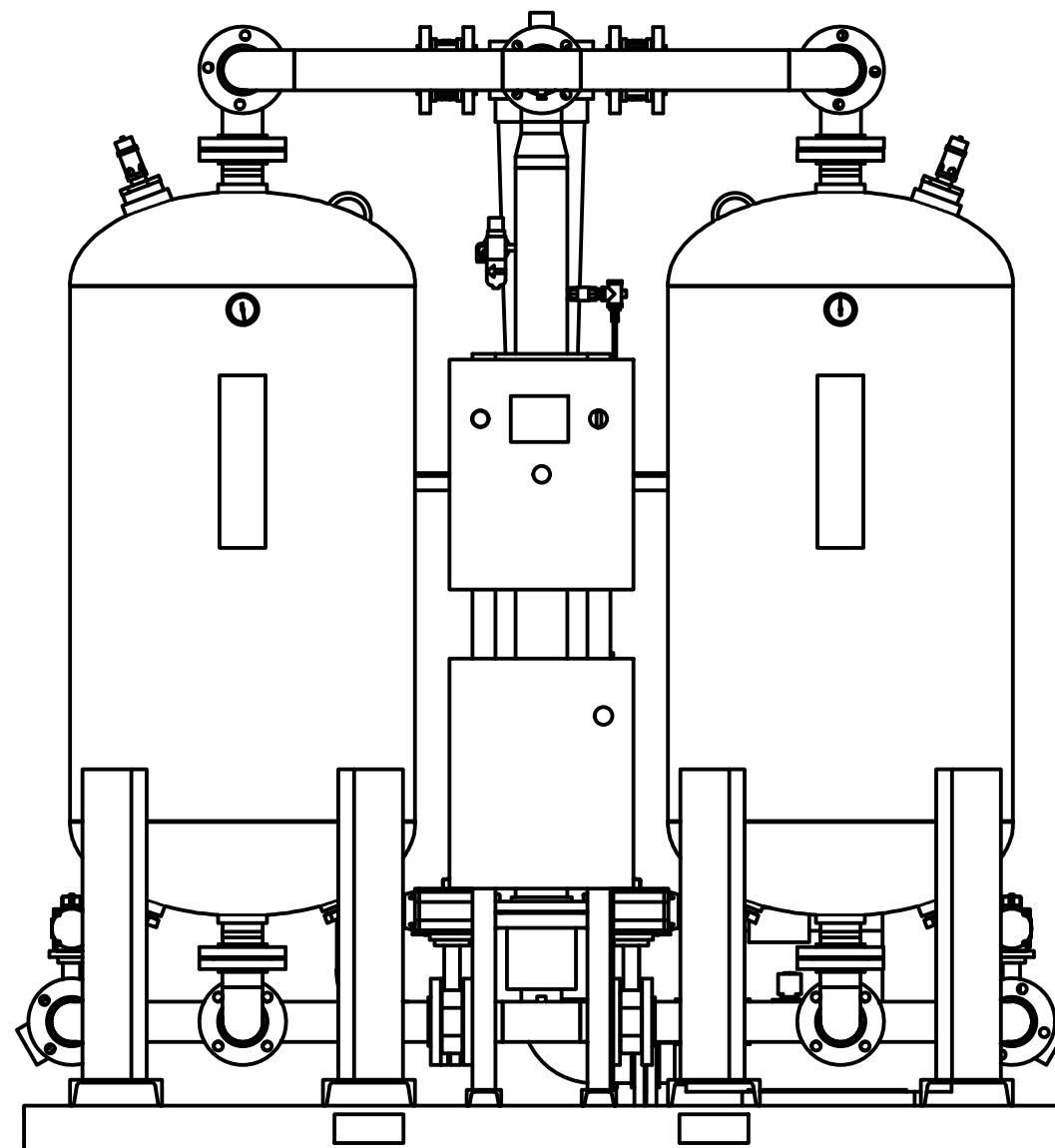
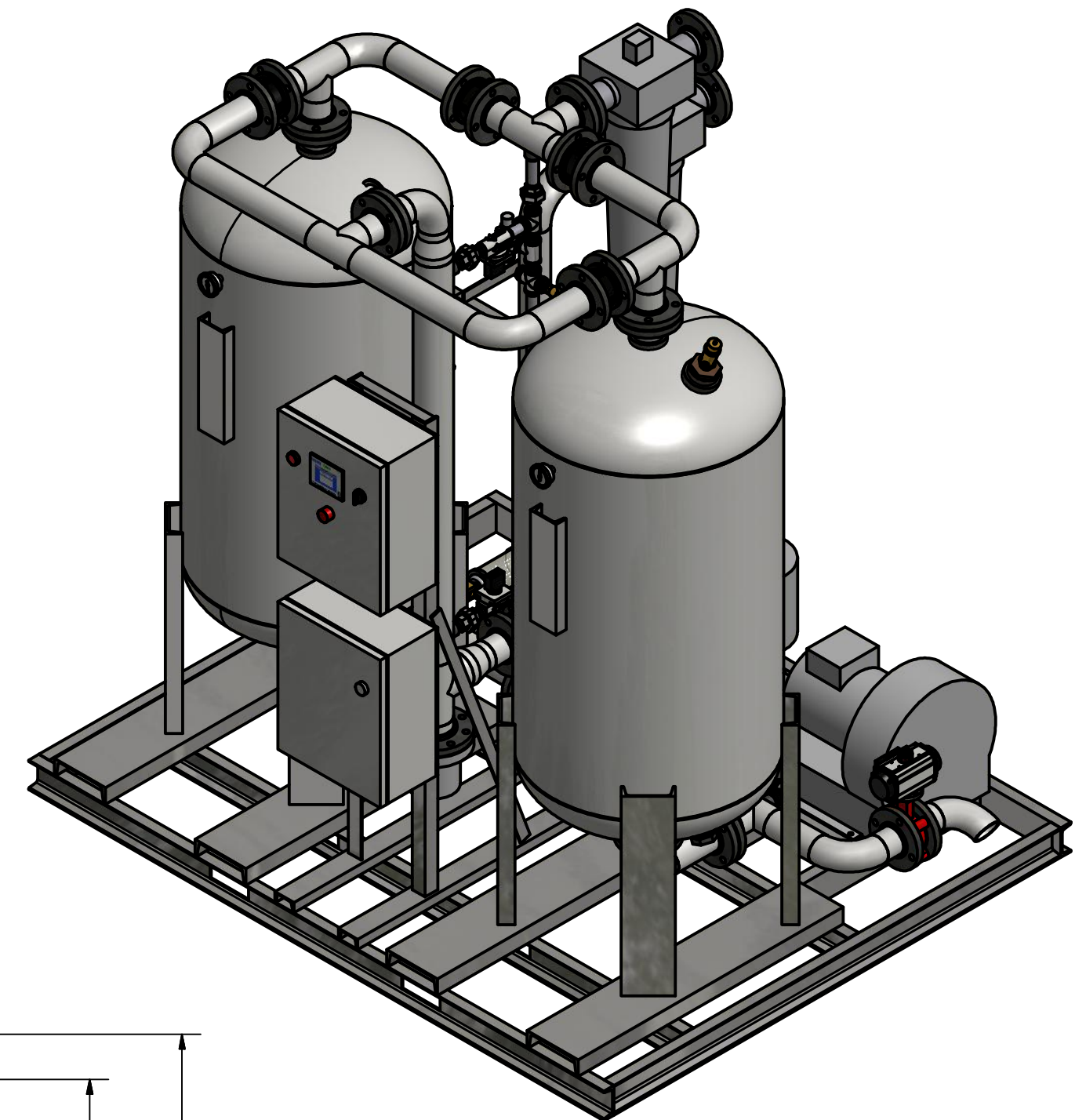
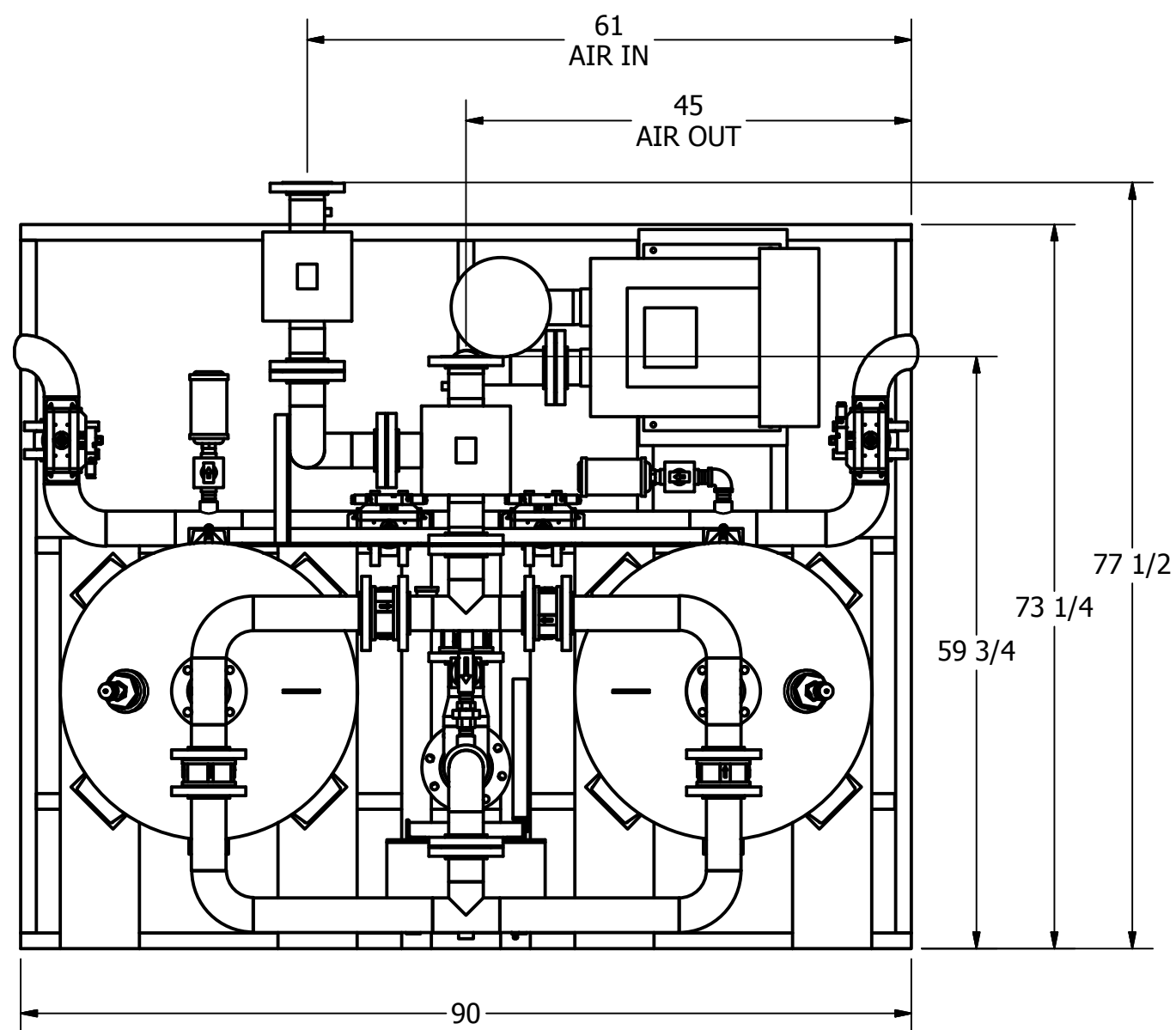
REV.  
**F**

DRAWN: MR  
CHECKED:

DATE: 3/29/2016  
DATE:

SCALE: N/A

SHEET: 1 OF 2



**PRELIMINARY**



# HBP-1500-4 BLOWER PURGE DESICCANT AIR DRYER GENERAL ARRANGEMENT

TOLERANCES UNLESS  
OTHERWISE SPECIFIED:

- FRACTIONS = ± 1/4 "
- ANGLES = ± 3°
- INCHES = ± 1/2 "
- FINISH = 250

THE SPECIFICATIONS AND DRAWINGS DISCLOSED HEREIN ARE THE SOLE PROPERTY OF ALTEC AIR, AND SHALL NOT BE  
COPIED OR USED AS THE BASIS FOR SALE OR MANUFACTURE WITHOUT EXPRESS WRITTEN PERMISSION.

### REVISION LOG

REV.	ECO.	DESCRIPTION	DATE	APPROVED
F	1091	PRODUCTION UPDATES	2/8/2021	WS

DRAWING NO.

AT20-495

REV.  
F

DRAWN: MR      DATE: 3/29/2016  
CHECKED:      DATE:

SCALE: N/A

SHEET: 2 OF 2

### PARTS LIST

ITEM	QTY	DESCRIPTION
1	2	CHECK VALVE, PURGE
2	2	CHECK VALVE, OUTLET
3	1	SOLENOID VALVE, REPRESS
4	1	PRESSURE REGULATOR, CONTROL
5	1	PRESSURE GAUGE, CONTROL
6	1	PARTICULATE AFTER-FILTER
7	1	MOISTURE INDICATOR
8	1	DEW POINT PROBE (OPTIONAL)
9	1	COALESCING PRE-FILTER
10	1	SOLENOID VALVE, 2%
11	1	CHECK VALVE, BLOWER
12	2	RELIEF VALVE, TANK
13	2	PRESSURE GAUGE, TANK
14	1	25KW HEATER
15	2	BUTTERFLY VALVE, INLET
16	1	ZERO LOSS DRAIN
17	1	FILTER, BLOWER
18	1	5 HP BLOWER
19	2	BUTTERFLY VALVE, EXHAUST
20	2	MUFFLER, EXHAUST
21	2,250 LBS	DESSICANT

**PRELIMINARY**

