



HBS-0100-1 SINGLE TOWER DESICCANT AIR DRYER GENERAL ARRANGEMENT

TOLERANCES UNLESS OTHERWISE SPECIFIED:

- FRACTIONS = ± 1/4 "
- ANGLES = ± 3°
- INCHES = ± 1/2 "
- FINISH = 250

THE SPECIFICATIONS AND DRAWINGS DISCLOSED HEREIN ARE THE SOLE PROPERTY OF ALTEC AIR, AND SHALL NOT BE COPIED OR USED AS THE BASIS FOR SALE OR MANUFACTURE WITHOUT EXPRESS WRITTEN PERMISSION.

REVISION LOG

REV.	ECO.	DESCRIPTION	DATE	APPROVED
C	1059	PRODUCTION UPDATES	12/15/2020	WS

DRAWING NO.

AT20-875

REV.
C

DRAWN: WA

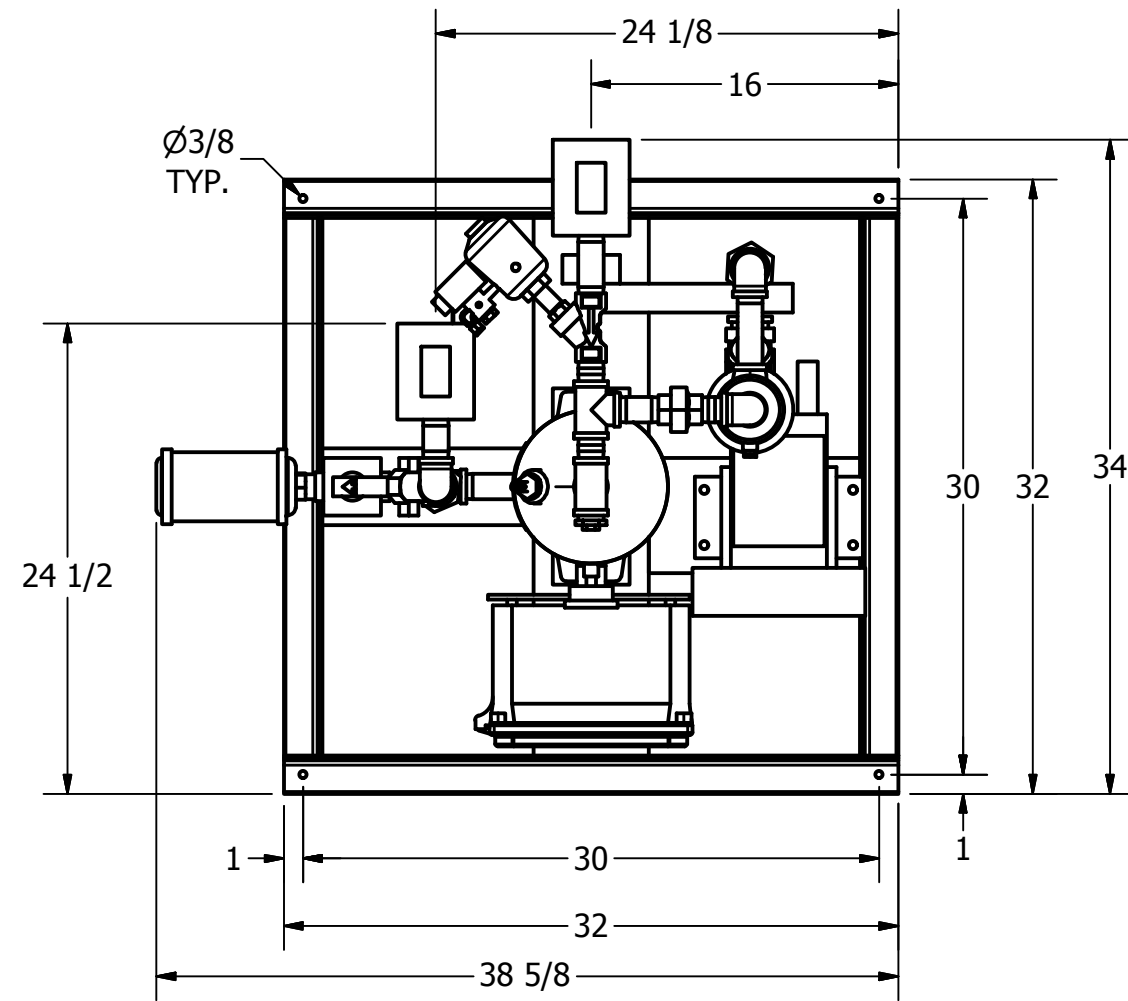
DATE: 1/27/2017

CHECKED:

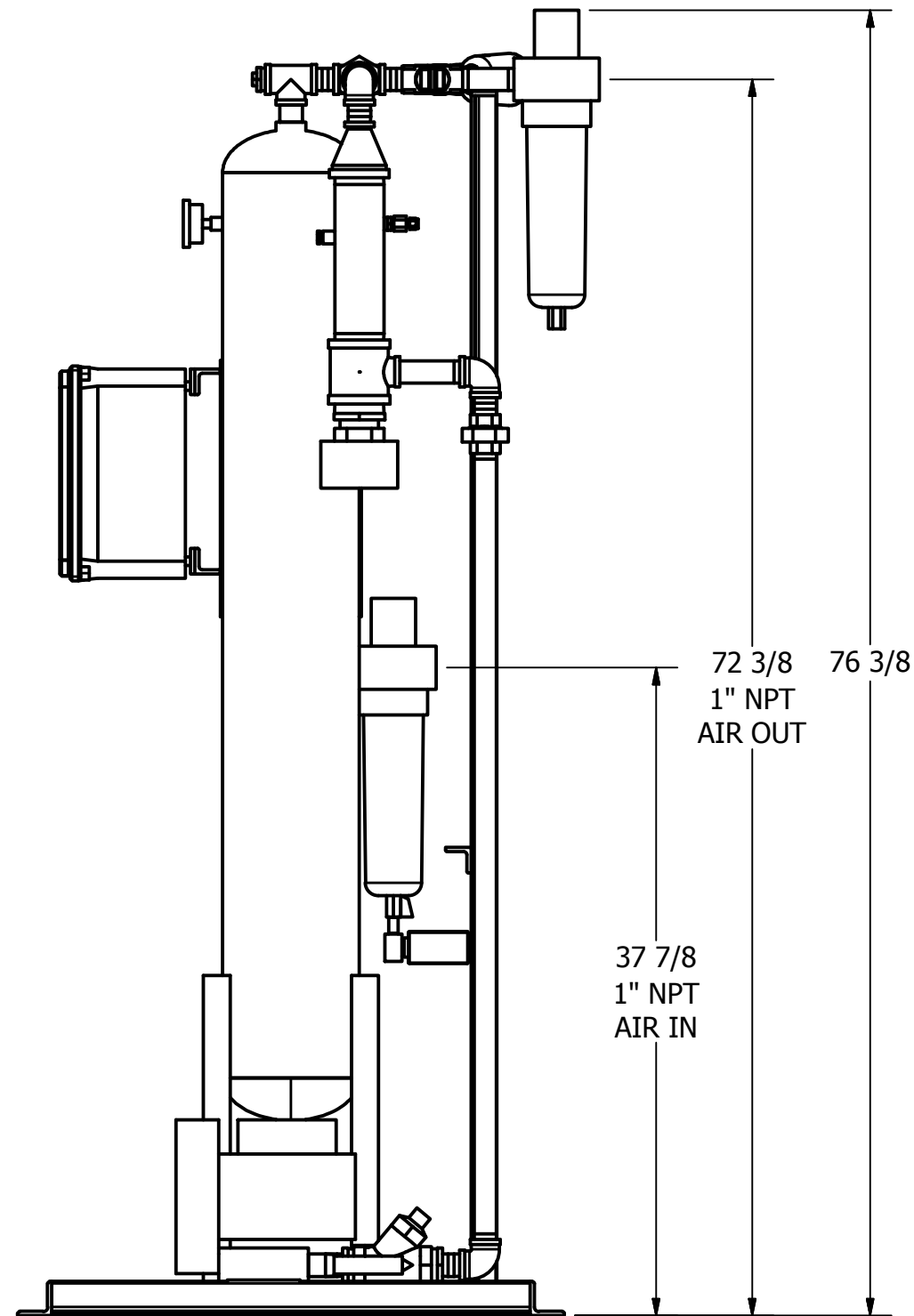
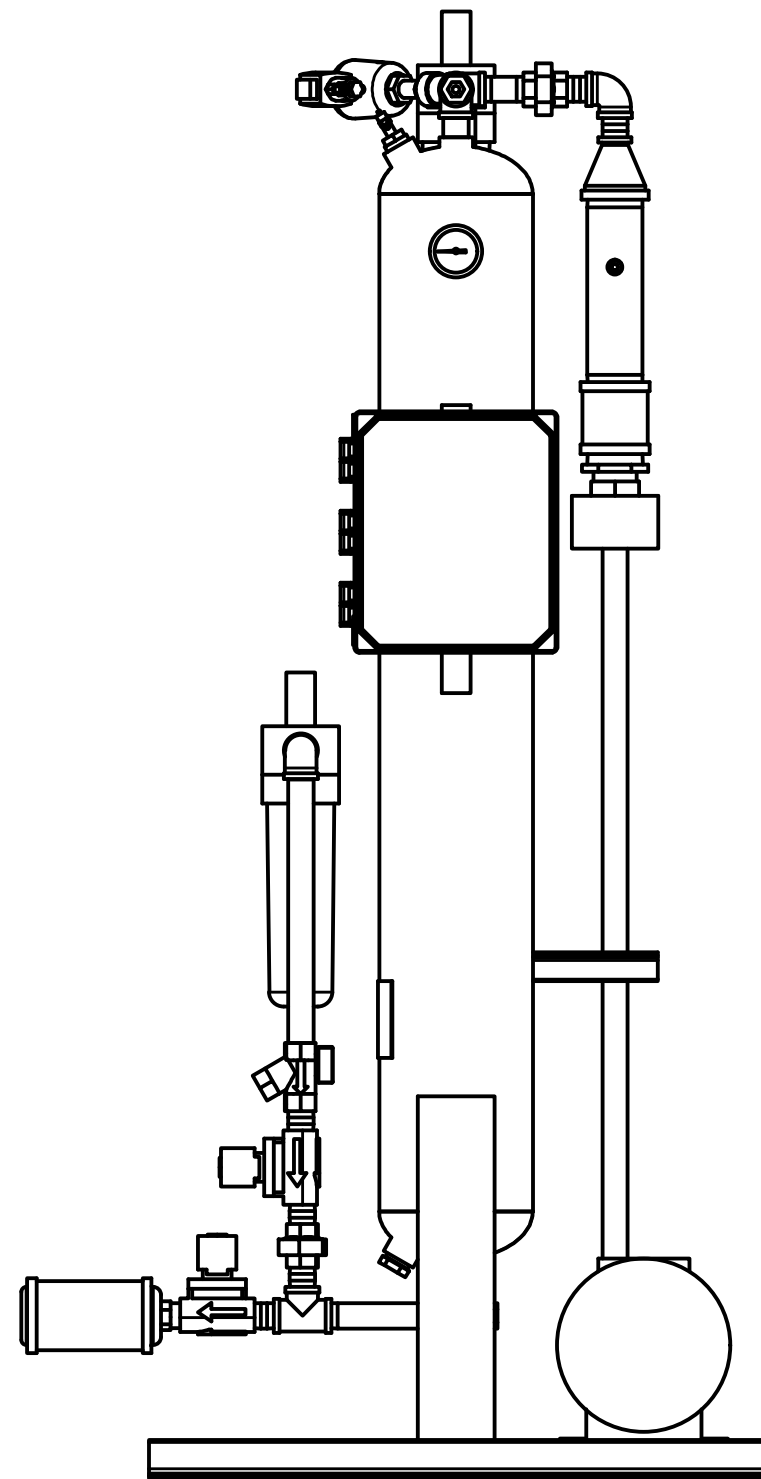
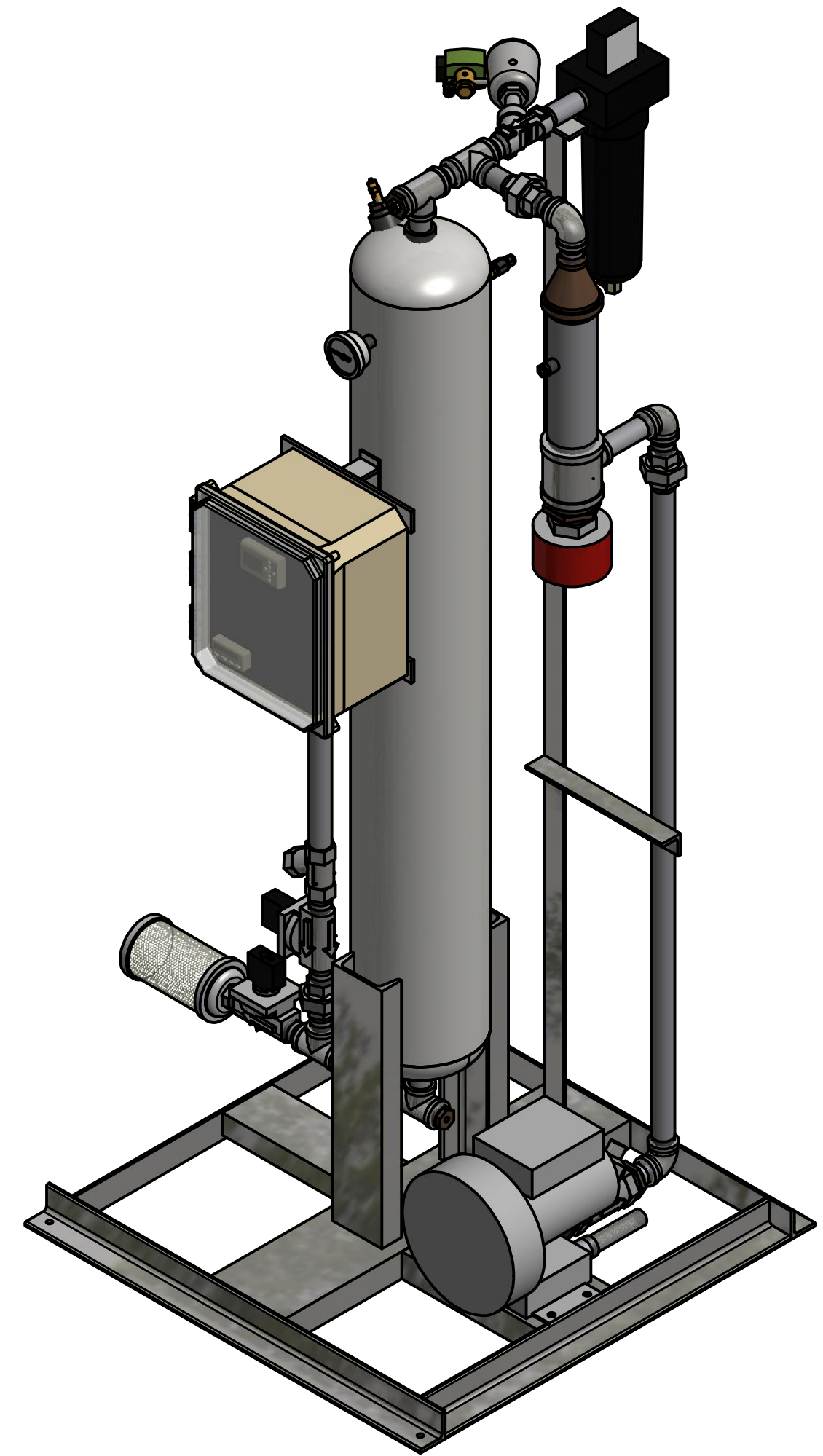
DATE:

SCALE: N/A

SHEET: 1 OF 2



PRELIMINARY



72 3/8
1" NPT
AIR OUT

76 3/8

37 7/8
1" NPT
AIR IN



HBS-0100-1 SINGLE TOWER DESICCANT AIR DRYER GENERAL ARRANGEMENT

TOLERANCES UNLESS OTHERWISE SPECIFIED:

- FRACTIONS = ± 1/4 "
- ANGLES = ± 3°
- INCHES = ± 1/2 "
- FINISH = 250

THE SPECIFICATIONS AND DRAWINGS DISCLOSED HEREIN ARE THE SOLE PROPERTY OF ALTEC AIR, AND SHALL NOT BE COPIED OR USED AS THE BASIS FOR SALE OR MANUFACTURE WITHOUT EXPRESS WRITTEN PERMISSION.

REVISION LOG

REV.	ECO.	DESCRIPTION	DATE	APPROVED
C	1059	PRODUCTION UPDATES	12/15/2020	WS

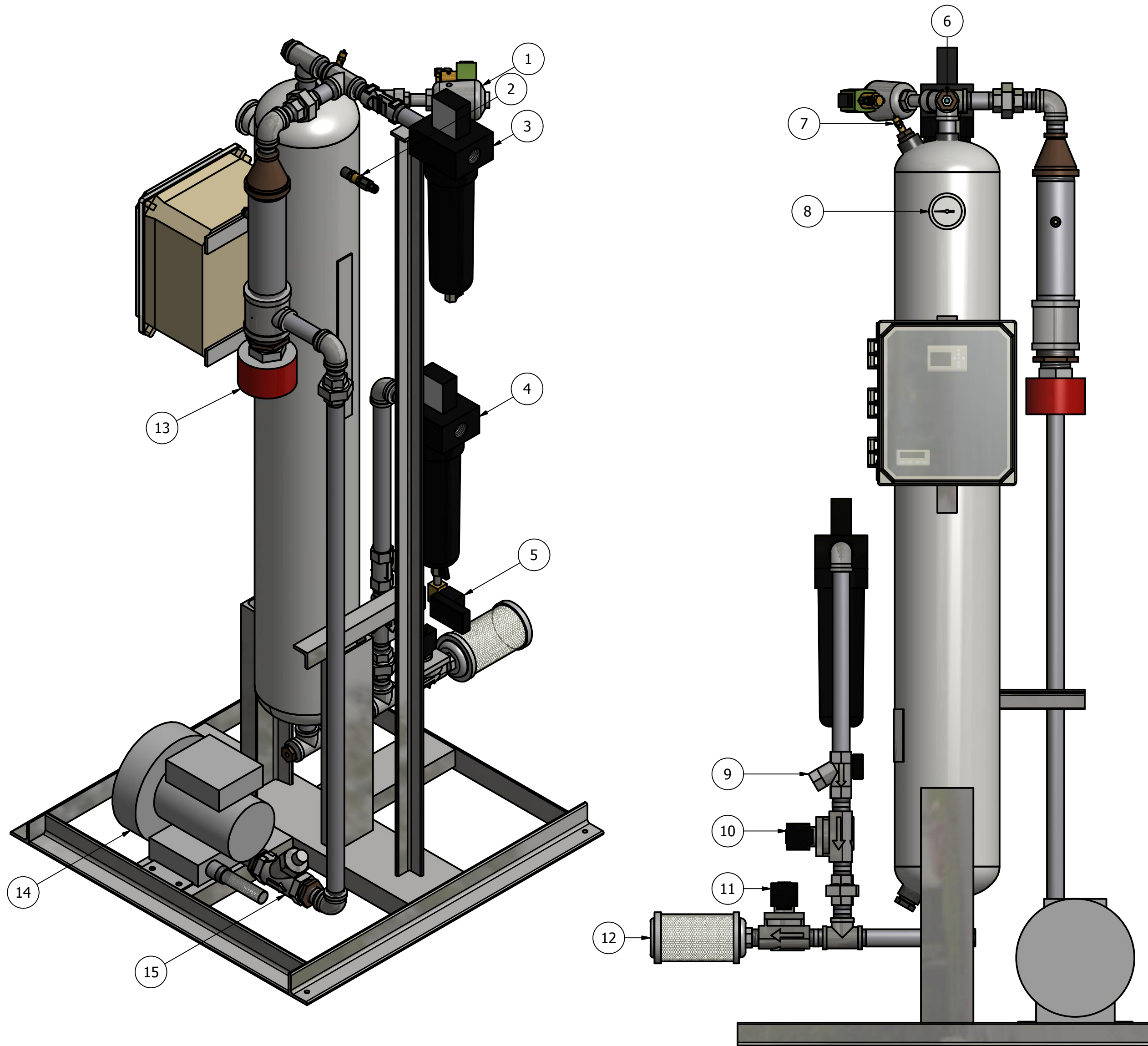
DRAWING NO. **AT20-875** REV. **C**

DRAWN: WA DATE: 1/27/2017
CHECKED: DATE:

SCALE: N/A SHEET: 2 OF 2

PARTS LIST

ITEM	QTY	DESCRIPTION
1	1	ANGLE BODY VALVE, OUTLET
2	1	FILTER, CONTROL
3	1	PARTICULATE AFTER FILTER
4	1	COALESCER PRE-FILTER
5	1	TIMED DRAIN
6	1	MOISTURE INDICATOR
7	1	RELIEF VALVE, TANK
8	1	PRESSURE GAUGE, TANK
9	1	CHECK VALVE, INLET
10	1	SOLENOID VALVE, INLET
11	1	SOLENOID VALVE, EXHAUST
12	1	MUUFFLER, EXHAUST
13	1	1.5 KW HEATER
14	1	0.5 HP BLOWER
15	1	CHECK VALVE, BLOWER
16	75 LBS	DESICCANT



PRELIMINARY