



HBS-1000-4 SINGLE TOWER DESICCANT AIR DRYER GENERAL ARRANGEMENT

TOLERANCES UNLESS OTHERWISE SPECIFIED:

- FRACTIONS = ± 1/4 "
- ANGLES = ± 3°
- INCHES = ± 1/2 "
- FINISH = 250

THE SPECIFICATIONS AND DRAWINGS DISCLOSED HEREIN ARE THE SOLE PROPERTY OF ALTEC AIR, AND SHALL NOT BE COPIED OR USED AS THE BASIS FOR SALE OR MANUFACTURE WITHOUT EXPRESS WRITTEN PERMISSION.

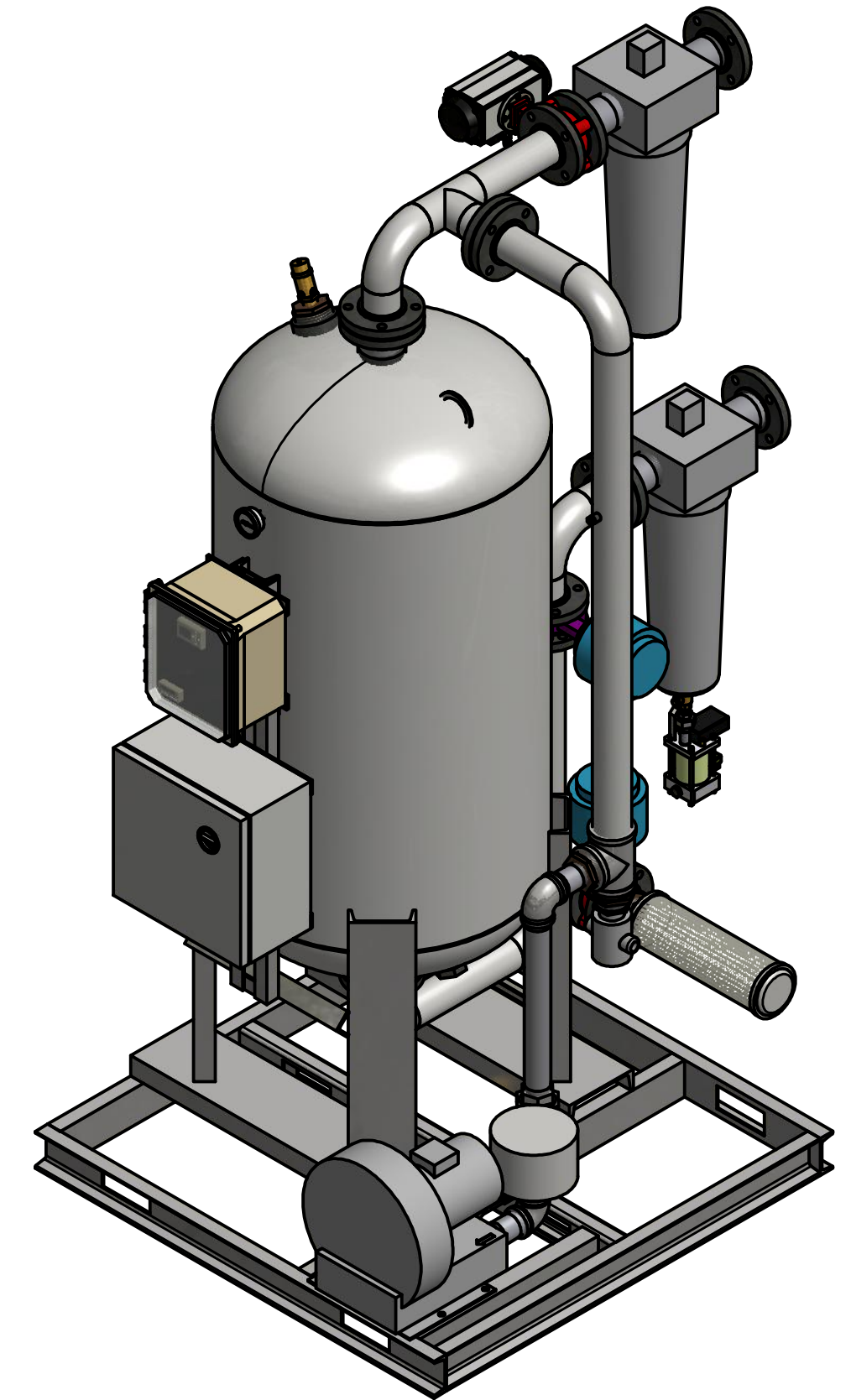
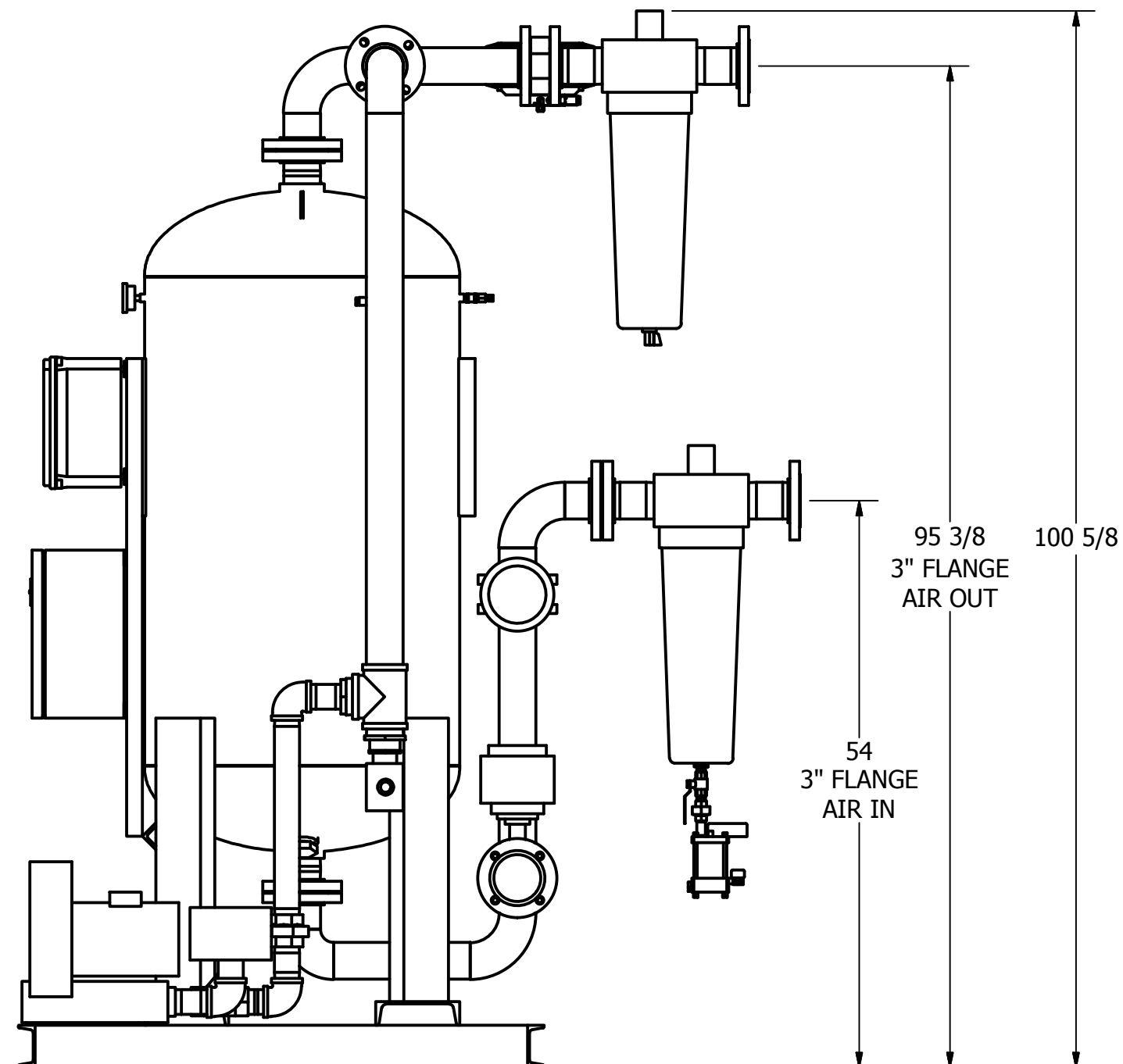
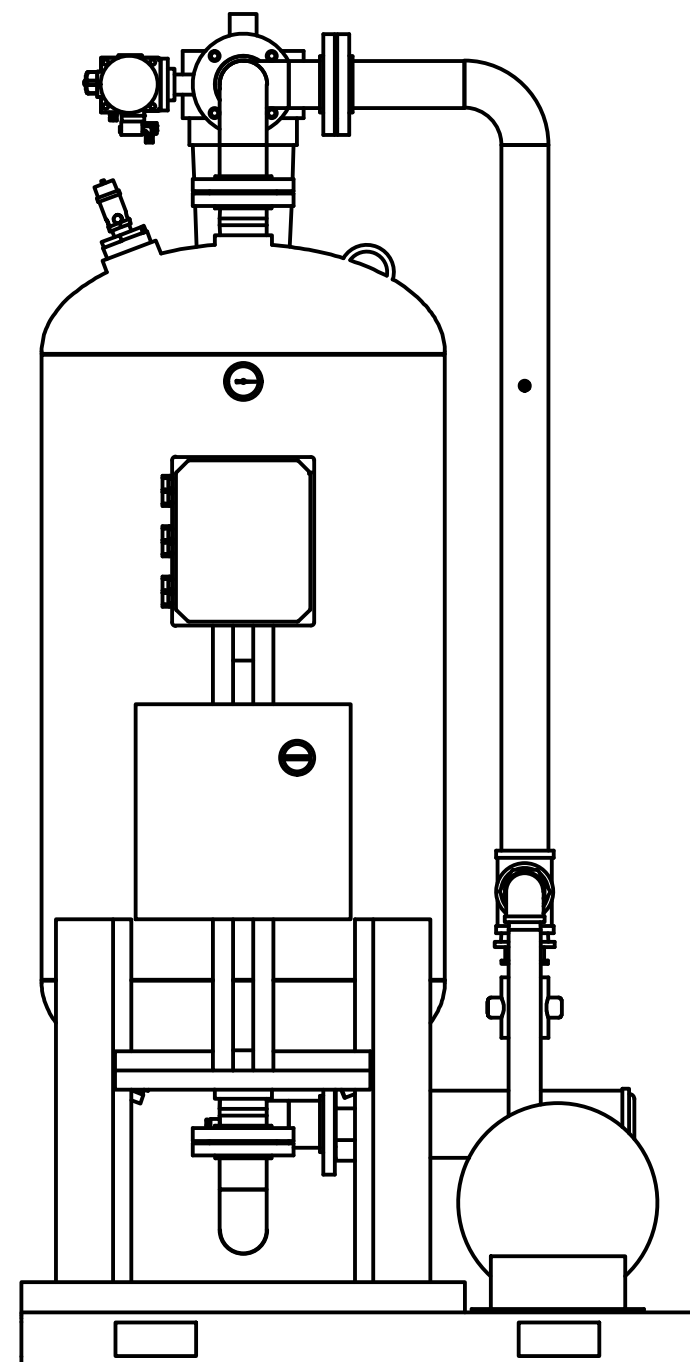
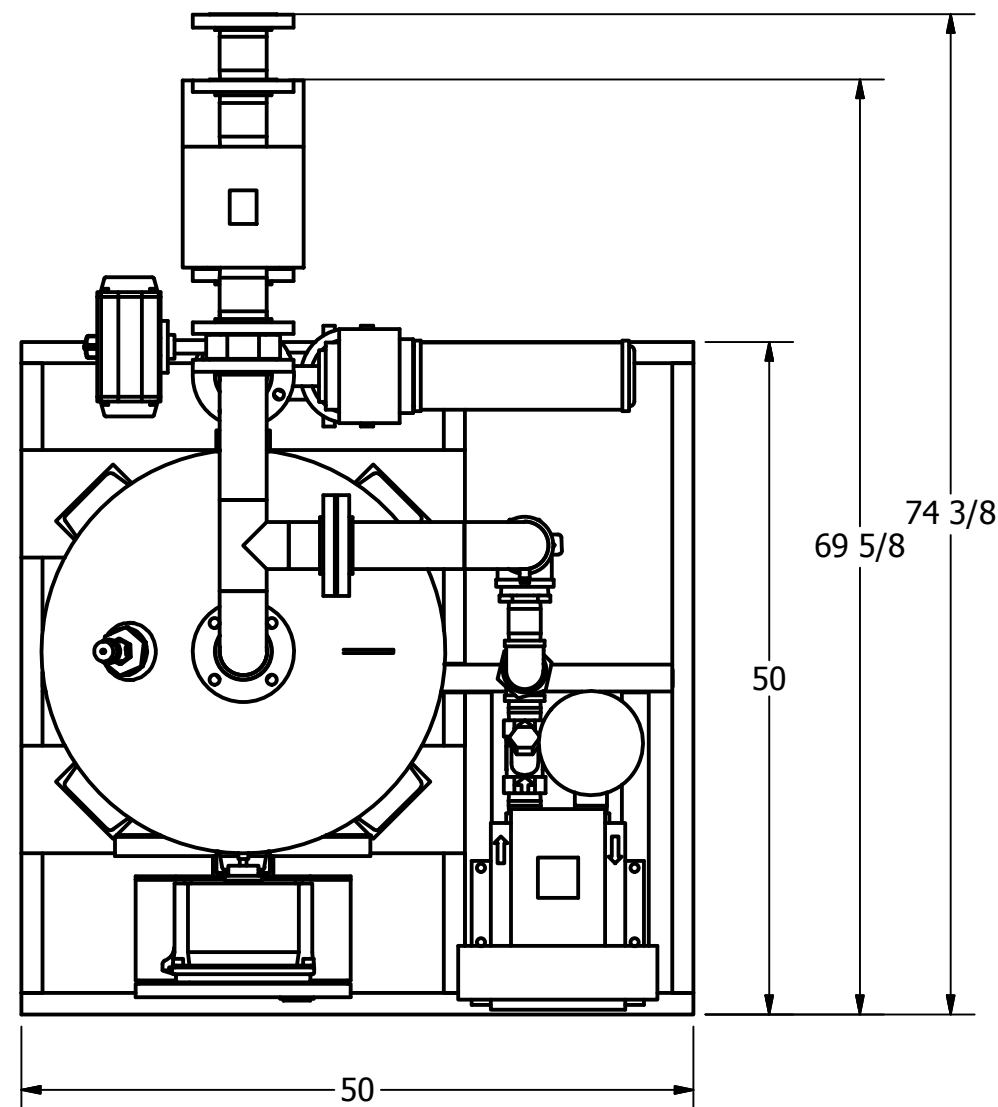
REVISION LOG

REV.	ECO.	DESCRIPTION	DATE	APPROVED
E	1206	PRODUCTION UPDATES	12/3/2021	WA

DRAWING NO. **AT20-205** REV. **E**

DRAWN: MR DATE: 4/2/2015
CHECKED: DATE:

SCALE: N/A SHEET: 1 OF 2



PRELIMINARY



HBS-1000-4 SINGLE TOWER DESICCANT AIR DRYER GENERAL ARRANGEMENT

TOLERANCES UNLESS OTHERWISE SPECIFIED:

- FRACTIONS = ± 1/4 "
- ANGLES = ± 3°
- INCHES = ± 1/2 "
- FINISH = 250

THE SPECIFICATIONS AND DRAWINGS DISCLOSED HEREIN ARE THE SOLE PROPERTY OF ALTEC AIR, AND SHALL NOT BE COPIED OR USED AS THE BASIS FOR SALE OR MANUFACTURE WITHOUT EXPRESS WRITTEN PERMISSION.

REVISION LOG

REV.	ECO.	DESCRIPTION	DATE	APPROVED
E	1206	PRODUCTION UPDATES	12/3/2021	WA

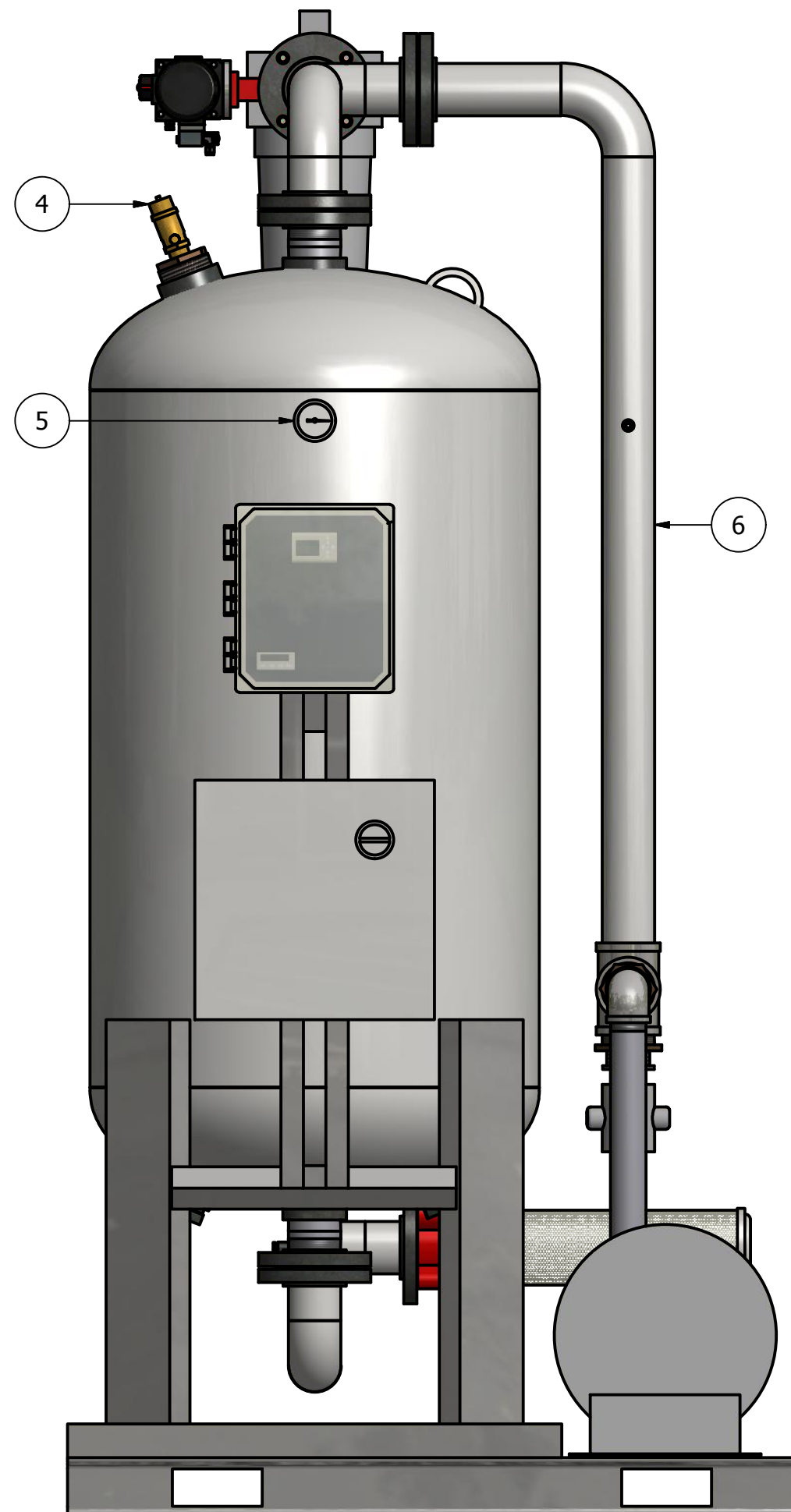
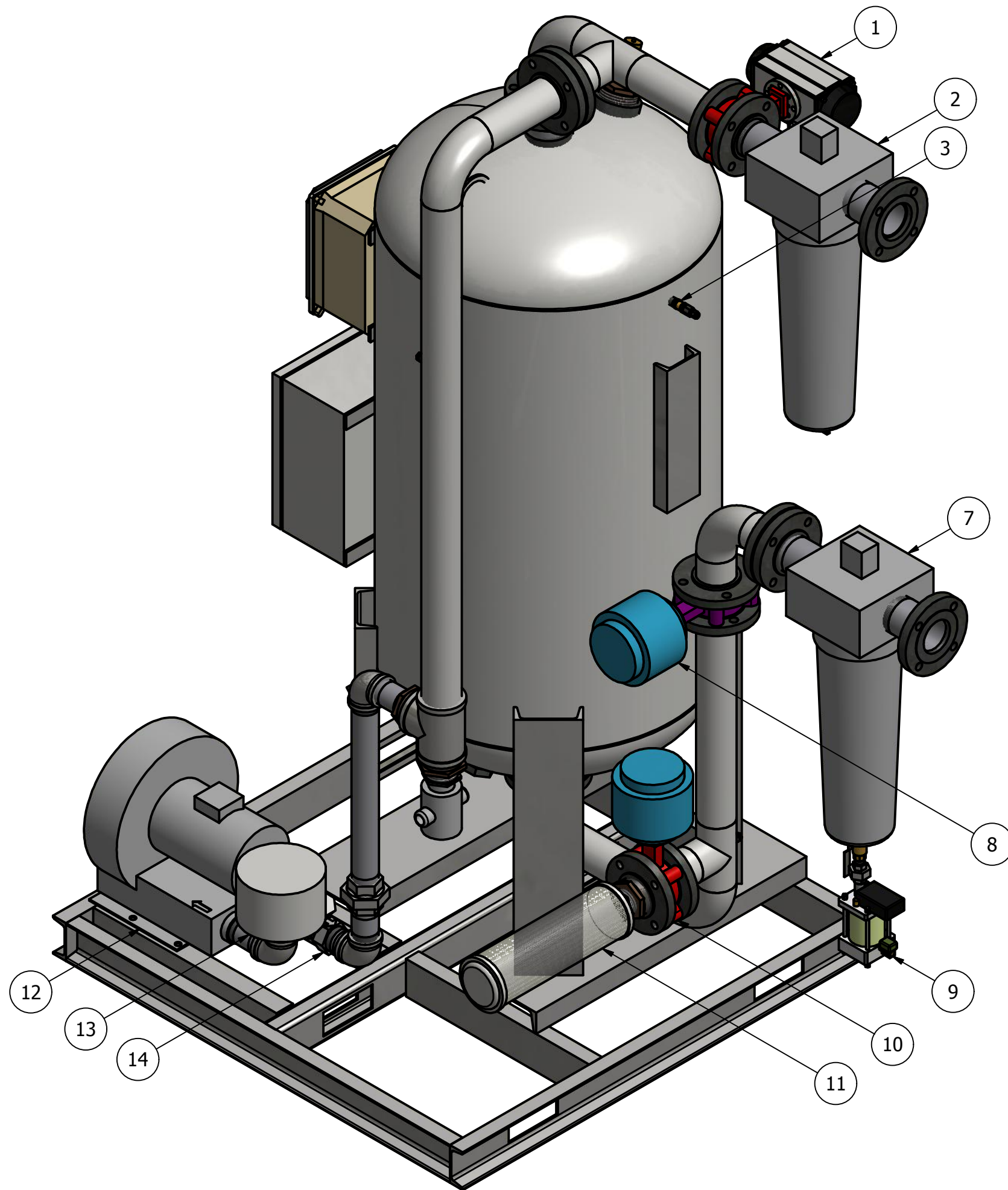
DRAWING NO. **AT20-205** REV. **E**

DRAWN: MR DATE: 4/2/2015
CHECKED: DATE:

SCALE: N/A SHEET: 2 OF 2

PARTS LIST

ITEM	QTY	DESCRIPTION
1	1	BUTTERFLY VALVE, OUTLET
2	1	PARTICULATE AFTER-FILTER
3	1	FILTER, CONTROL
4	1	RELIEF VALVE, TANK
5	1	PRESSURE GAUGE, TANK
6	1	9 KW HEATER
7	1	COALESCER PRE-FILTER
8	1	BUTTERFLY VALVE, INLET
9	1	ZERO LOSS DRAIN
10	1	BUTTERFLY VALVE, EXHAUST
11	1	MUFFLER, EXHAUST
12	1	3 HP BLOWER
13	1	INTAKE FILTER, BLOWER
14	1	CHECK VALVE, BLOWER
15	950 LBS	DESICCANT



PRELIMINARY