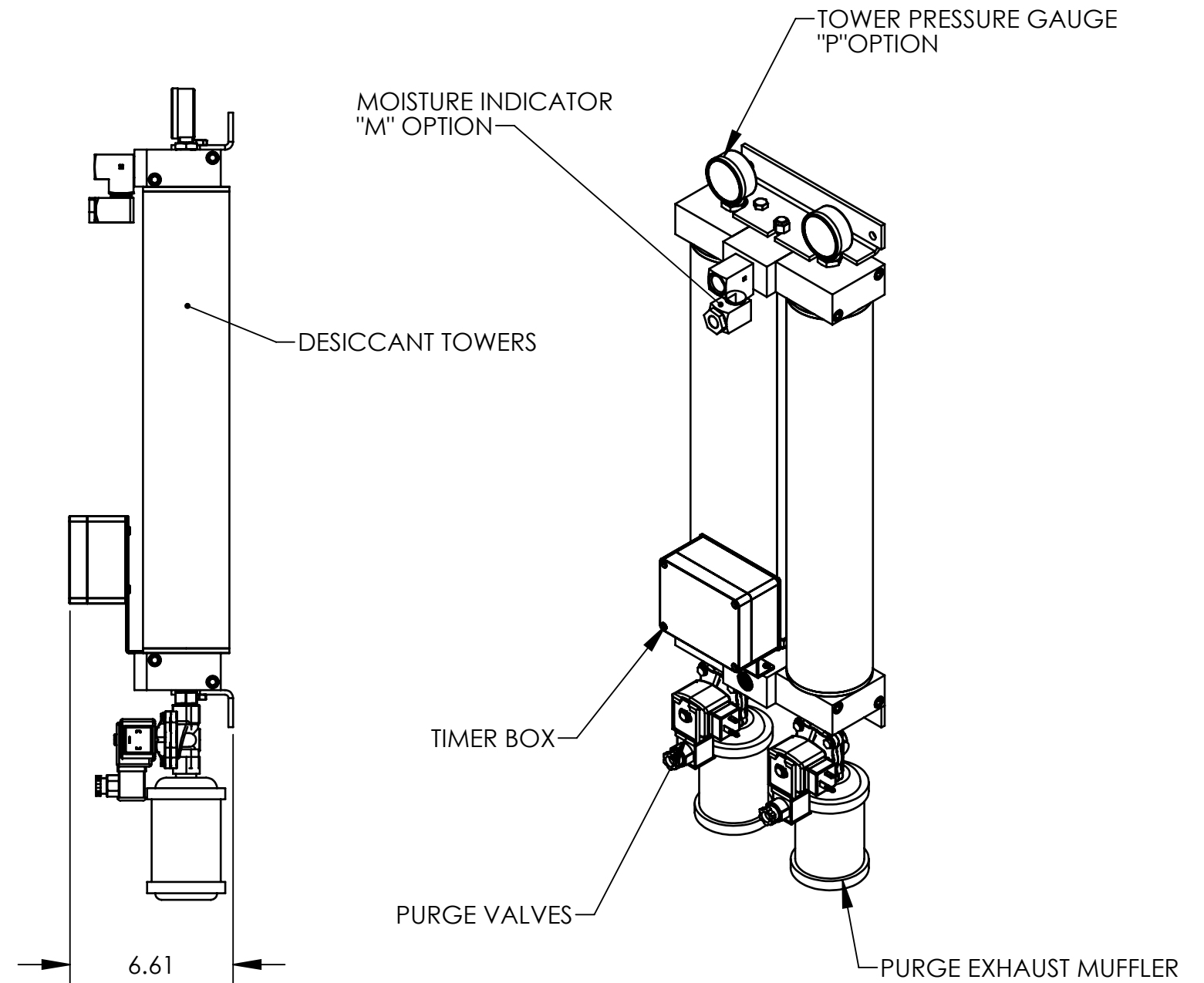
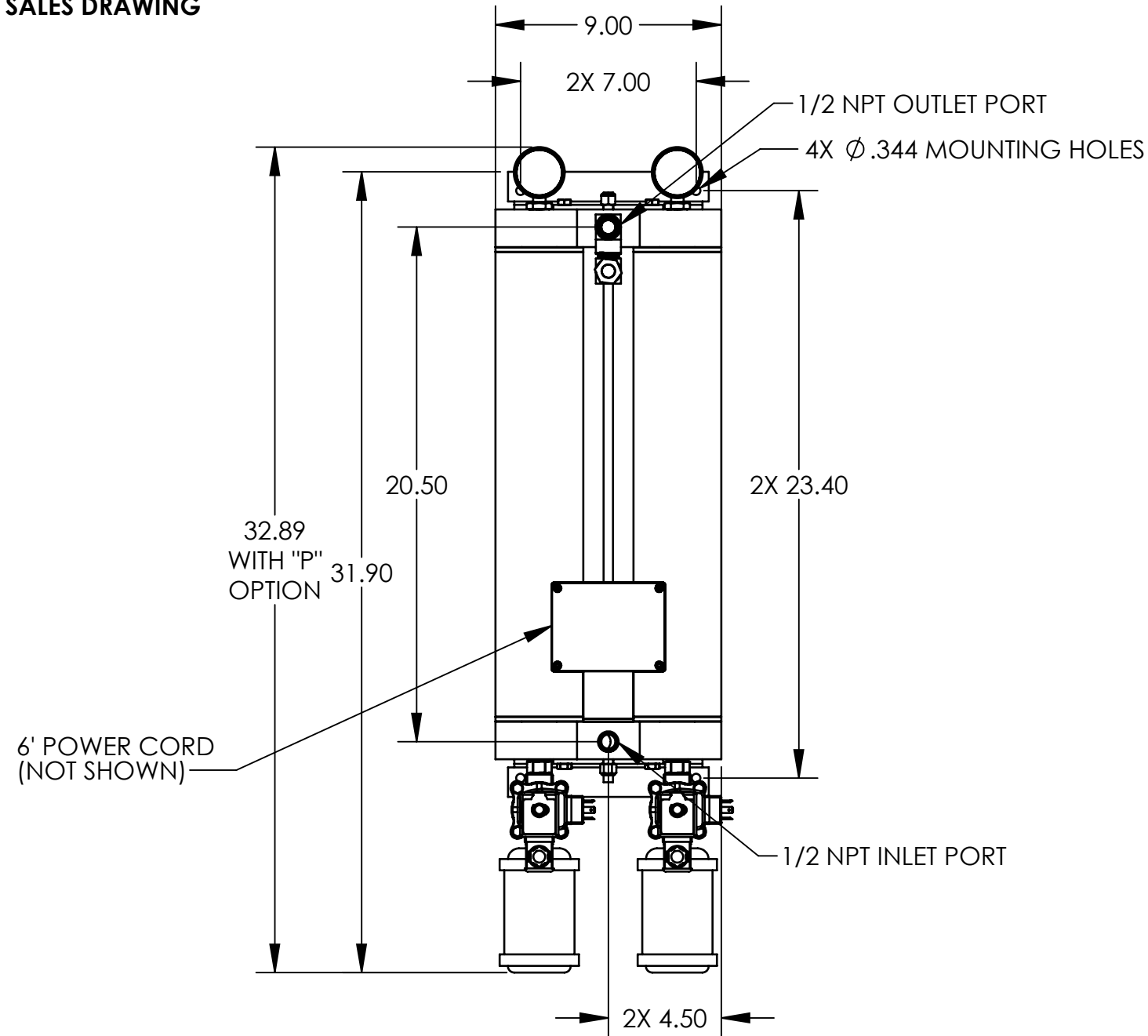


SALES DRAWING



VOLTAGE	POWER CORD TYPE	POWER
115 VAC	TYPE B	9 WATTS
230 VAC	STRIP LEADS (3)	
12 VDC	STRIP LEADS (2)	
24 VDC	STRIP LEADS (2)	

NOTES:

1. ELECTRICAL RATING: NEMA 4
2. PURGE CYCLE: 66 SECOND PURGE 24 SECONDS RE-PRESSURIZING
3. WEIGHT = 29 LBS

DRAWN	MBD	UNLESS OTHERWISE NOTED, TOLERANCES ARE: FRACTIONS: ±1/16 ANGLES: ±0°30' DECIMAL: .X = ±.06 .XX = ±.03 .XXX = ±.015 .XXXX = ±.0030 MACHINED SURFACES: 125 MICROINCHES THESE TOLERANCES DO NOT APPLY TO BASIC DIMENSIONS. DO NOT SCALE THIS PRINT, REMOVE ALL BURRS & SHARP EDGES, ALL DIMENSIONS ARE IN INCHES. CAD SOFTWARE: SOLIDWORKS. DRAWING DIMENSIONED TO ALTEC STANDARD: CDS-0007.
APPROVED	-	
DATE	06/08/2020	
MATERIAL		
FINISH		TITLE: HR5 SERIES <small>CONFIDENTIAL: This drawing and its contents are the proprietary and confidential information of Altec Industries, Inc. and are not to be reproduced, copied or publicly disclosed. If this drawing is provided to someone outside Altec, it is done so for the limited purpose of assisting that recipient with a technical or product issue. In receiving this drawing, the recipient agrees to maintain it in confidence and not to use it beyond the purpose previously stated. Recipient agrees not to reproduce, copy, or publicly disclose this drawing and its contents.</small>



SCALE	WEIGHT	SIZE	NUMBER	REV
1:6	-	2	HR5-XX-XXXX	A