



HRE-2000-4-3 HEAT REACTIVATED  
DESICCANT AIR DRYER  
GENERAL ARRANGEMENT

TOLERANCES UNLESS  
OTHERWISE SPECIFIED:

- FRACTIONS = ± 1/4 "
- ANGLES = ± 3°
- INCHES = ± 1/2 "
- FINISH = 250

THE SPECIFICATIONS AND DRAWINGS DISCLOSED HEREIN ARE THE SOLE PROPERTY OF ALTEC AIR, AND SHALL NOT BE COPIED OR USED AS THE BASIS FOR SALE OR MANUFACTURE WITHOUT EXPRESS WRITTEN PERMISSION.

REVISION LOG

REV.	ECO.	DESCRIPTION	DATE	APPROVED
C	1109	PRODUCTION UPDATES	3/29/2021	WS

DRAWING NO.

AT20-1054

REV.

C

DRAWN: WS

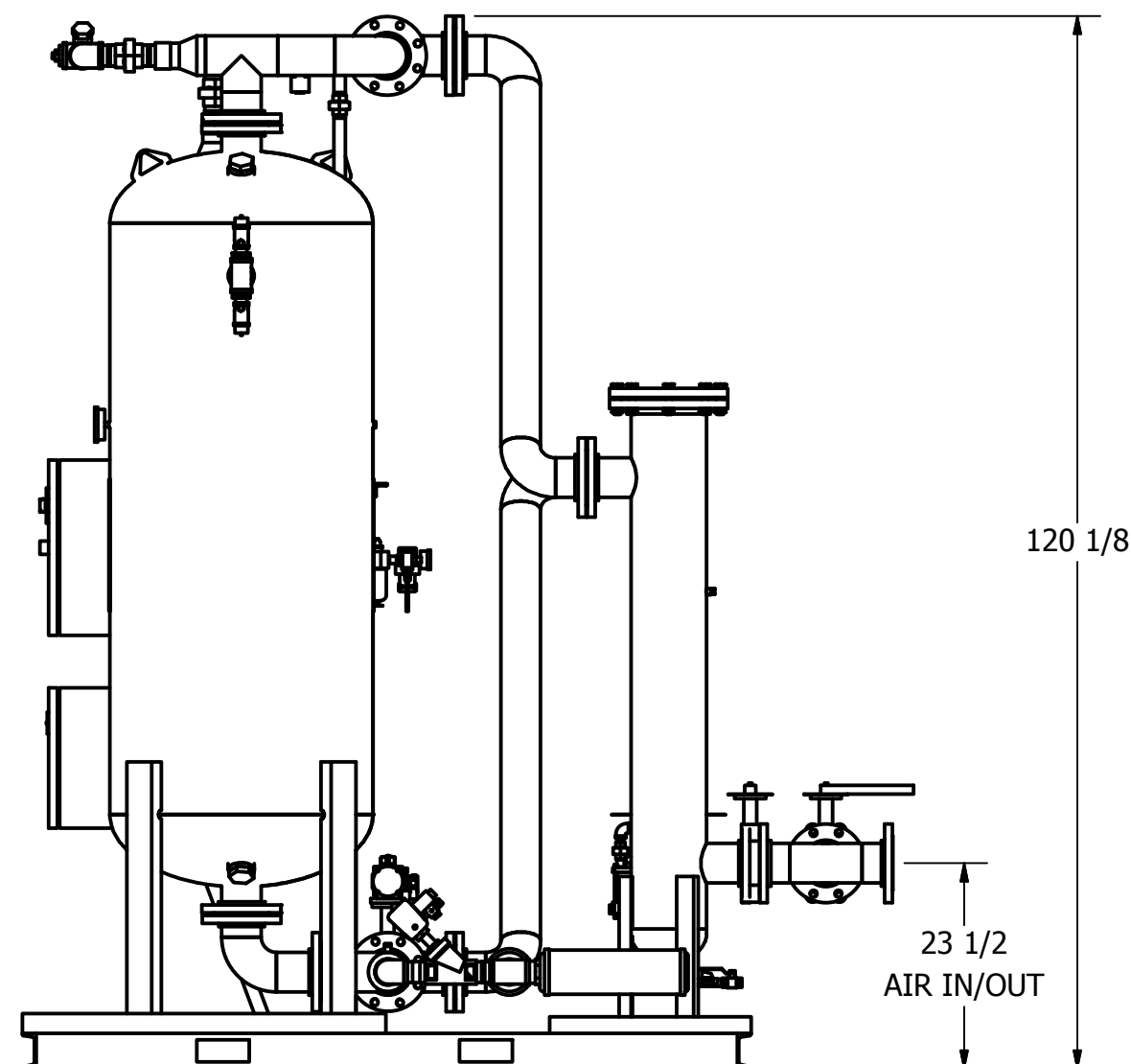
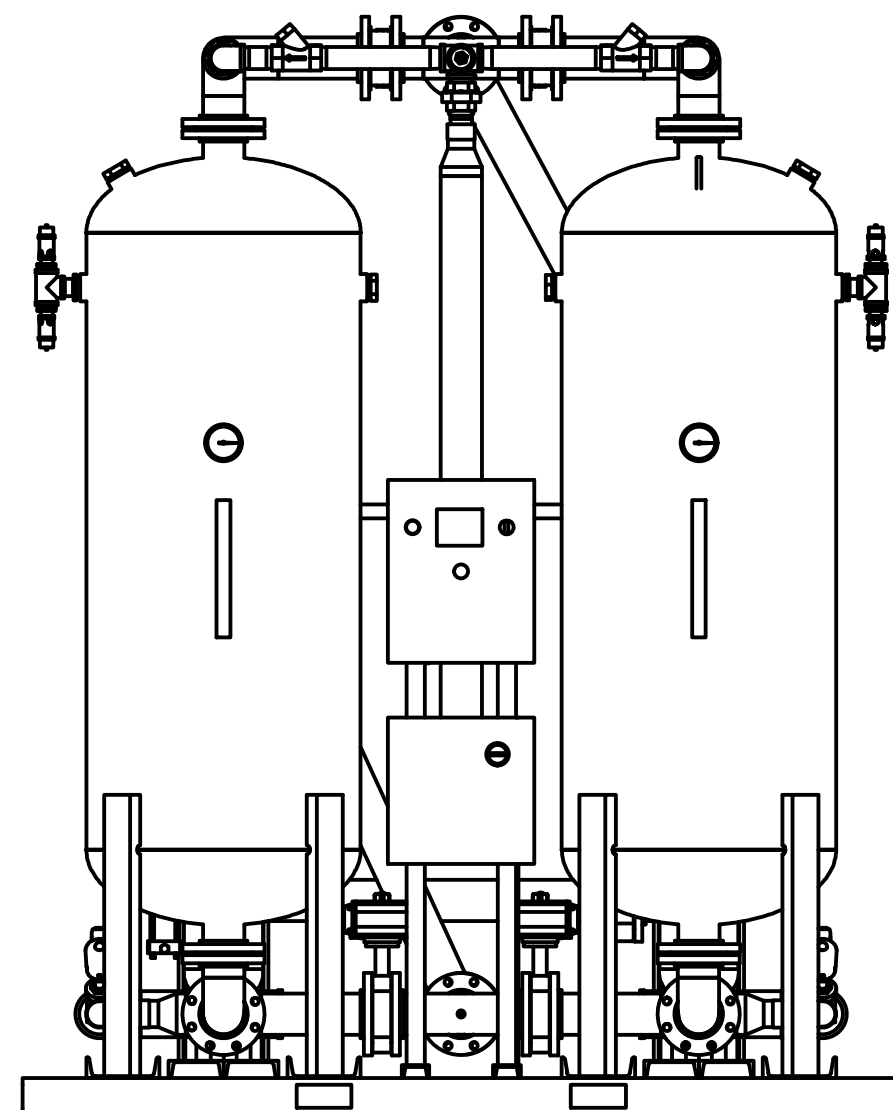
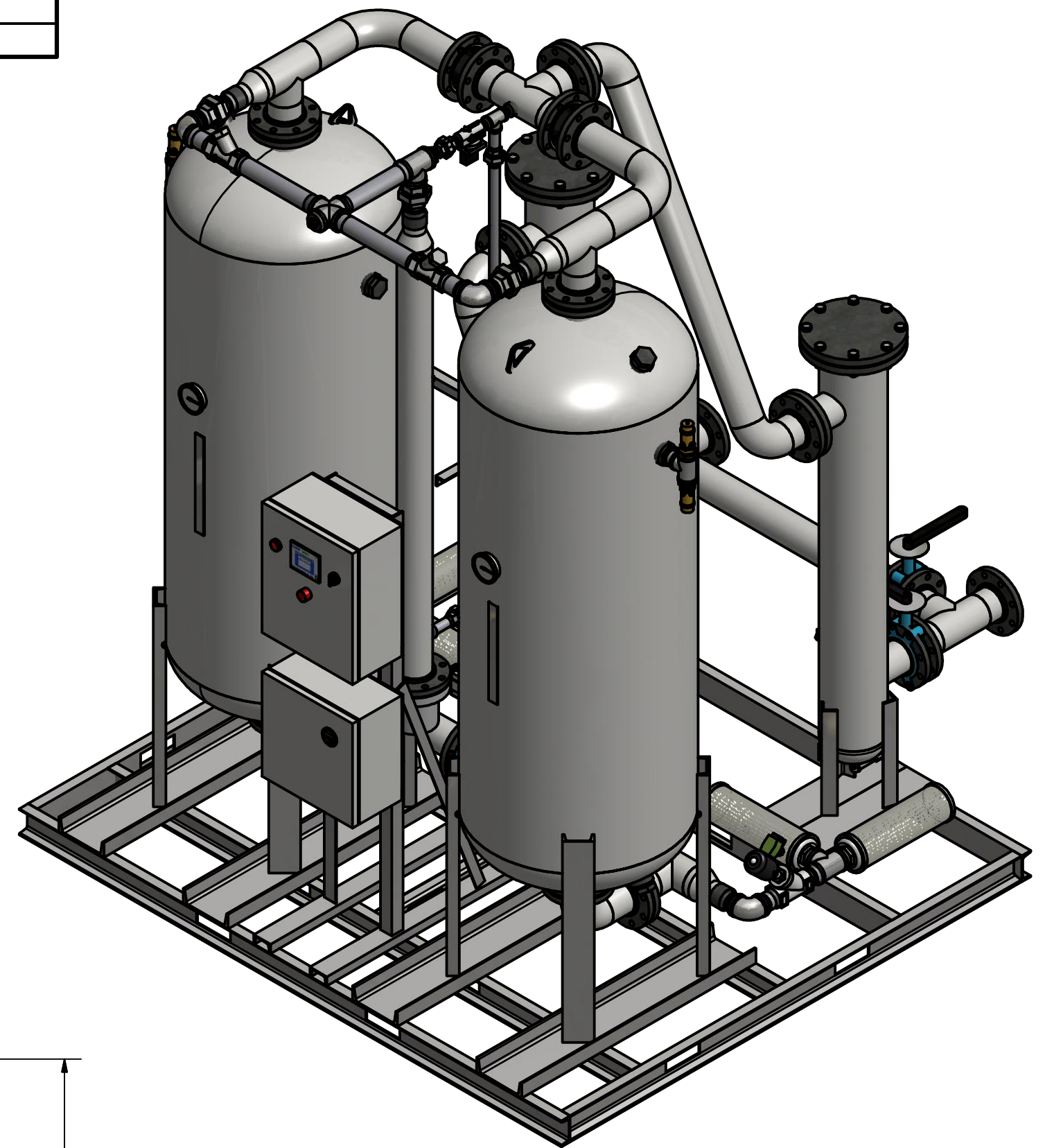
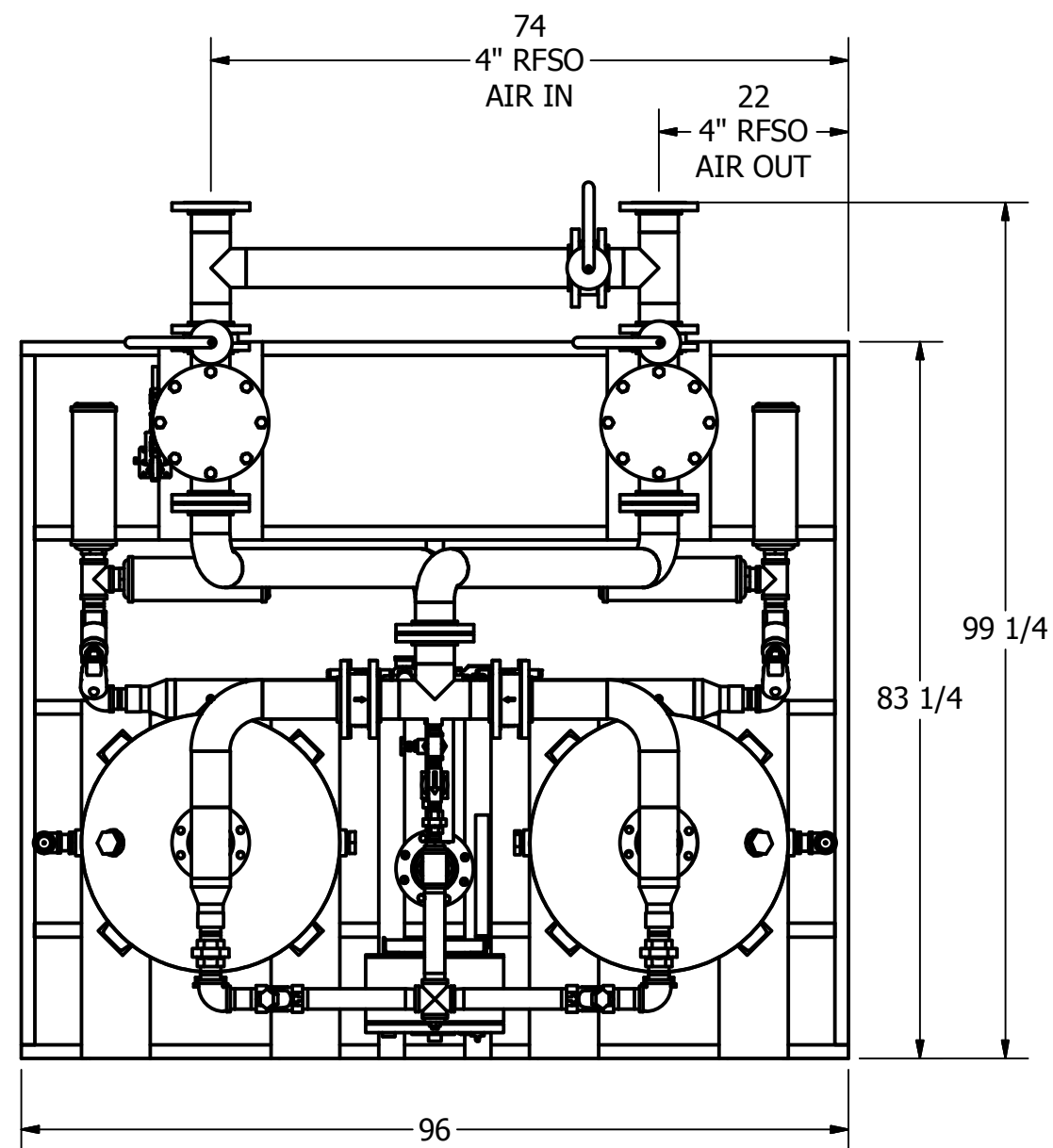
DATE: 3/15/2018

CHECKED:

DATE:

SCALE: N/A

SHEET: 1 OF 2



**PRELIMINARY**



# HRE-2000-4-3 HEAT REACTIVATED DESICCANT AIR DRYER GENERAL ARRANGEMENT

TOLERANCES UNLESS  
OTHERWISE SPECIFIED:

- FRACTIONS = ± 1/4 "
- ANGLES = ± 3°
- INCHES = ± 1/2 "
- FINISH = 250

THE SPECIFICATIONS AND DRAWINGS DISCLOSED HEREIN ARE THE SOLE PROPERTY OF ALTEC AIR, AND SHALL NOT BE  
COPIED OR USED AS THE BASIS FOR SALE OR MANUFACTURE WITHOUT EXPRESS WRITTEN PERMISSION.

### REVISION LOG

REV.	ECO.	DESCRIPTION	DATE	APPROVED
C	1109	PRODUCTION UPDATES	3/29/2021	WS

DRAWING NO. **AT20-1054** REV. **C**

DRAWN: WS DATE: 3/15/2018  
CHECKED: DATE:

SCALE: N/A SHEET: 2 OF 2

### PARTS LIST

ITEM	QTY	DESCRIPTION
1	2	CHECK VALVE, PURGE
2	1	SOLENOID VALVE, REPRESS
3	2	CHECK VALVE, OUTLET
4	1	PARTICULATE FILTER, CONTROL
5	1	REGULATOR, CONTROL
6	1	PRESSURE GAUGE, CONTROL
7	1	DEW POINT MONITOR (OPTIONAL)
8	1	GATE VALVE, PURGE
9	1	PRESSURE GAUGE, PURGE
10	4	RELIEF VALVE, TANK
11	1	25 KW HEATER
12	2	PRESSURE GAUGE, TANK
13	1	ZERO LOSS DRAIN
14	2	BUTTERFLY VALVE, INLET
15	1	COALESCER PRE-FILTER
16	2	ANGLE BODY VALVE, EXHAUST
17	1	PARTICULATE AFTER-FILTER
18	4	MUFFLER, EXHAUST
19	3	MANUAL BUTTERFLY VALVE, BYPASS
20	2800 LBS	DESICCANT

## PRELIMINARY

