



HRL-0075-1-3 HEATLESS
DESICCANT AIR DRYER
GENERAL ARRANGEMENT

TOLERANCES UNLESS
OTHERWISE SPECIFIED:

FRACTIONS = ± 1/4 "
ANGLES = ± 3°
INCHES = ± 1/2 "
FINISH = 250

THE SPECIFICATIONS AND DRAWINGS DISCLOSED HEREIN ARE THE SOLE PROPERTY OF ALTEC AIR, AND SHALL NOT BE
COPIED OR USED AS THE BASIS FOR SALE OR MANUFACTURE WITHOUT EXPRESS WRITTEN PERMISSION.

REVISION LOG

REV.	ECO.	DESCRIPTION	DATE	APPROVED
C	0675	UPDATED TANKS	4/13/2018	WS

DRAWING NO.

AT20-604

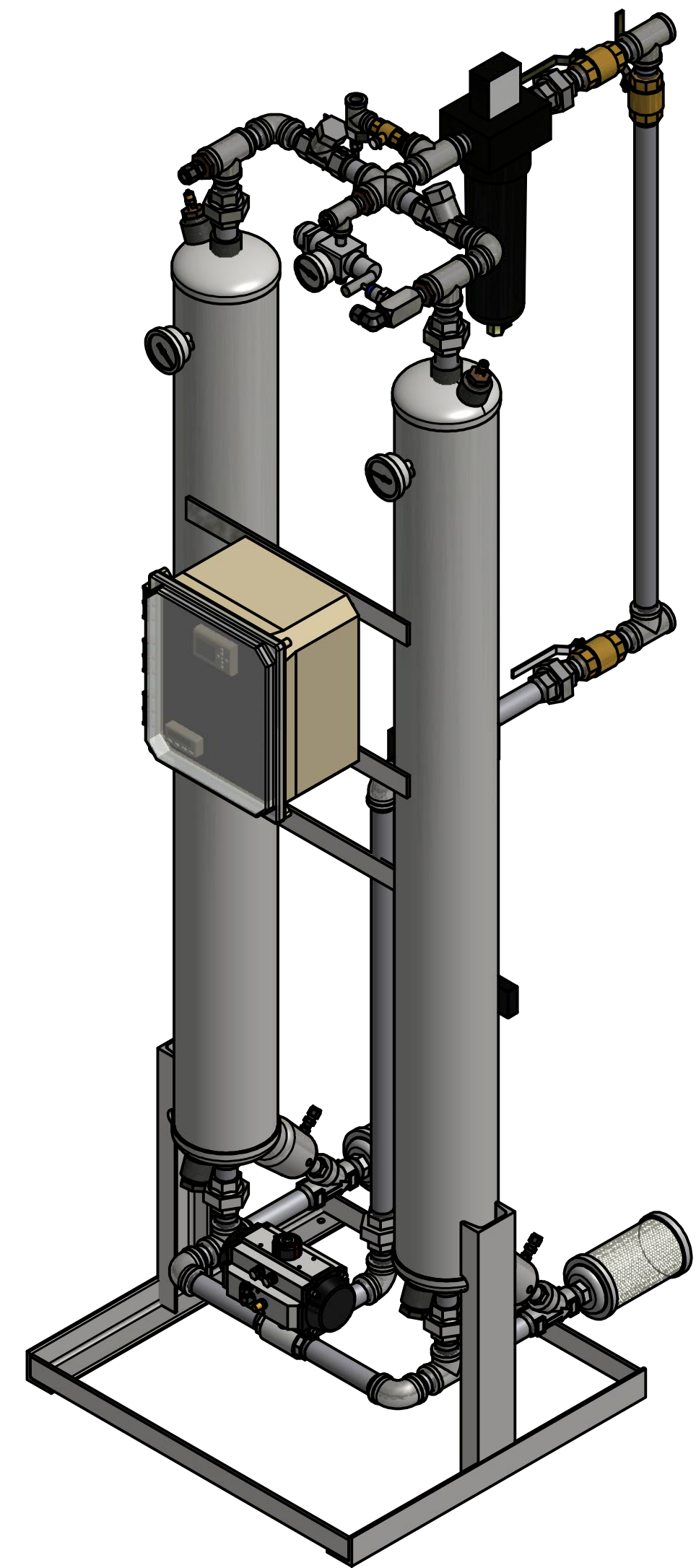
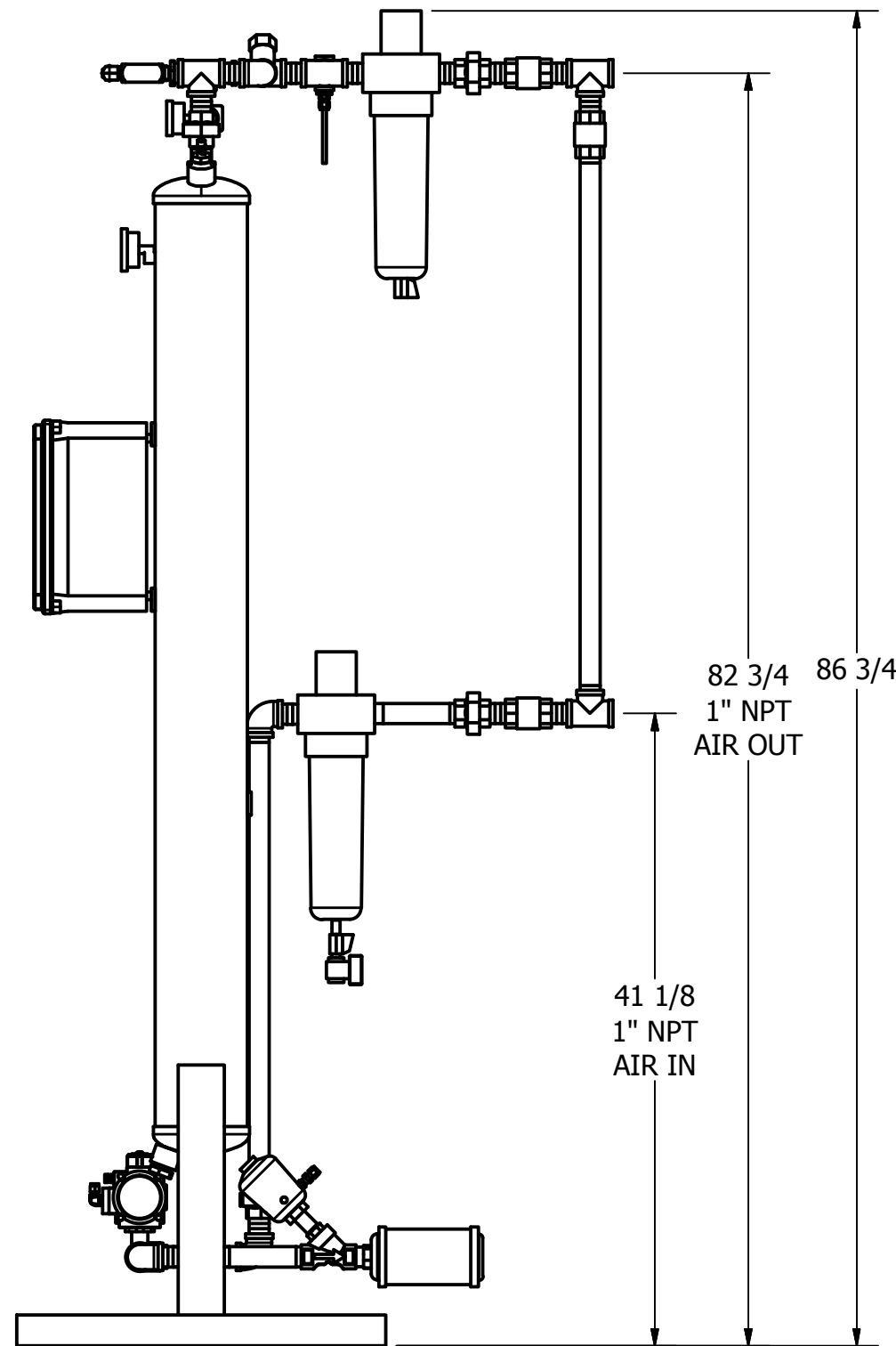
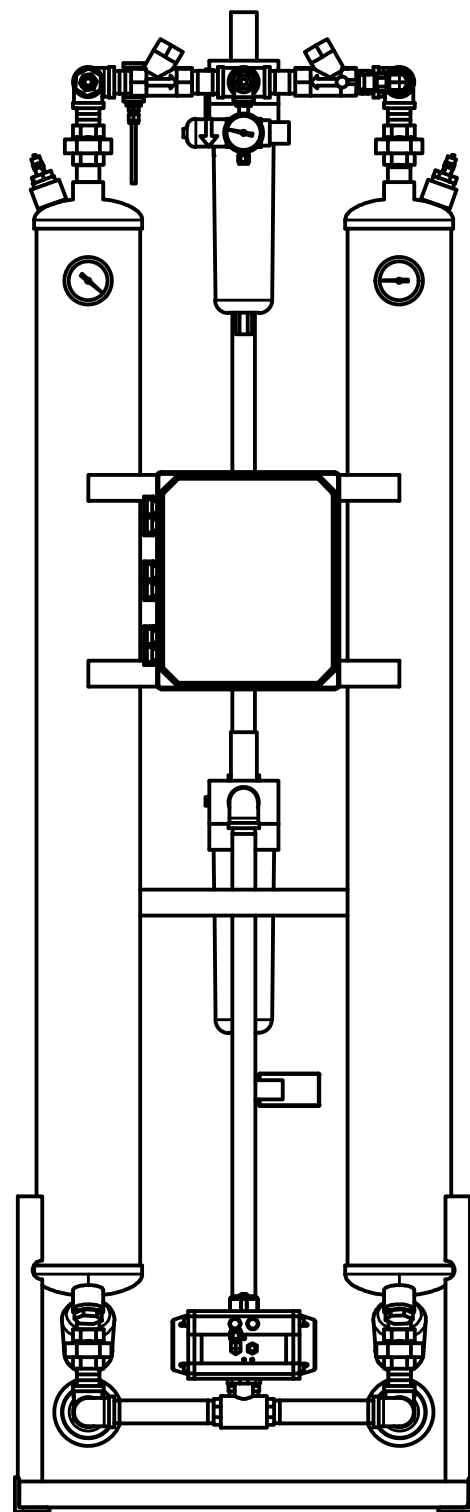
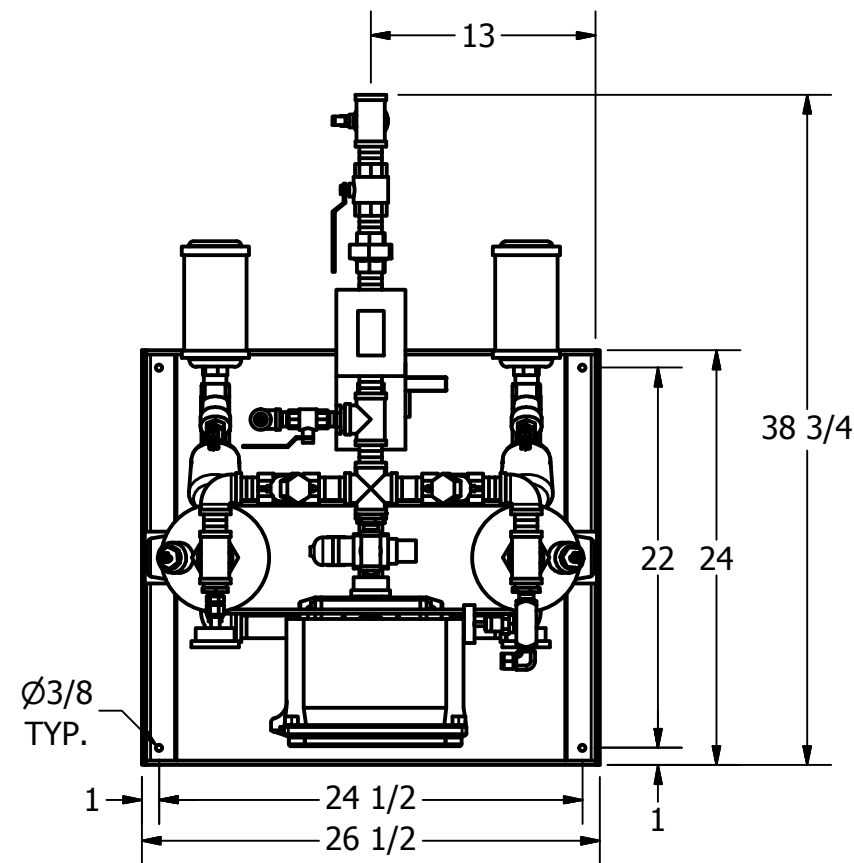
REV.
C

DRAWN: MR
CHECKED:

DATE: 6/10/2015
DATE:

SCALE: N/A

SHEET: 1 OF 2



PRELIMINARY



HRL-0075-1-3 HEATLESS DESICCANT AIR DRYER GENERAL ARRANGEMENT

TOLERANCES UNLESS
OTHERWISE SPECIFIED:

FRACTIONS = ± 1/4 "
 ANGLES = ± 3°
 INCHES = ± 1/2 "
 FINISH = 250

THE SPECIFICATIONS AND DRAWINGS DISCLOSED HEREIN ARE THE SOLE PROPERTY OF ALTEC AIR, AND SHALL NOT BE
 COPIED OR USED AS THE BASIS FOR SALE OR MANUFACTURE WITHOUT EXPRESS WRITTEN PERMISSION.

REVISION LOG

REV.	ECO.	DESCRIPTION	DATE	APPROVED
C	0675	UPDATED TANKS	4/13/2018	WS

DRAWING NO.

AT20-604

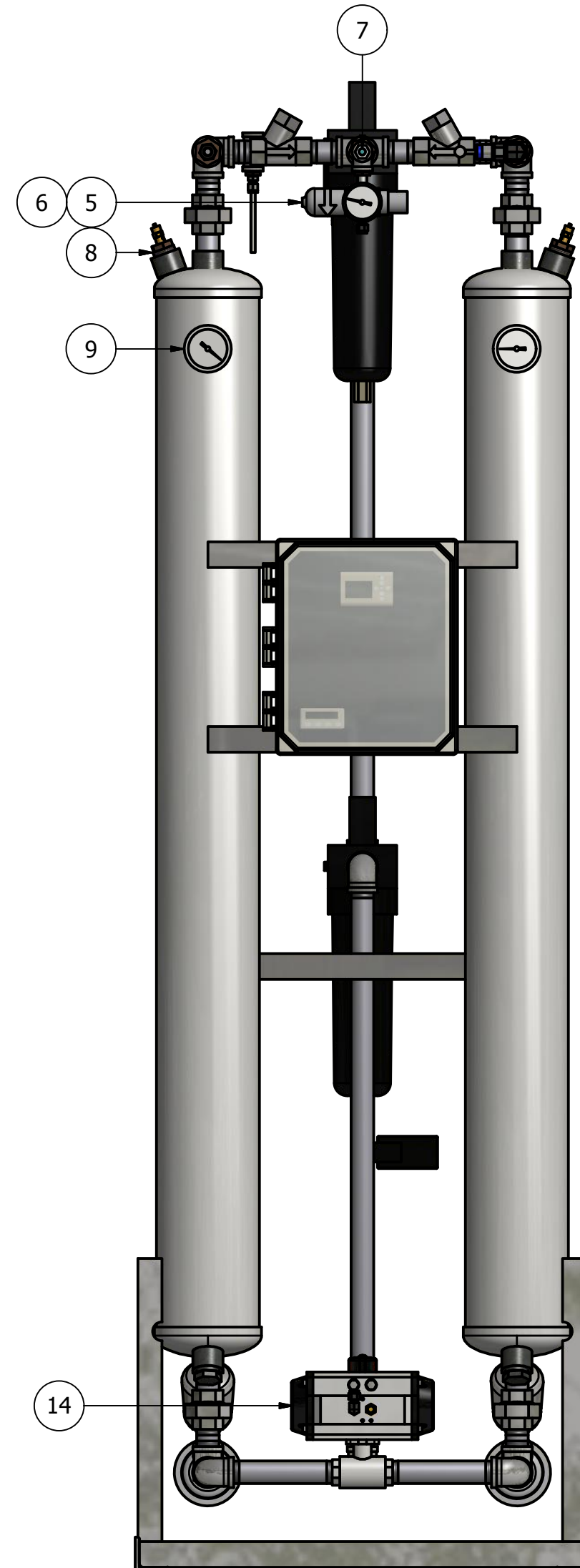
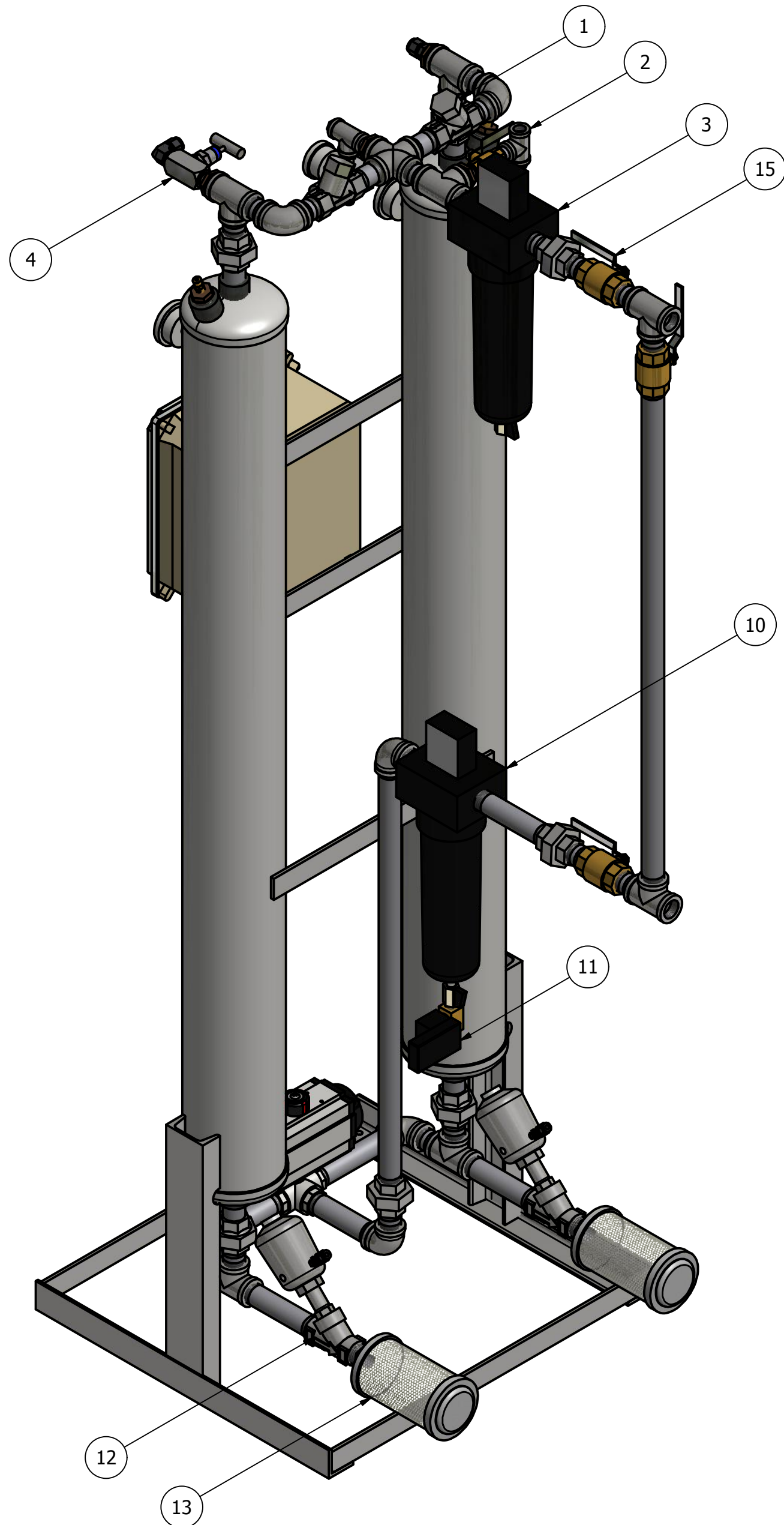
REV.
C

DRAWN: MR DATE: 6/10/2015
 CHECKED: DATE:

SCALE: N/A SHEET: 2 OF 2

PARTS LIST

ITEM	QTY	DESCRIPTION
1	2	CHECK VALVE, OUTLET
2	1	DEW POINT MONITOR (OPTIONAL)
3	1	PARTICULATE AFTER-FILTER
4	1	NEEDLE VALVE, PURGE
5	1	REGULATOR, CONTROL
6	1	PRESSURE GAUGE, CONTROL
7	1	MOISTURE INDICATOR
8	2	RELIEF VALVE, TANK
9	2	PRESSURE GAUGE, TANK
10	1	COALESCING PRE-FILTER
11	1	TIMED DRAIN
12	2	ANGLE BODY VALVE, EXHAUST
13	2	MUFFLER, EXHAUST
14	1	3 WAY BALL VALVE, INLET
15	3	MANUAL BALL VALVE, BYPASS
16	80 LBS	DESICCANT



PRELIMINARY