



HRL-0100-1-9 HEATLESS DESICCANT AIR DRYER GENERAL ARRANGEMENT

TOLERANCES UNLESS
OTHERWISE SPECIFIED:

FRACTIONS = ± 1/4 "
ANGLES = ± 3°
INCHES = ± 1/2 "
FINISH = 250

THE SPECIFICATIONS AND DRAWINGS DISCLOSED HEREIN ARE THE SOLE PROPERTY OF ALTEC AIR, AND SHALL NOT BE COPIED OR USED AS THE BASIS FOR SALE OR MANUFACTURE WITHOUT EXPRESS WRITTEN PERMISSION.

REVISION LOG

REV.	ECO.	DESCRIPTION	DATE	APPROVED
B	0847	PRODUCTION UPDATES	4/2/2019	WS

DRAWING NO.

AT20-502

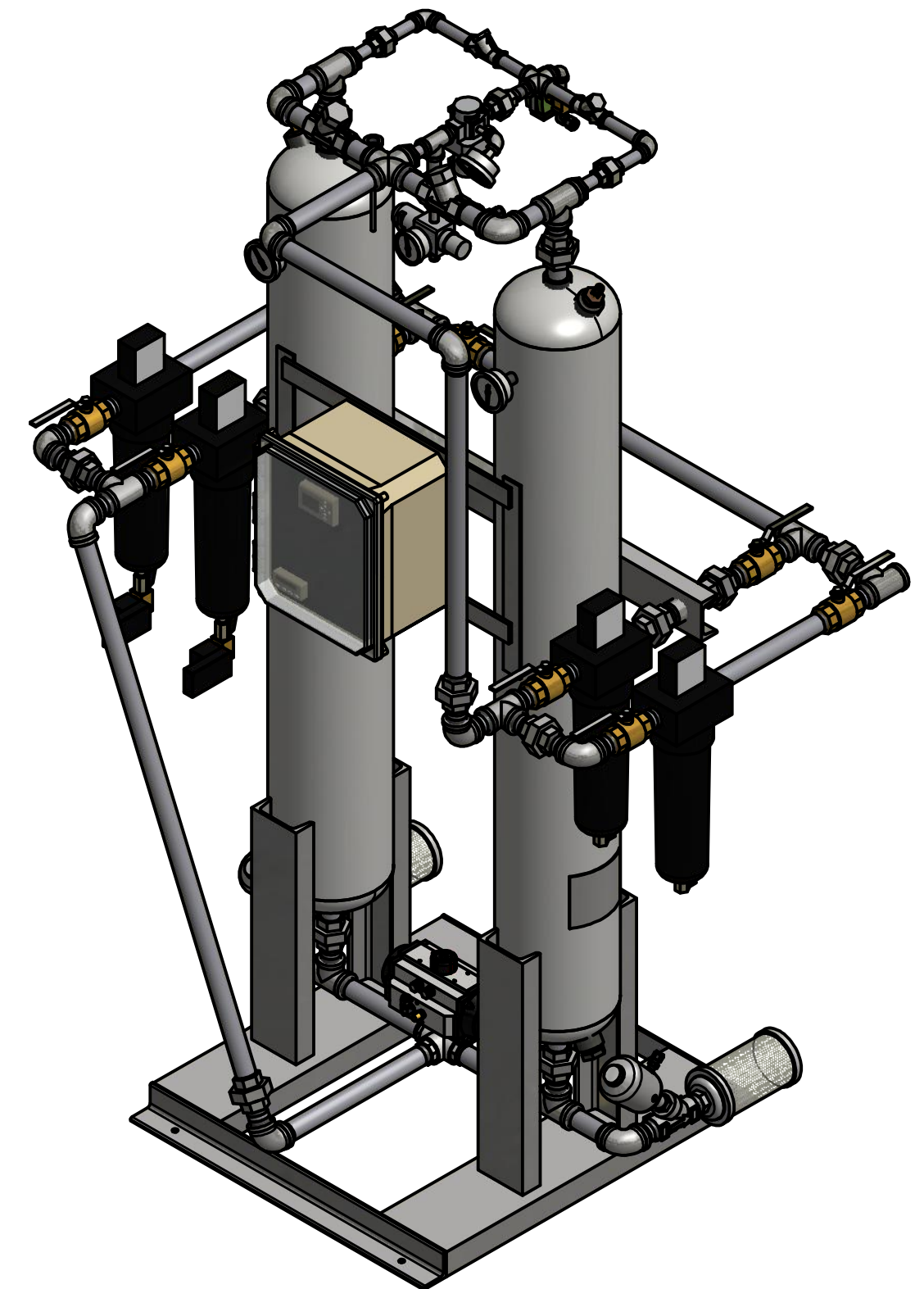
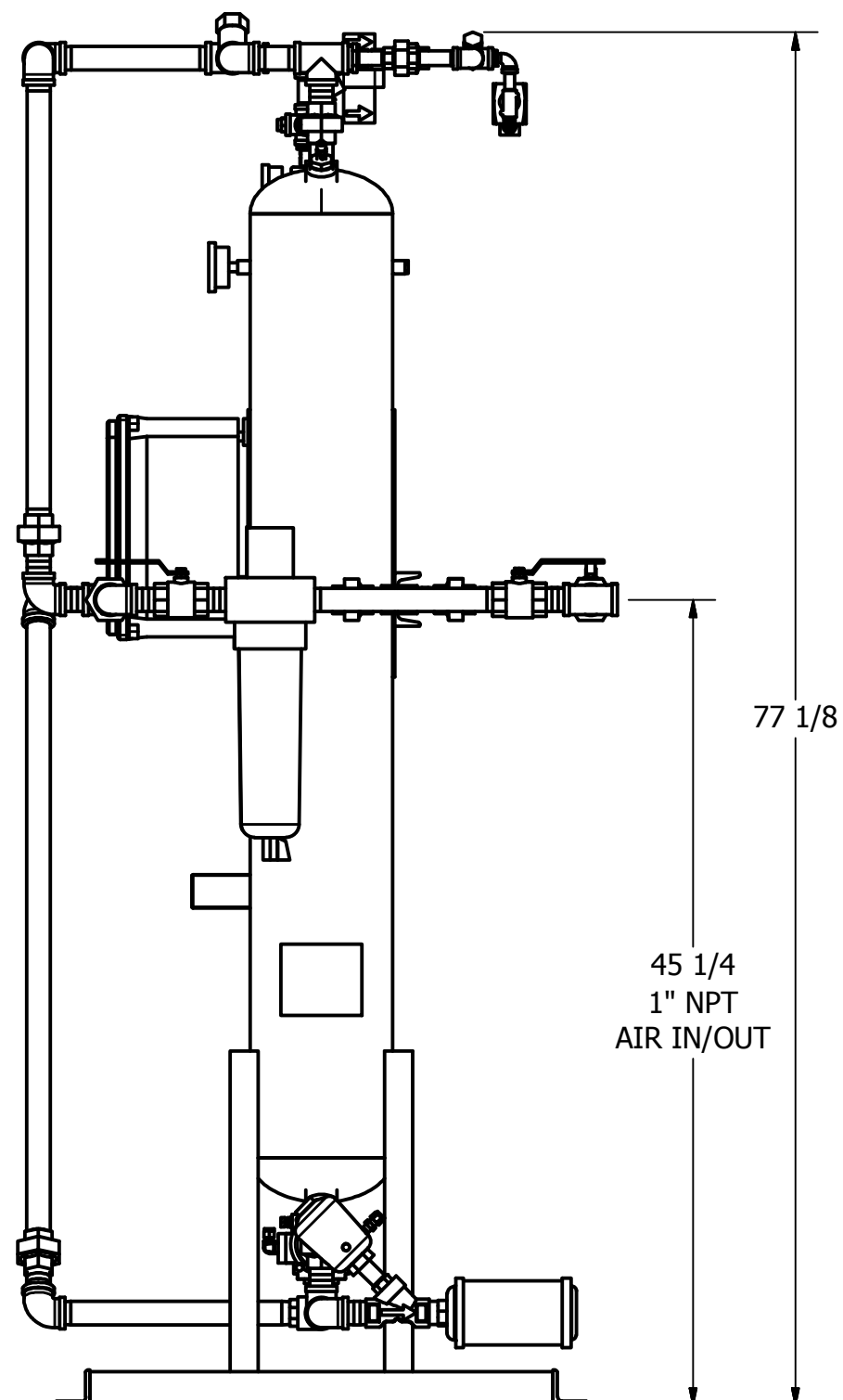
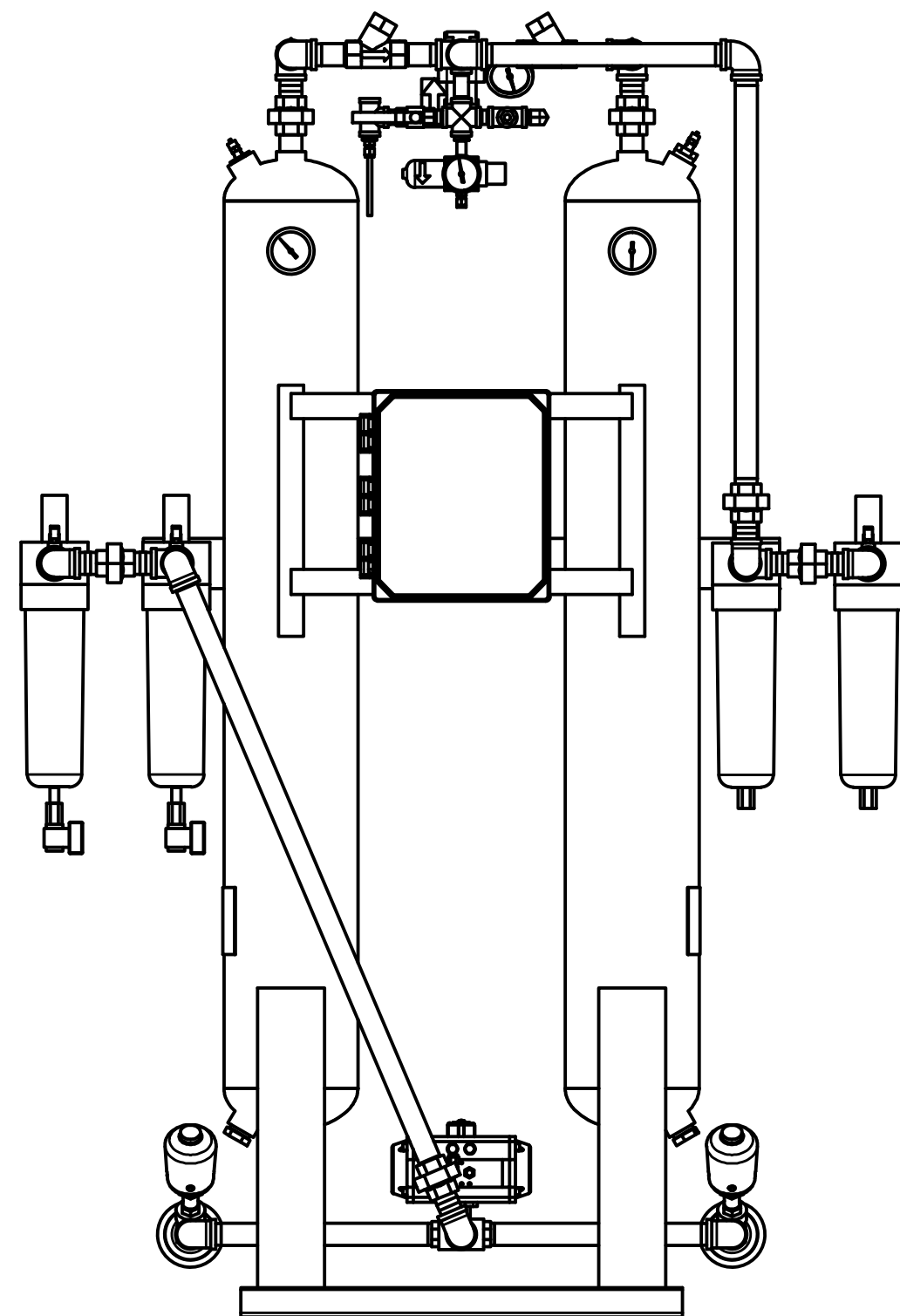
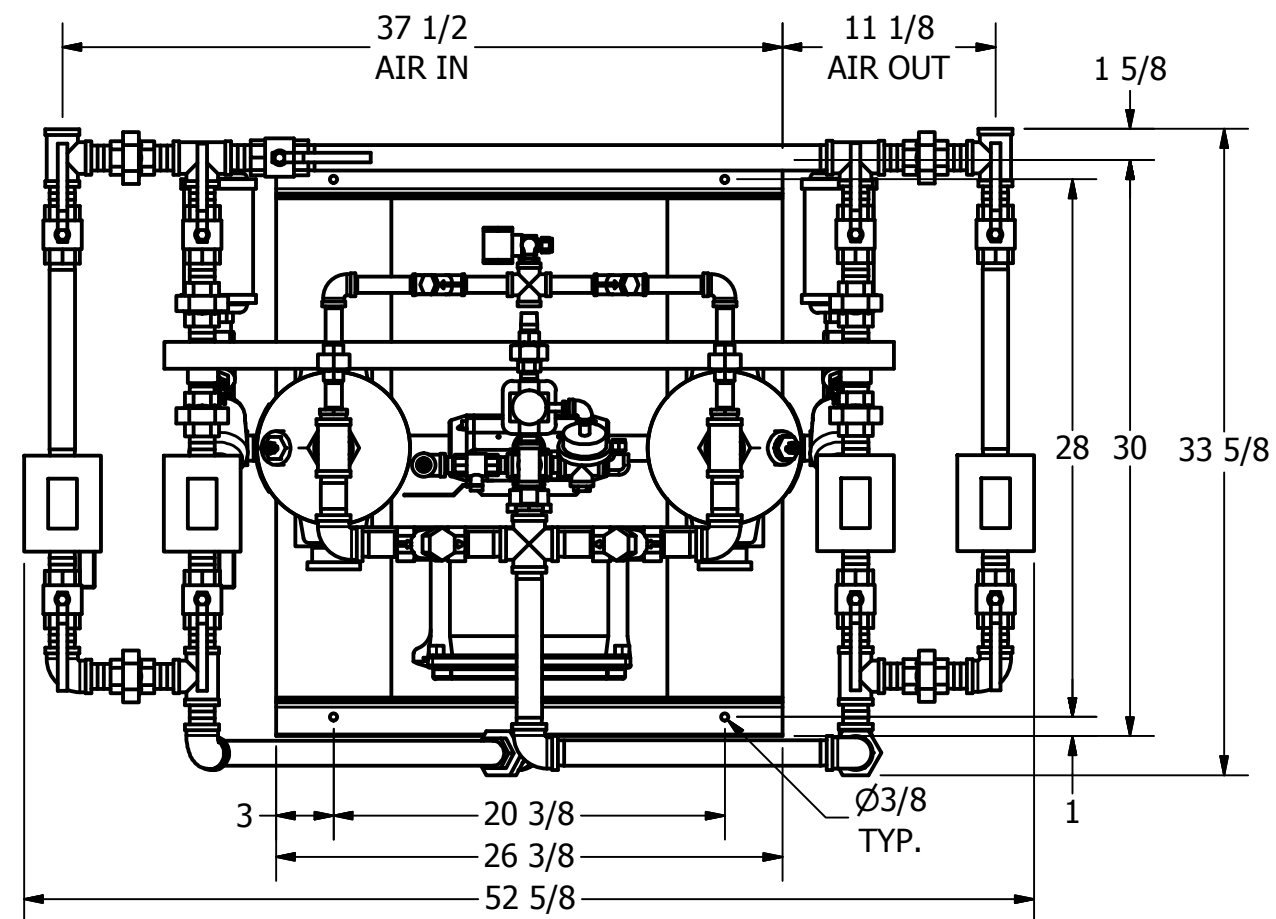
REV.
B

DRAWN: MR
CHECKED:

DATE: 2/5/2015
DATE:

SCALE: N/A

SHEET: 1 OF 2



PRELIMINARY



HRL-0100-1-9 HEATLESS DESICCANT AIR DRYER GENERAL ARRANGEMENT

TOLERANCES UNLESS
OTHERWISE SPECIFIED:

FRACTIONS = ± 1/4 "
ANGLES = ± 3°
INCHES = ± 1/2 "
FINISH = 250

THE SPECIFICATIONS AND DRAWINGS DISCLOSED HEREIN ARE THE SOLE PROPERTY OF ALTEC AIR, AND SHALL NOT BE COPIED OR USED AS THE BASIS FOR SALE OR MANUFACTURE WITHOUT EXPRESS WRITTEN PERMISSION.

REVISION LOG

REV.	ECO.	DESCRIPTION	DATE	APPROVED
B	0847	PRODUCTION UPDATES	4/2/2019	WS

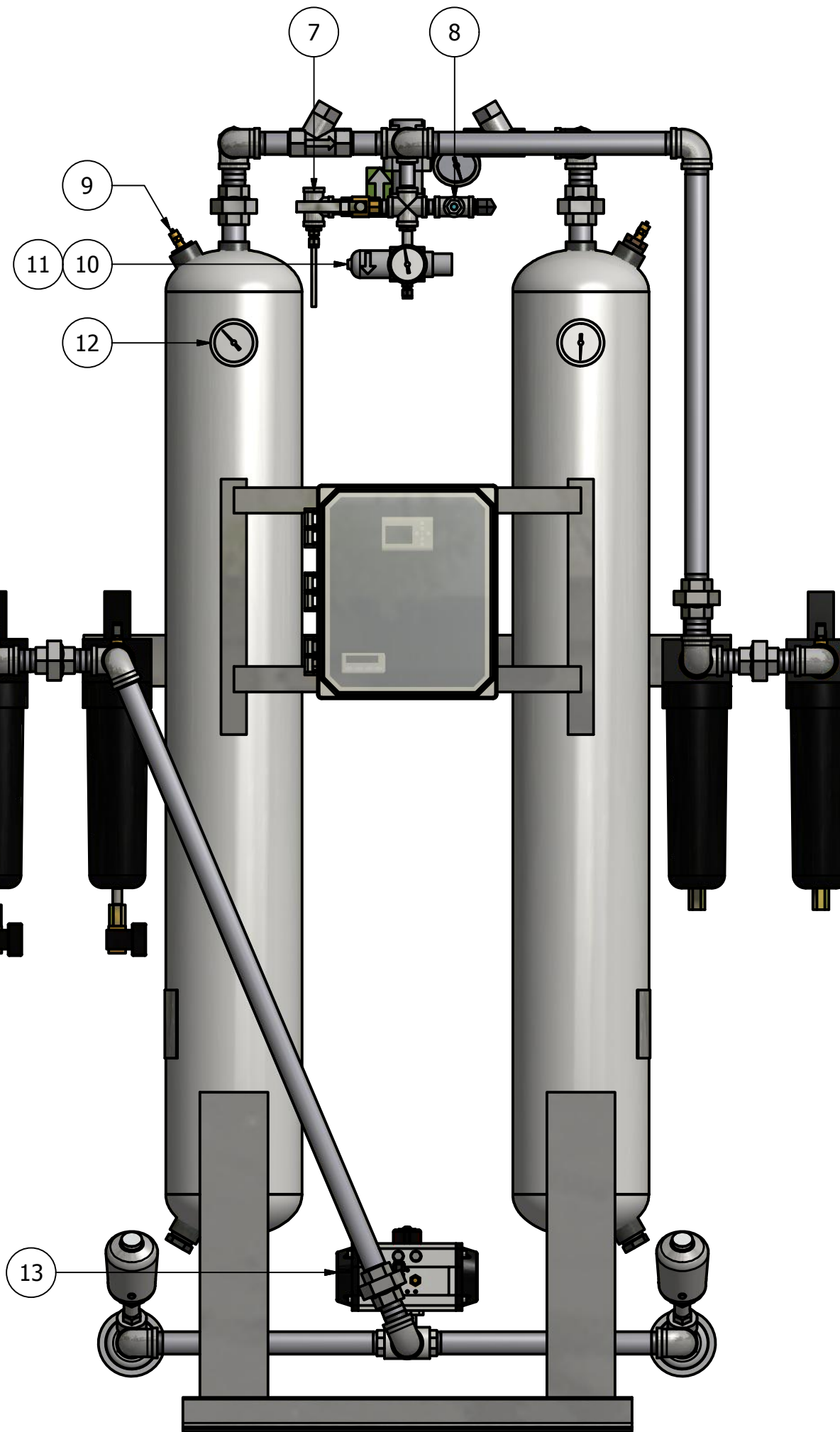
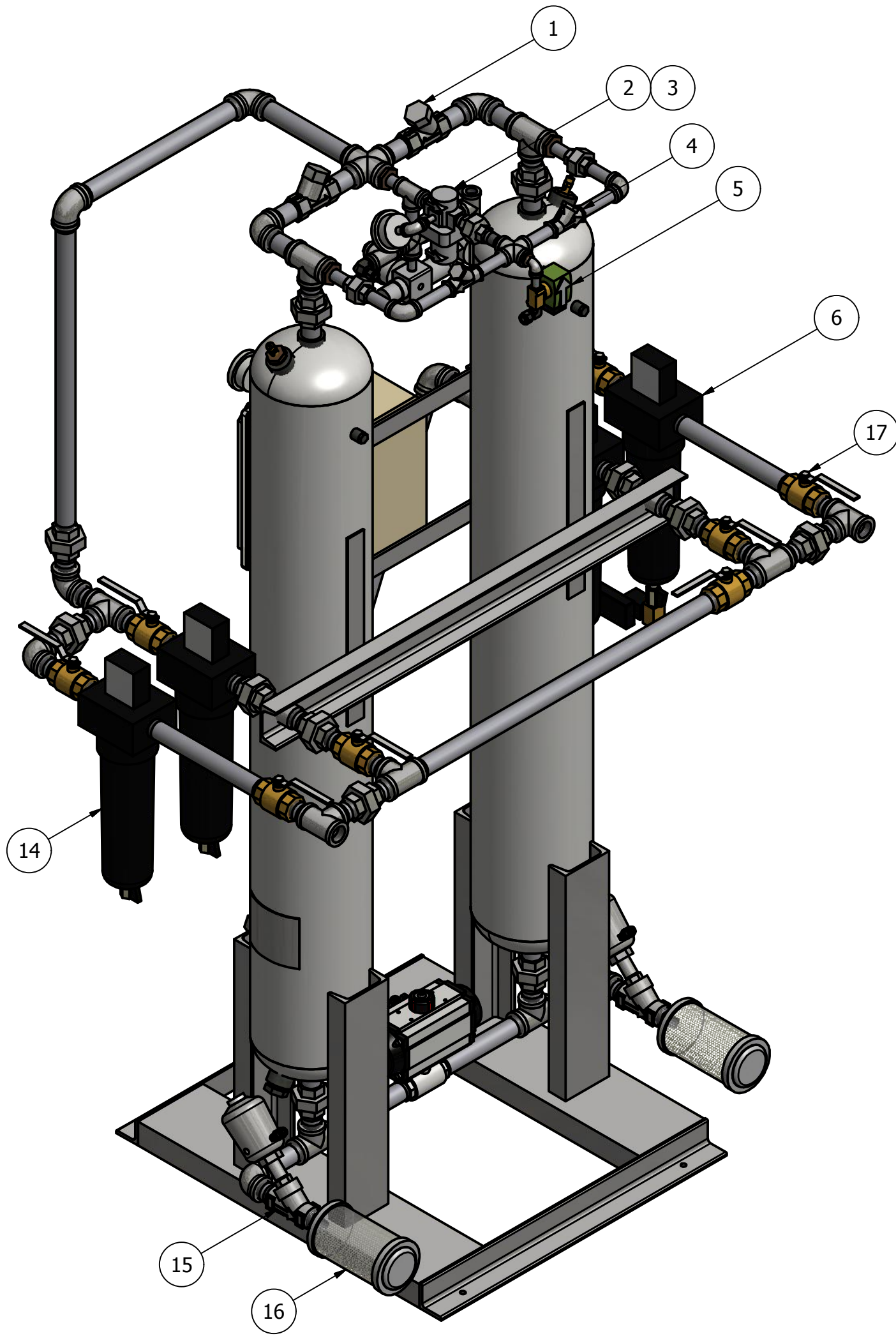
DRAWING NO. **AT20-502** REV. **B**

DRAWN: MR DATE: 2/5/2015
CHECKED: DATE:

SCALE: N/A SHEET: 2 OF 2

PARTS LIST

ITEM	QTY	DESCRIPTION
1	2	CHECK VALVE, OUTLET
2	1	PRESSURE REGULATOR, PURGE
3	1	PRESSURE GAUGE, PURGE
4	2	CHECK VALVE, PURGE
5	1	SOLENOID VALVE, REPRESS
6	2	COALESCER PRE-FILTER
7	1	DEW POINT MONITOR (OPTIONAL)
8	1	MOISTURE INDICATOR
9	2	RELIEF VALVE, TANKS
10	1	PRESSURE REGULATOR, CONTROL
11	1	PRESSURE GAUGE, CONTROL
12	2	PRESSURE GAUGE, TANKS
13	1	3- WAY BALL VALVE, INLET
14	2	PARTICULATE AFTER-FILTER
15	2	ANGLE BODY VALVE, EXHUAUST
16	2	MUFFLER, EXHAUST
17	9	MANUAL BALL VALVE, BYPASS
18	120 LBS	DESICCANT



PRELIMINARY