



HRL-0200-1-3 HEATLESS DESICCANT AIR DRYER GENERAL ARRANGEMENT

TOLERANCES UNLESS
OTHERWISE SPECIFIED:

- FRACTIONS = ± 1/4 "
- ANGLES = ± 3°
- INCHES = ± 1/2 "
- FINISH = 250

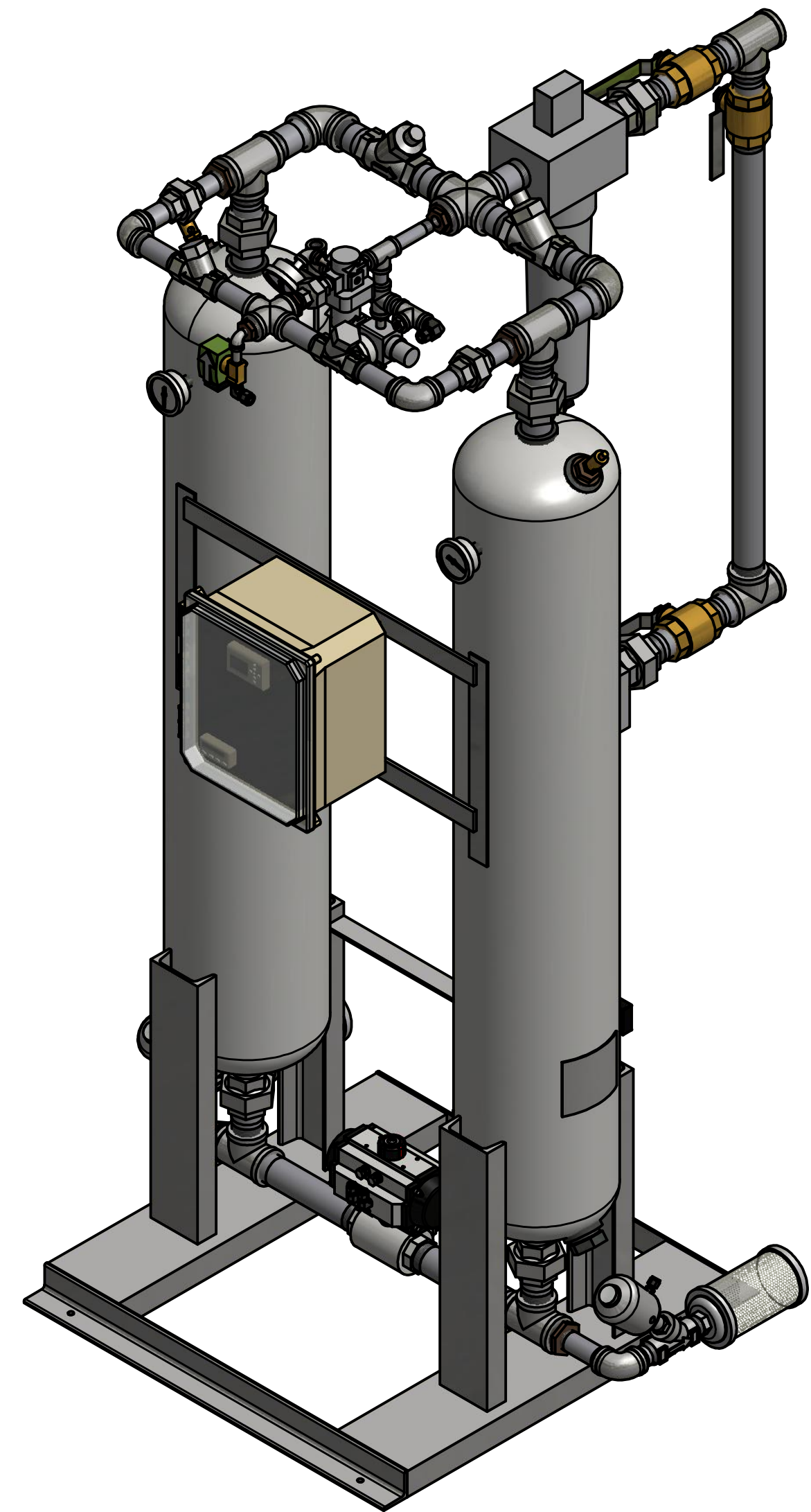
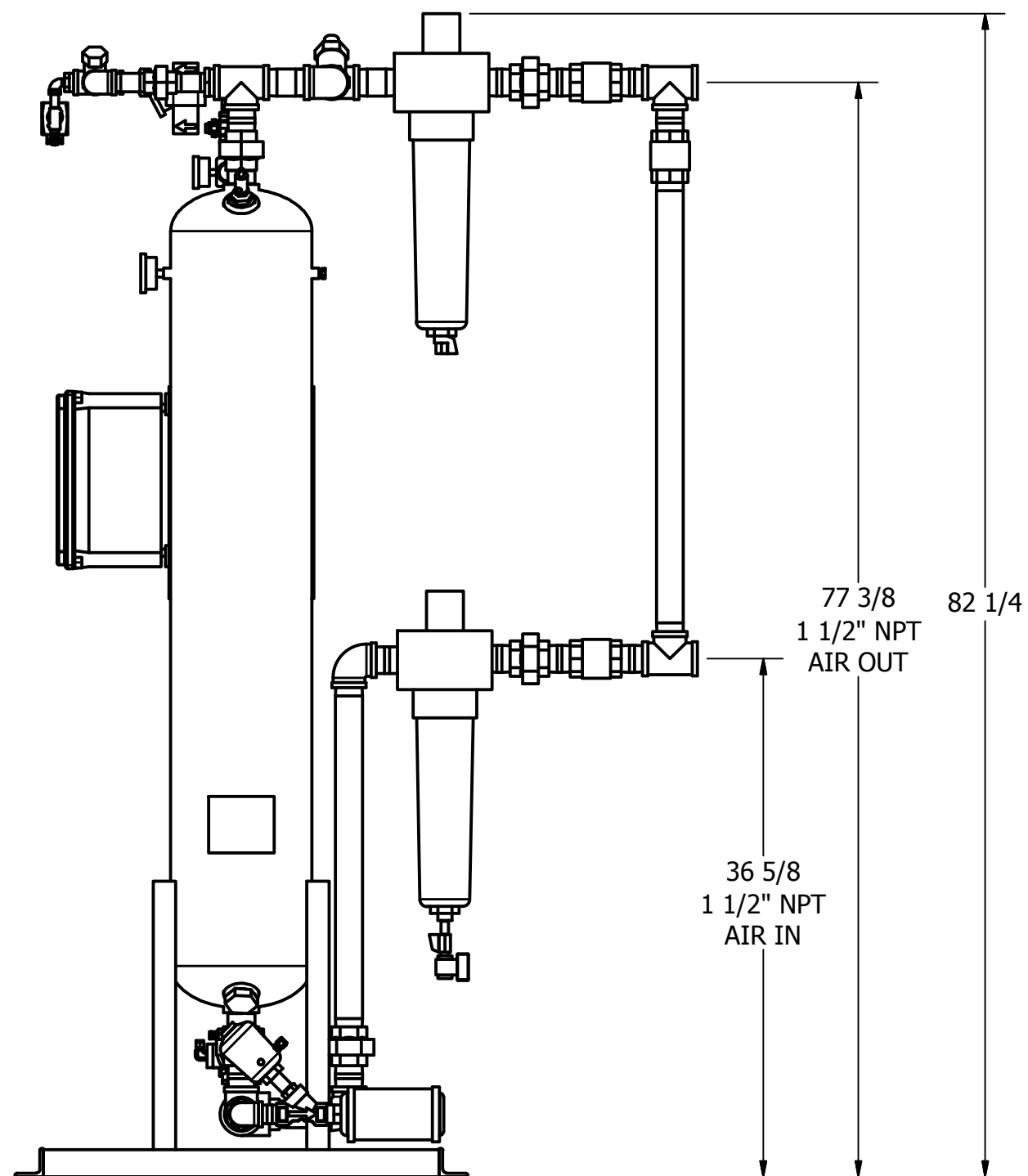
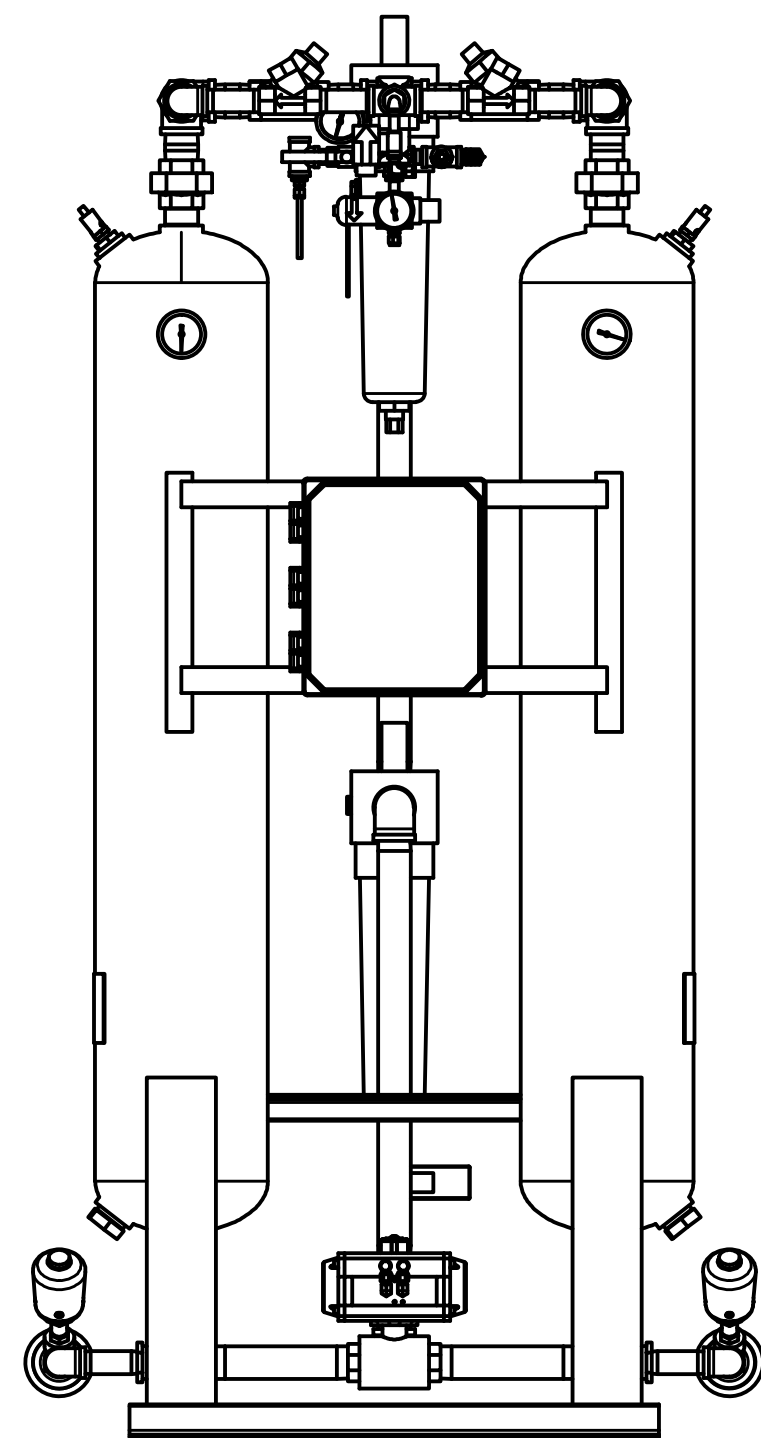
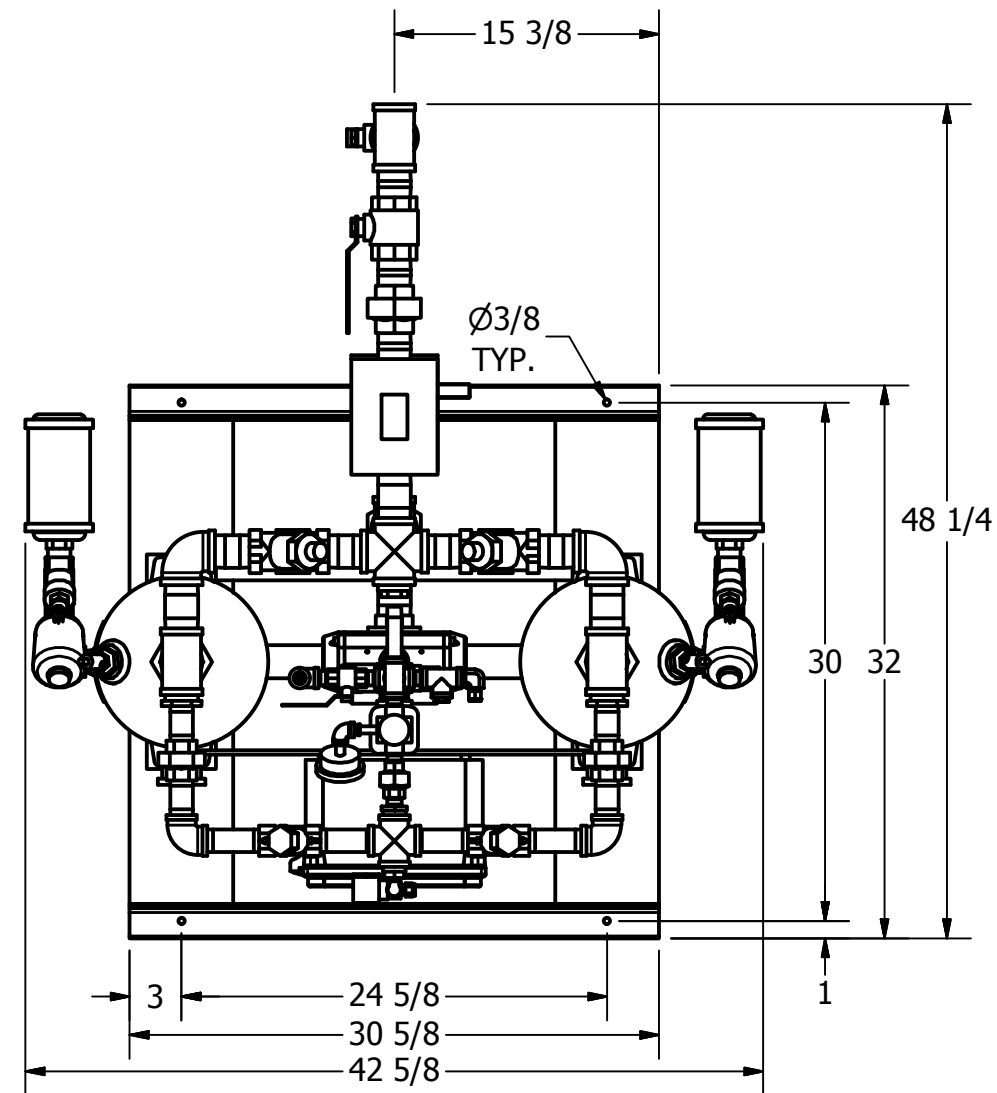
THE SPECIFICATIONS AND DRAWINGS DISCLOSED HEREIN ARE THE SOLE PROPERTY OF ALTEC AIR, AND SHALL NOT BE COPIED OR USED AS THE BASIS FOR SALE OR MANUFACTURE WITHOUT EXPRESS WRITTEN PERMISSION.

REVISION LOG

REV.	ECO.	DESCRIPTION	DATE	APPROVED
B	0422	TANK UPDATE	12/22/2016	WA

DRAWING NO. **AT20-840** REV. **B**

DRAWN: WA DATE: 10/5/2016
 CHECKED: DATE: SCALE: N/A SHEET: 1 OF 2



PRELIMINARY



HRL-0200-1-3 HEATLESS DESICCANT AIR DRYER GENERAL ARRANGEMENT

TOLERANCES UNLESS
OTHERWISE SPECIFIED:

FRACTIONS = ± 1/4 "
ANGLES = ± 3°
INCHES = ± 1/2 "
FINISH = 250

THE SPECIFICATIONS AND DRAWINGS DISCLOSED HEREIN ARE THE SOLE PROPERTY OF ALTEC AIR, AND SHALL NOT BE COPIED OR USED AS THE BASIS FOR SALE OR MANUFACTURE WITHOUT EXPRESS WRITTEN PERMISSION.

REVISION LOG

REV.	ECO.	DESCRIPTION	DATE	APPROVED
B	0422	TANK UPDATE	12/22/2016	WA

DRAWING NO.

AT20-840

REV.
B

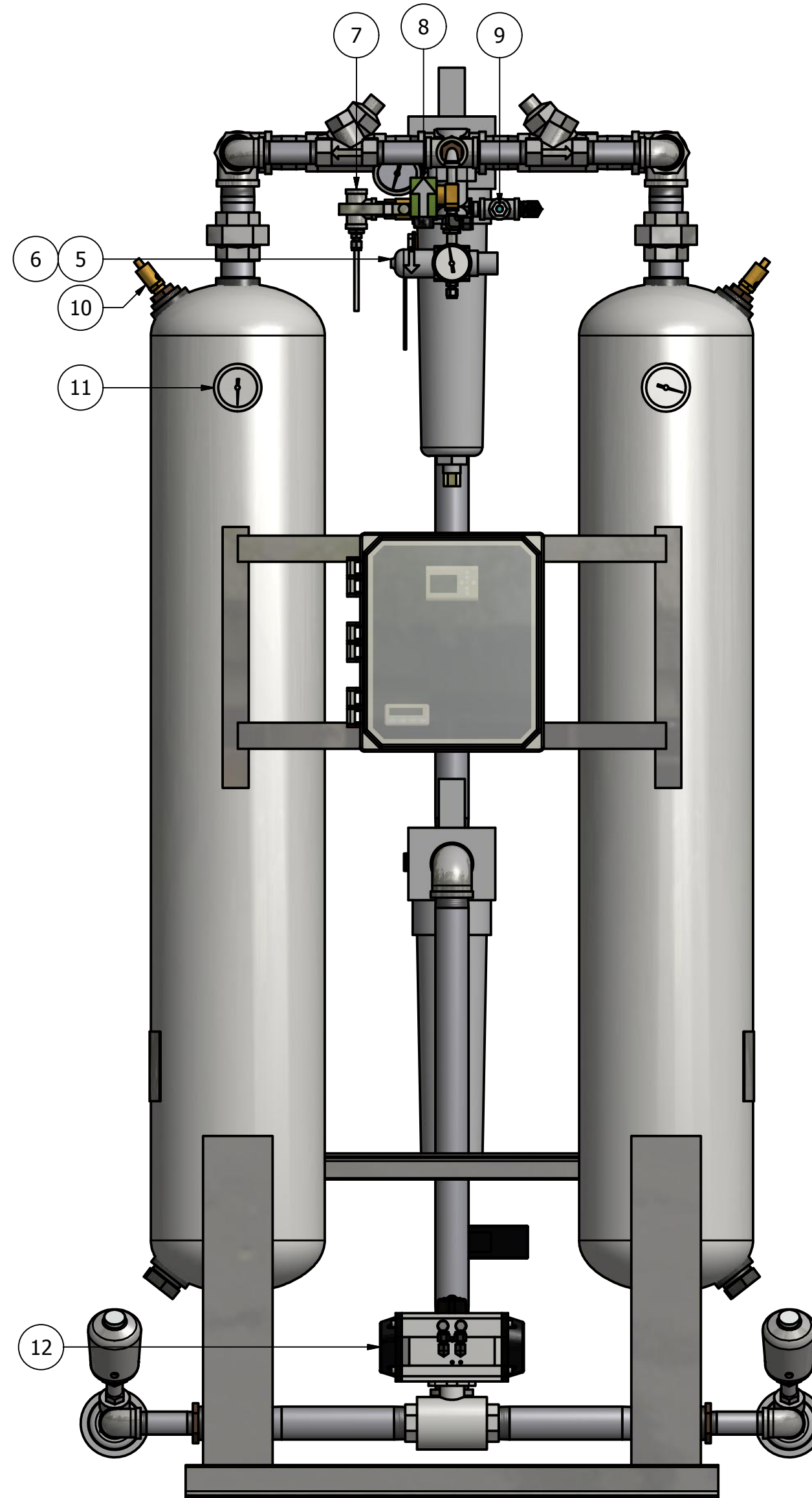
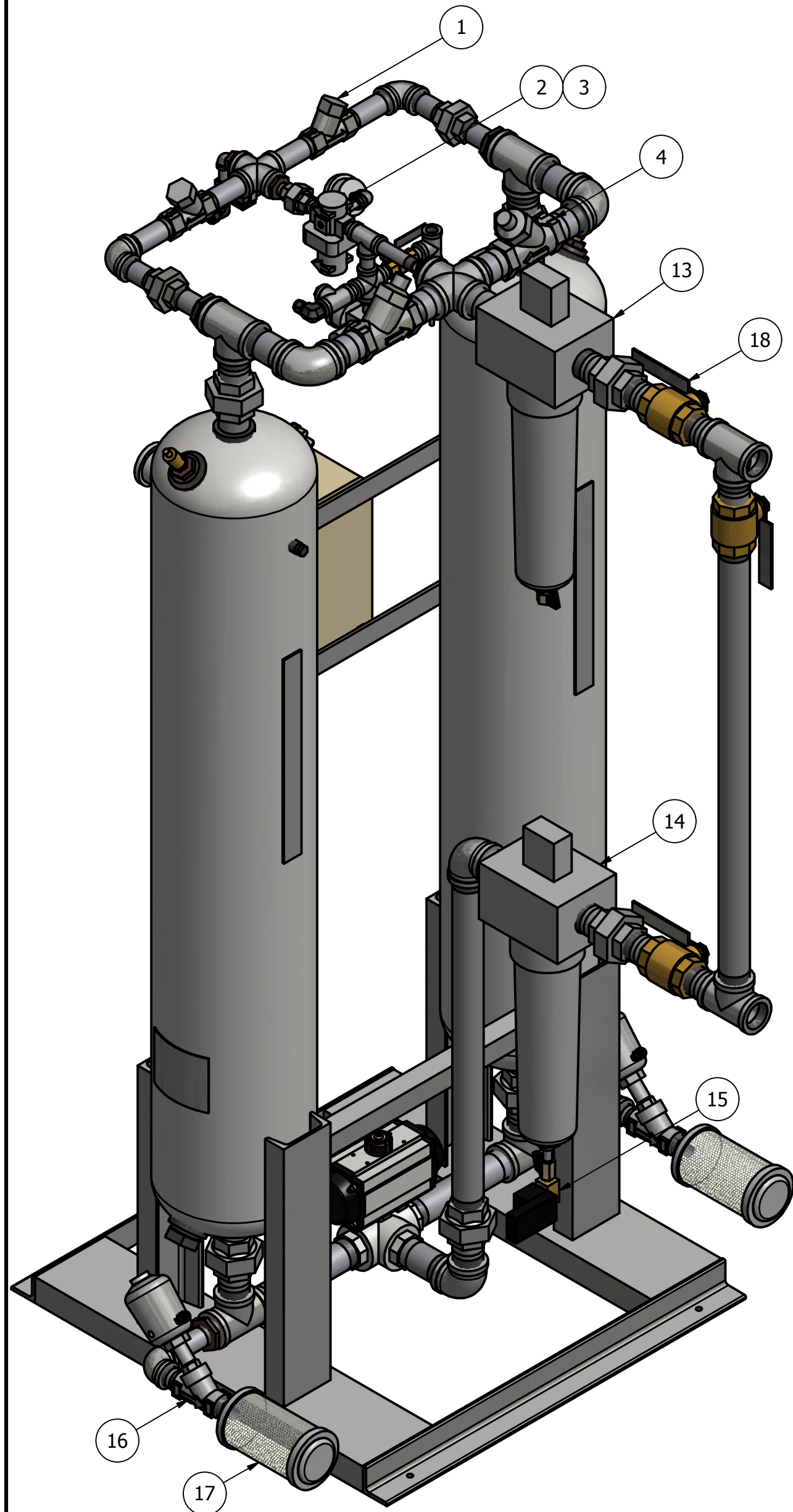
DRAWN: WA
CHECKED:
DATE: 10/5/2016
DATE:

SCALE: N/A

SHEET: 2 OF 2

PARTS LIST

ITEM	QTY	DESCRIPTION
1	2	CHECK VALVE, PURGE
2	1	PRESSURE REGULATOR, PURGE
3	1	PRESSURE GAUGE, PURGE
4	2	CHECK VALVE, OUTLET
5	1	PRESSURE REGULATOR, CONTROL
6	1	PRESSURE GAUGE, CONTROL
7	1	DEW POINT MONITOR (OPTIONAL)
8	1	SOLENOID, REPRESS
9	1	MOISTURE INDICATOR
10	2	RELIEF VALVE, TANK
11	2	PRESSURE GAUGE, TANK
12	1	3 WAY BALL VALVE, INLET
13	1	PARTICULATE AFTER-FILTER
14	1	COALESCER PRE-FILTER
15	1	TIMED DRAIN
16	2	ANGLE BODY VALVE, EXHAUST
17	2	MUFFLER, EXHAUST
18	3	MANUAL BALL VALVE, BYPASS
19	220 LBS	DESICCANT



PRELIMINARY