



HRL-0800-1 HEATLESS DESICCANT AIR DRYER GENERAL ARRANGEMENT

TOLERANCES UNLESS
OTHERWISE SPECIFIED:

FRACTIONS = ± 1/4 "
 ANGLES = ± 3°
 INCHES = ± 1/2 "
 FINISH = 250

THE SPECIFICATIONS AND DRAWINGS DISCLOSED HEREIN ARE THE SOLE PROPERTY OF ALTEC AIR, AND SHALL NOT BE COPIED OR USED AS THE BASIS FOR SALE OR MANUFACTURE WITHOUT EXPRESS WRITTEN PERMISSION.

REVISION LOG

REV.	ECO.	DESCRIPTION	DATE	APPROVED
E	0931	PRODUCTION UPDATES	1/14/2020	WS

DRAWING NO.

AT20-532

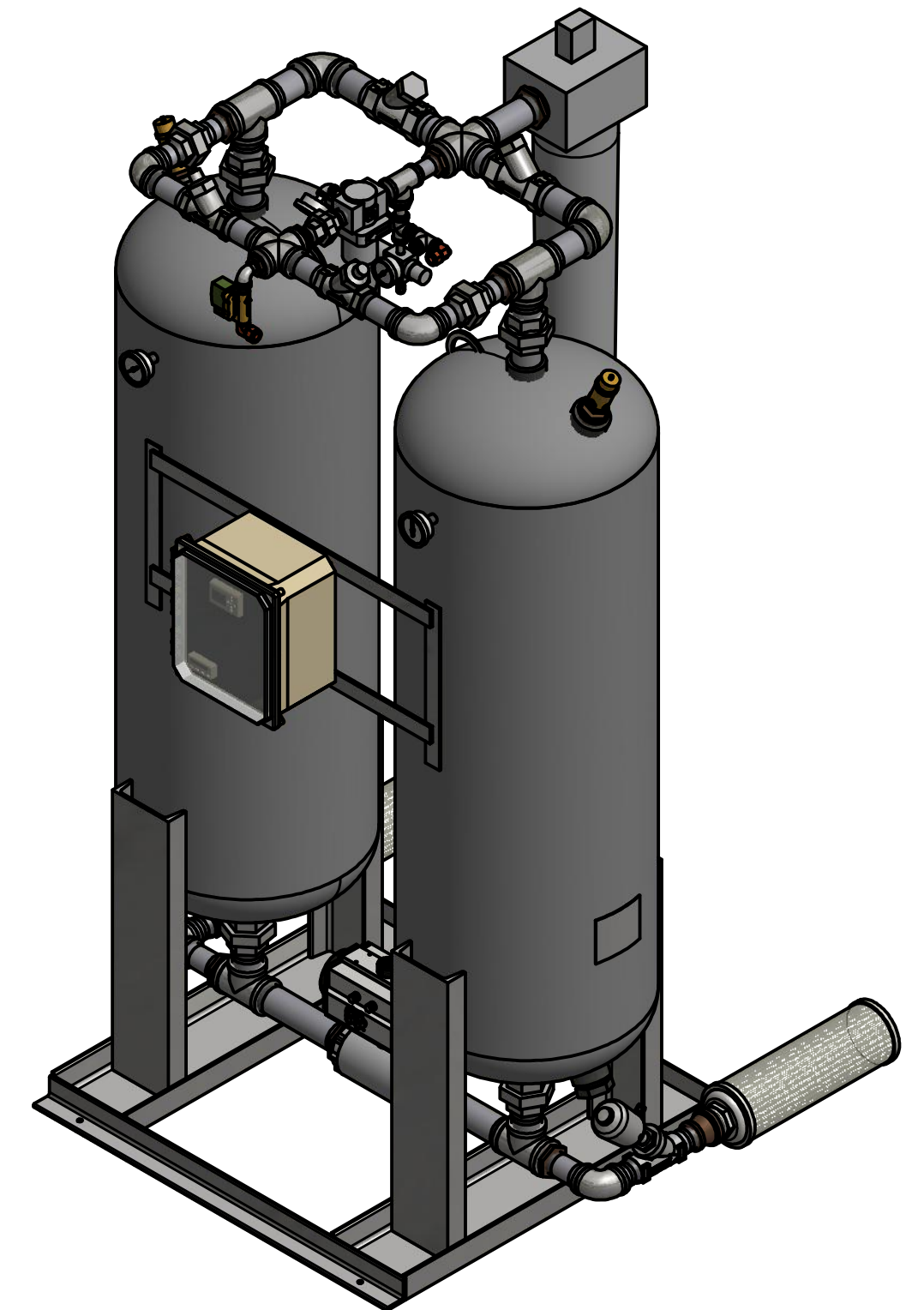
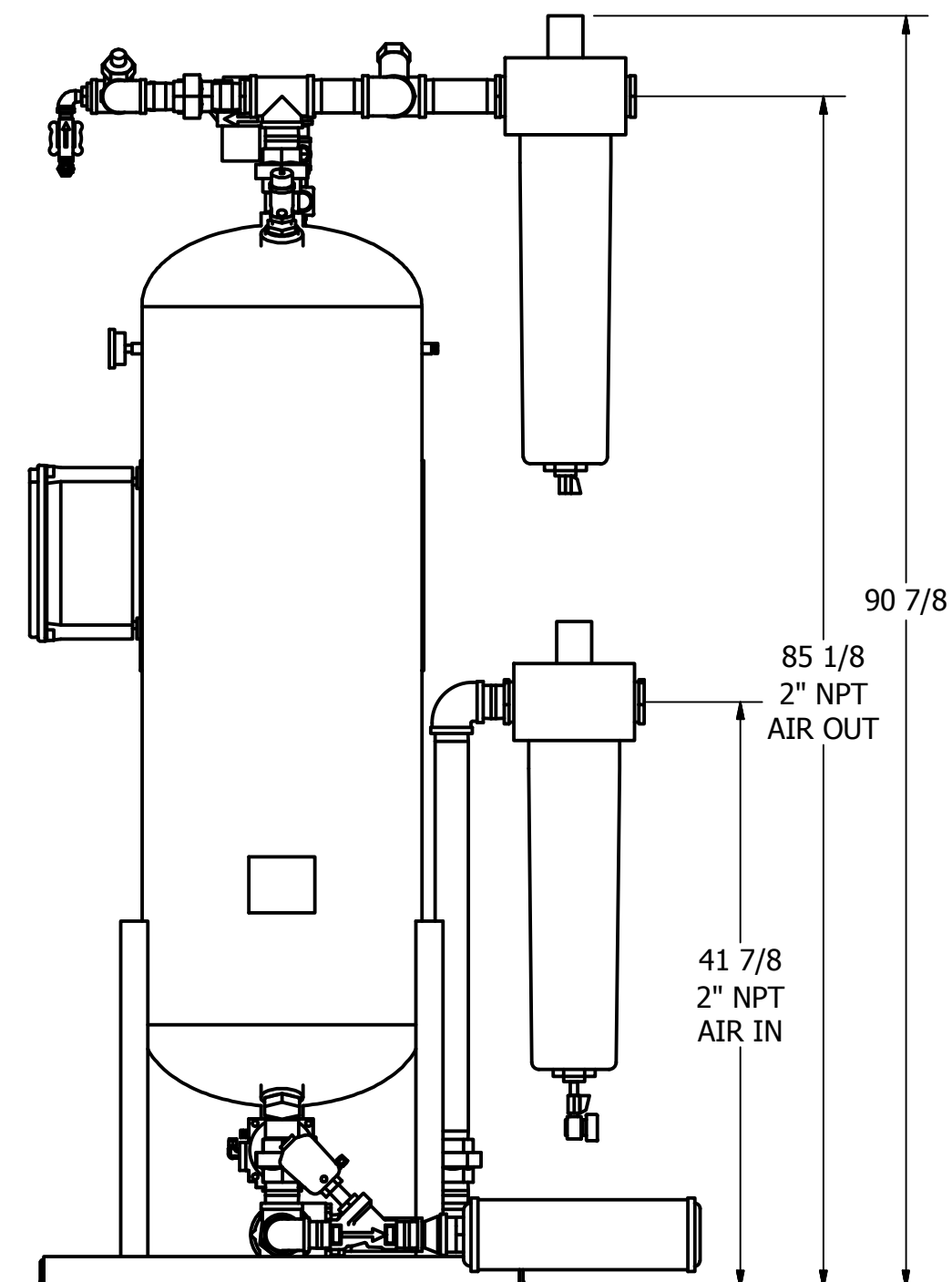
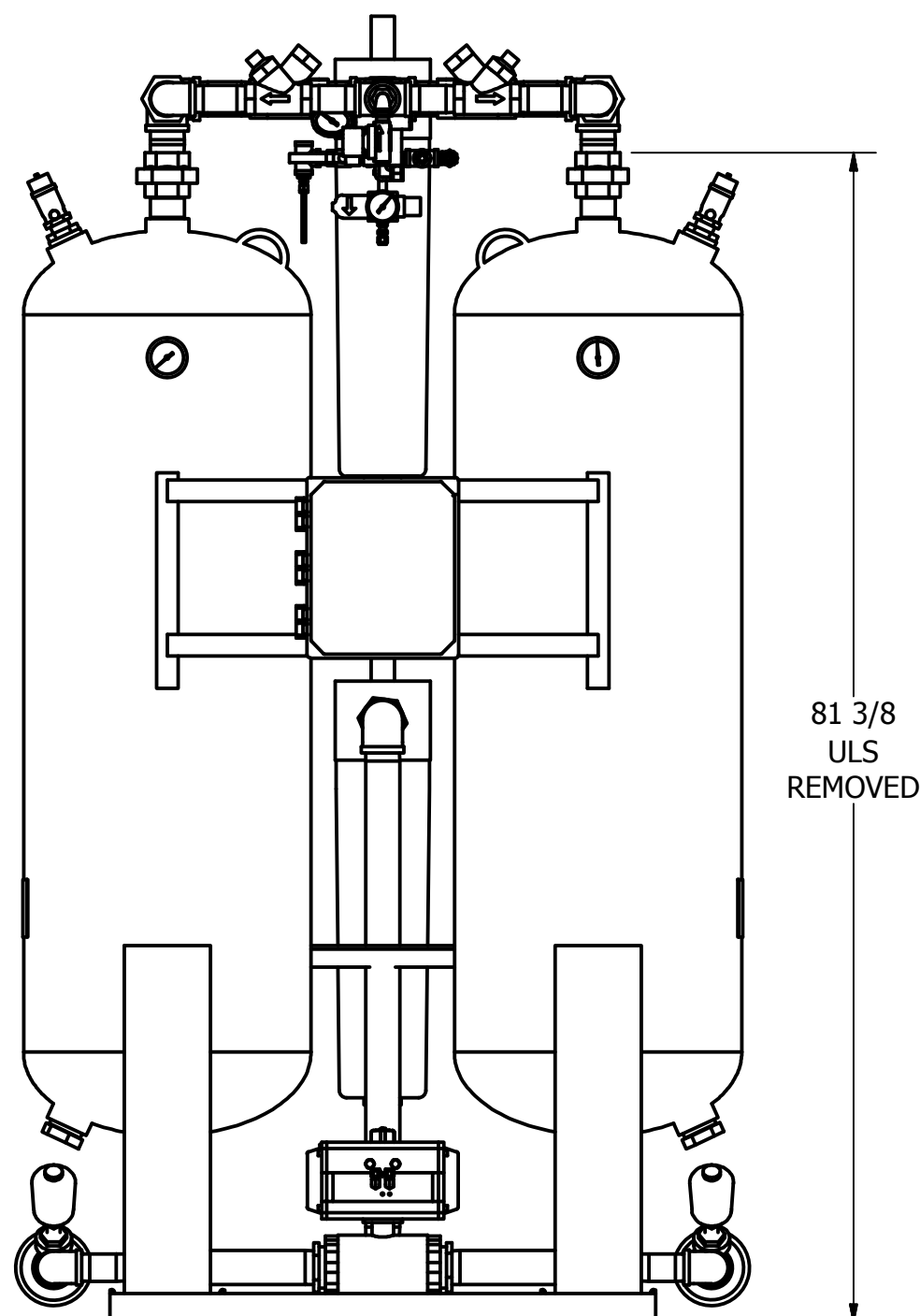
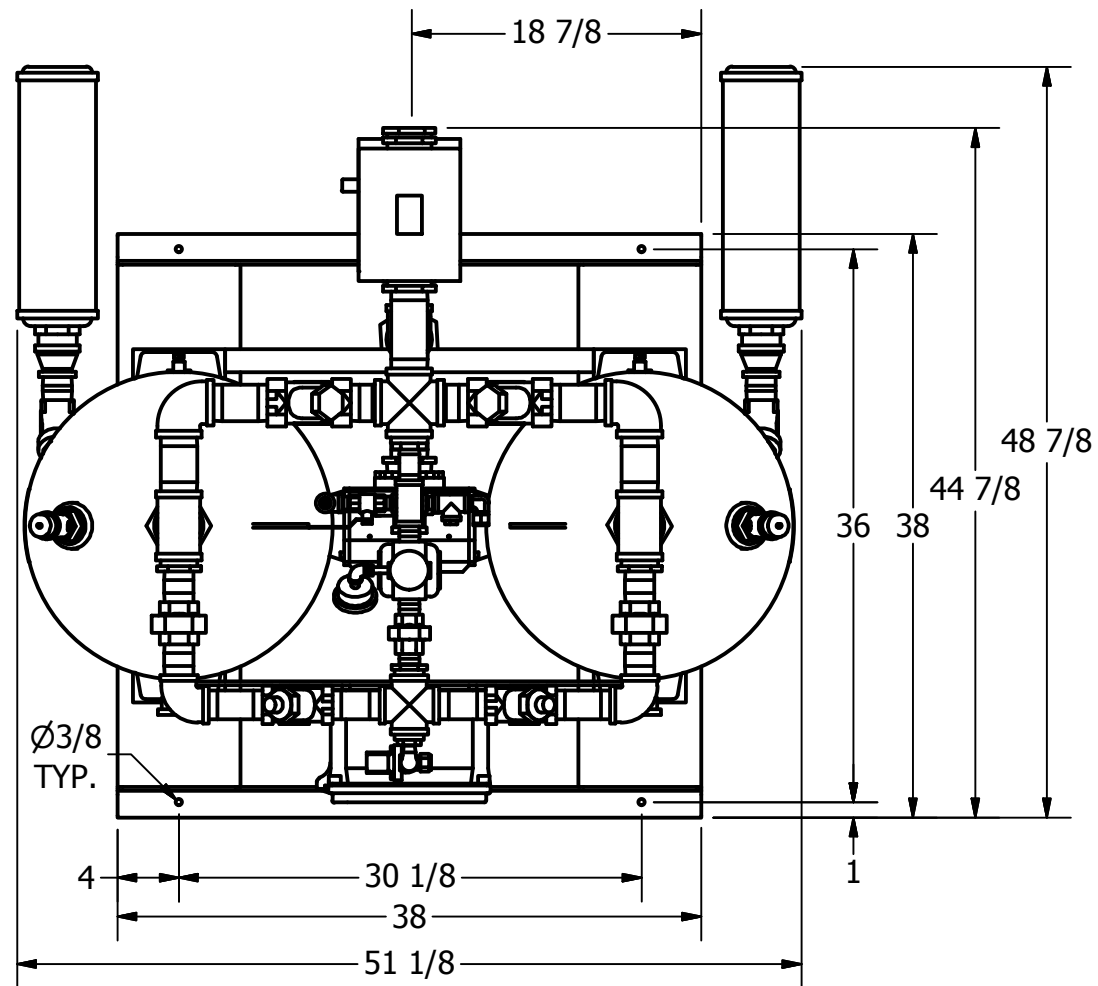
REV.
E

DRAWN: MR
 CHECKED:

DATE: 2/27/2015
 DATE:

SCALE: N/A

SHEET: 1 OF 2



PRELIMINARY



HRL-0800-1 HEATLESS DESICCANT AIR DRYER GENERAL ARRANGEMENT

TOLERANCES UNLESS
OTHERWISE SPECIFIED:

FRACTIONS = ± 1/4 "
ANGLES = ± 3°
INCHES = ± 1/2 "
FINISH = 250

THE SPECIFICATIONS AND DRAWINGS DISCLOSED HEREIN ARE THE SOLE PROPERTY OF ALTEC AIR, AND SHALL NOT BE COPIED OR USED AS THE BASIS FOR SALE OR MANUFACTURE WITHOUT EXPRESS WRITTEN PERMISSION.

REVISION LOG

REV.	ECO.	DESCRIPTION	DATE	APPROVED
E	0931	PRODUCTION UPDATES	1/14/2020	WS

DRAWING NO.

AT20-532

REV.
E

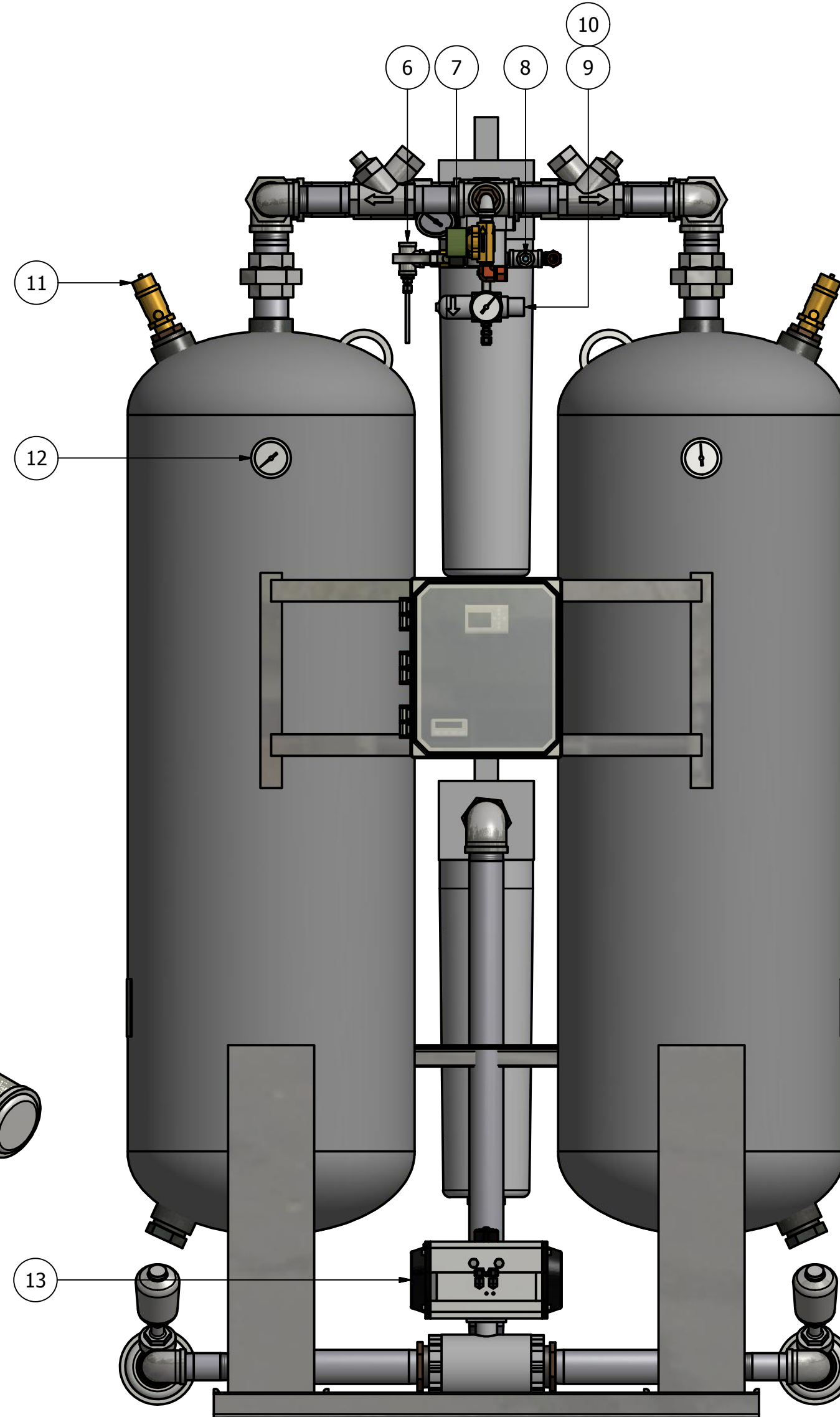
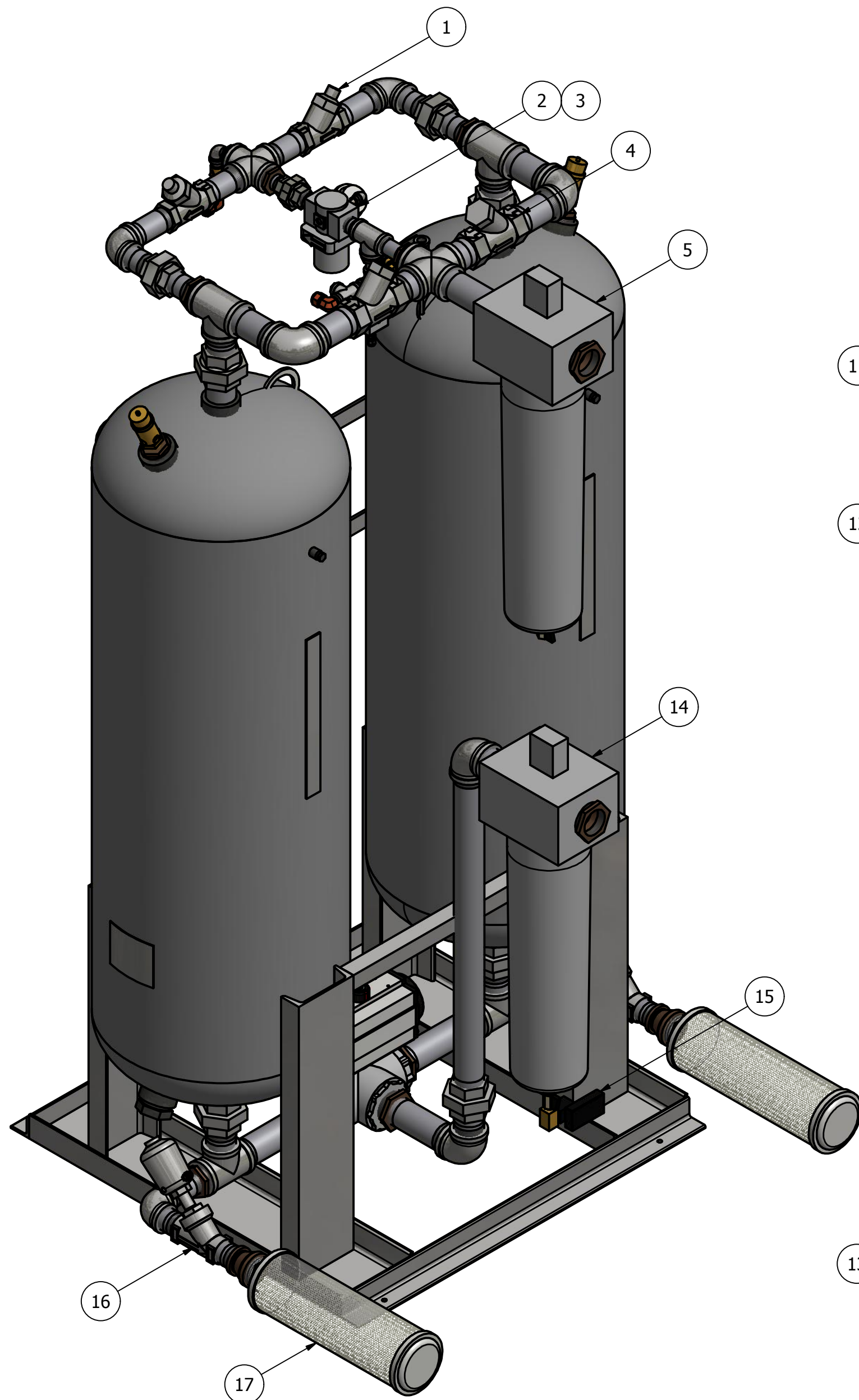
DRAWN: MR DATE: 2/27/2015
CHECKED: DATE:

SCALE: N/A

SHEET: 2 OF 2

PARTS LIST

ITEM	QTY	DESCRIPTION
1	2	CHECK VALVE, PURGE
2	1	PRESSURE REGULATOR, PURGE
3	1	PRESSURE GAUGE, PURGE
4	2	CHECK VALVE, OUTLET
5	1	PARTICULATE AFTER-FILTER
6	1	DEW POINT MONITOR (OPTIONAL)
7	1	SOLENOID VALVE, REPRESS
8	1	MOISTURE INDICATOR
9	1	PRESSURE REGULATOR, CONTROL
10	1	PRESSURE GAUGE, CONTROL
11	2	RELIEF VALVE, TANK
12	2	PRESSURE GAUGE, TANK
13	1	3-WAY BALL VALVE, INLET
14	1	COALESCER PRE-FILTER
15	1	TIMED DRAIN
16	2	ANGLE BODY VALVE, EXHAUST
17	2	MUFFLER, EXHAUST
18	900 LBS	DESICCANT



PRELIMINARY