



HRL-2000-1 HEATLESS DESICCANT AIR DRYER GENERAL ARRANGEMENT

TOLERANCES UNLESS
OTHERWISE SPECIFIED:

FRACTIONS = ± 1/4 "
ANGLES = ± 3°
INCHES = ± 1/2 "
FINISH = 250

THE SPECIFICATIONS AND DRAWINGS DISCLOSED HEREIN ARE THE SOLE PROPERTY OF ALTEC AIR, AND SHALL NOT BE COPIED OR USED AS THE BASIS FOR SALE OR MANUFACTURE WITHOUT EXPRESS WRITTEN PERMISSION.

REVISION LOG

REV.	ECO.	DESCRIPTION	DATE	APPROVED
D	0782	CHANGED C-C TO 52", REVISED LLS	10/24/2018	WS

DRAWING NO.

AT20-286

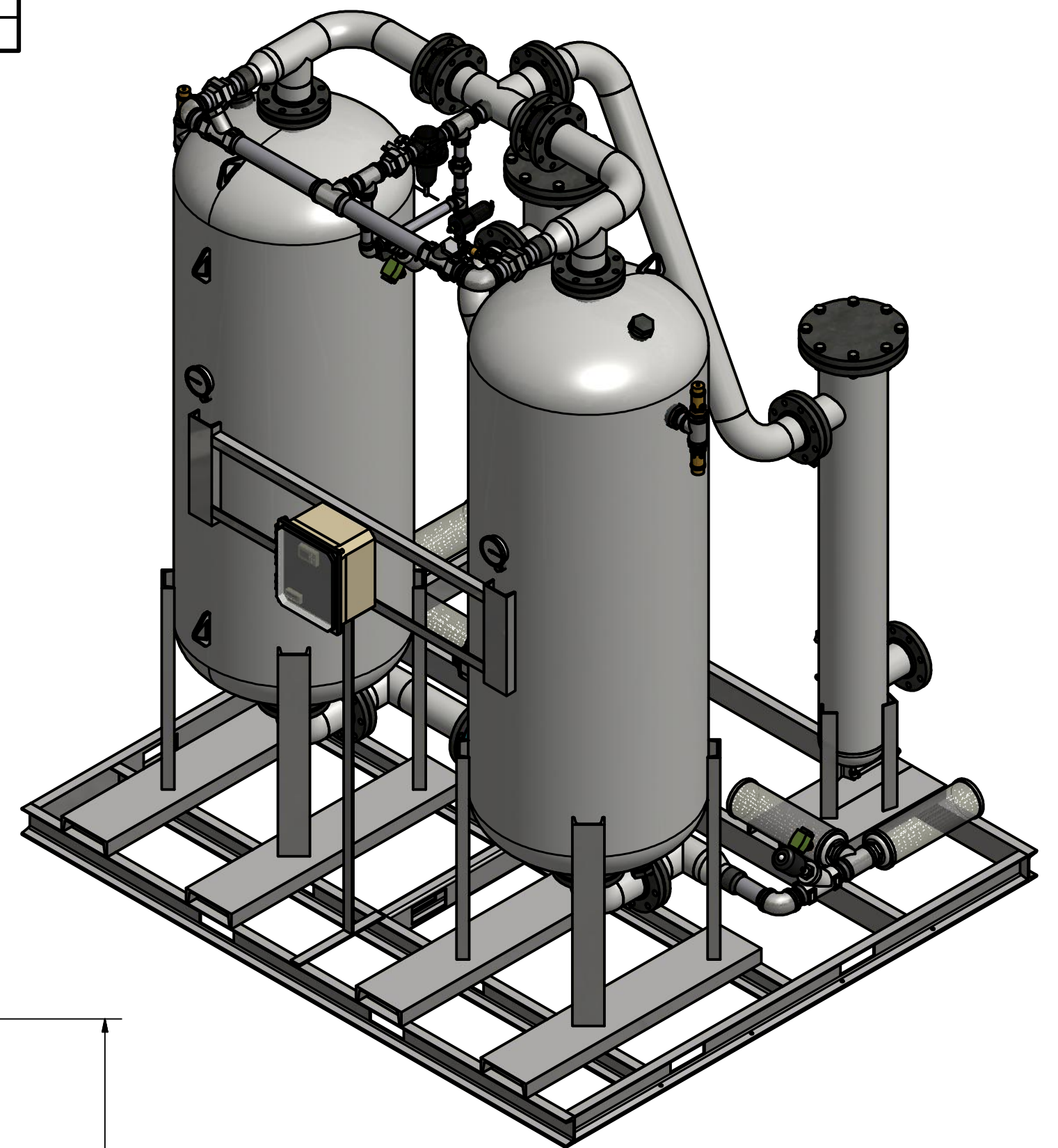
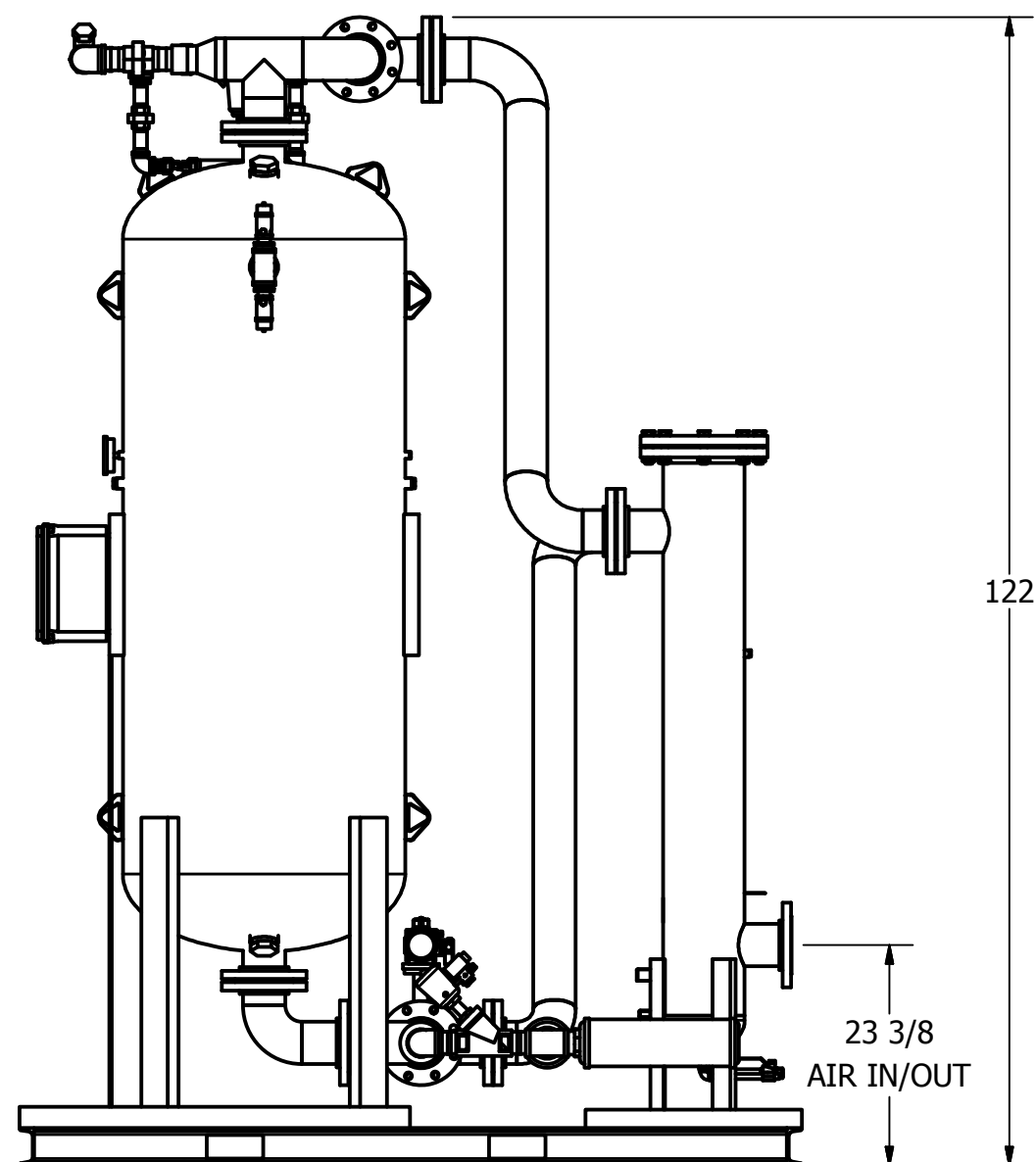
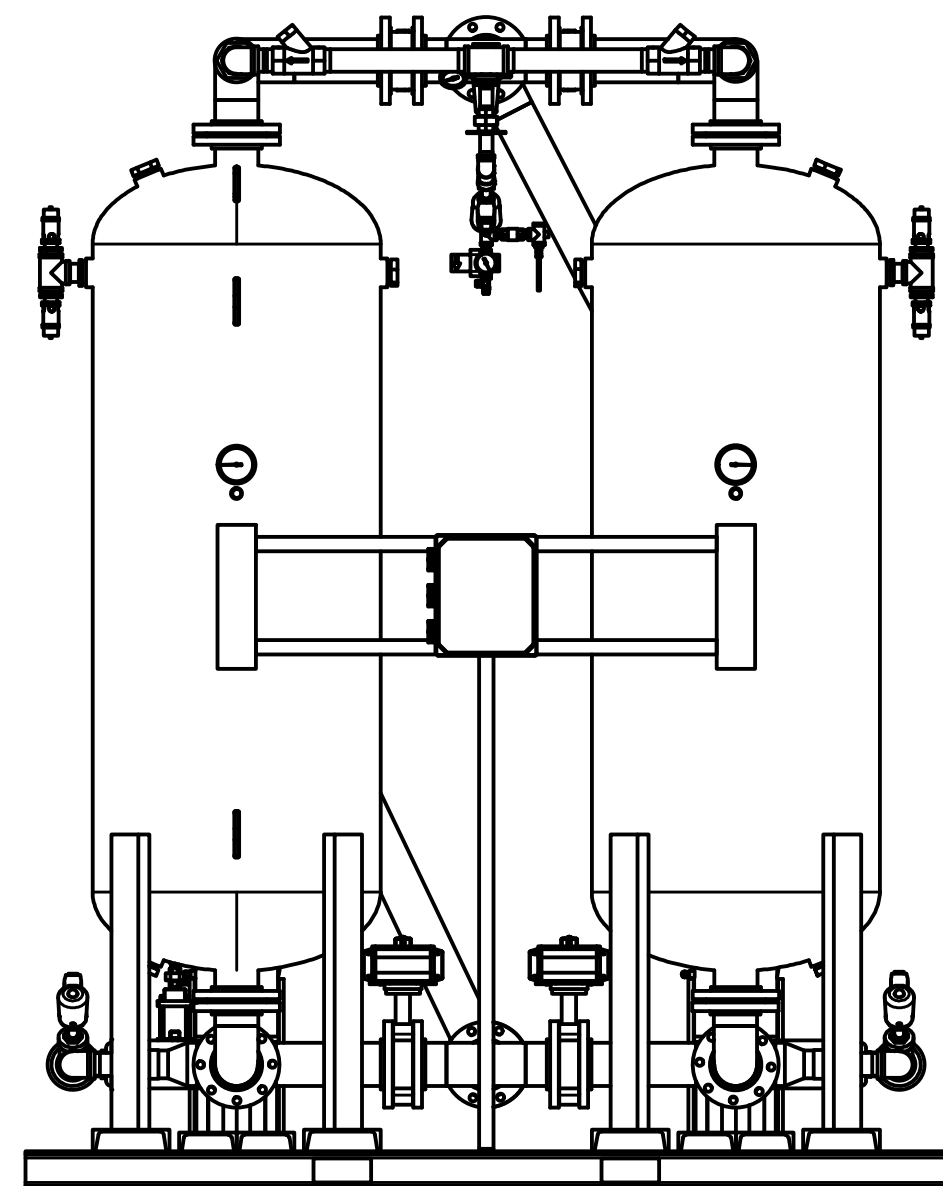
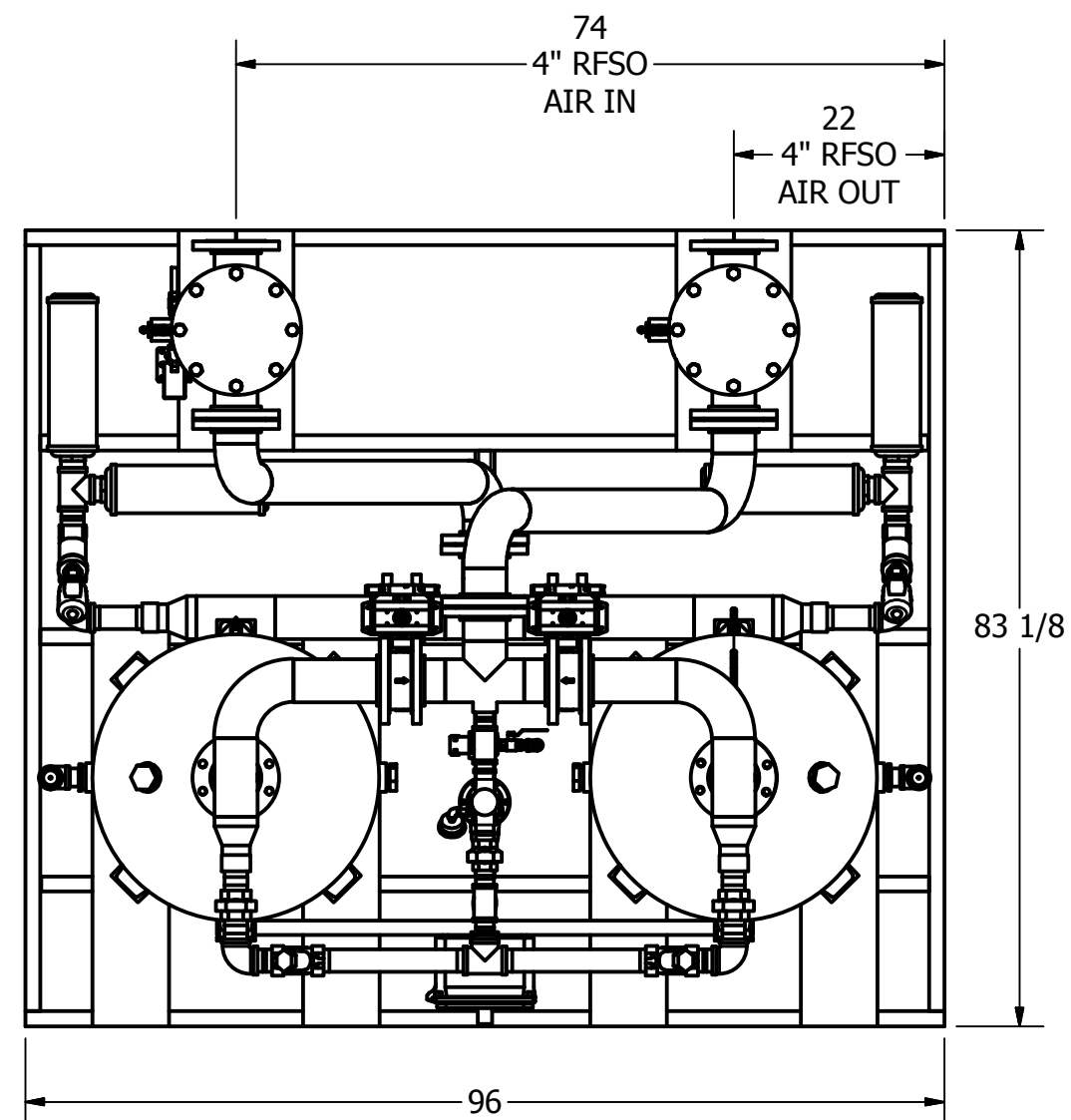
REV.
D

DRAWN: MR
CHECKED:

DATE: 6/3/2015
DATE:

SCALE: N/A

SHEET: 1 OF 2



PRELIMINARY



HRL-2000-1 HEATLESS DESICCANT AIR DRYER GENERAL ARRANGEMENT

TOLERANCES UNLESS
OTHERWISE SPECIFIED:

FRACTIONS = ± 1/4 "
 ANGLES = ± 3°
 INCHES = ± 1/2 "
 FINISH = 250

THE SPECIFICATIONS AND DRAWINGS DISCLOSED HEREIN ARE THE SOLE PROPERTY OF ALTEC AIR, AND SHALL NOT BE COPIED OR USED AS THE BASIS FOR SALE OR MANUFACTURE WITHOUT EXPRESS WRITTEN PERMISSION.

REVISION LOG

REV.	ECO.	DESCRIPTION	DATE	APPROVED
D	0782	CHANGED C-C TO 52", REVISED LLS	10/24/2018	WS

DRAWING NO.

AT20-286

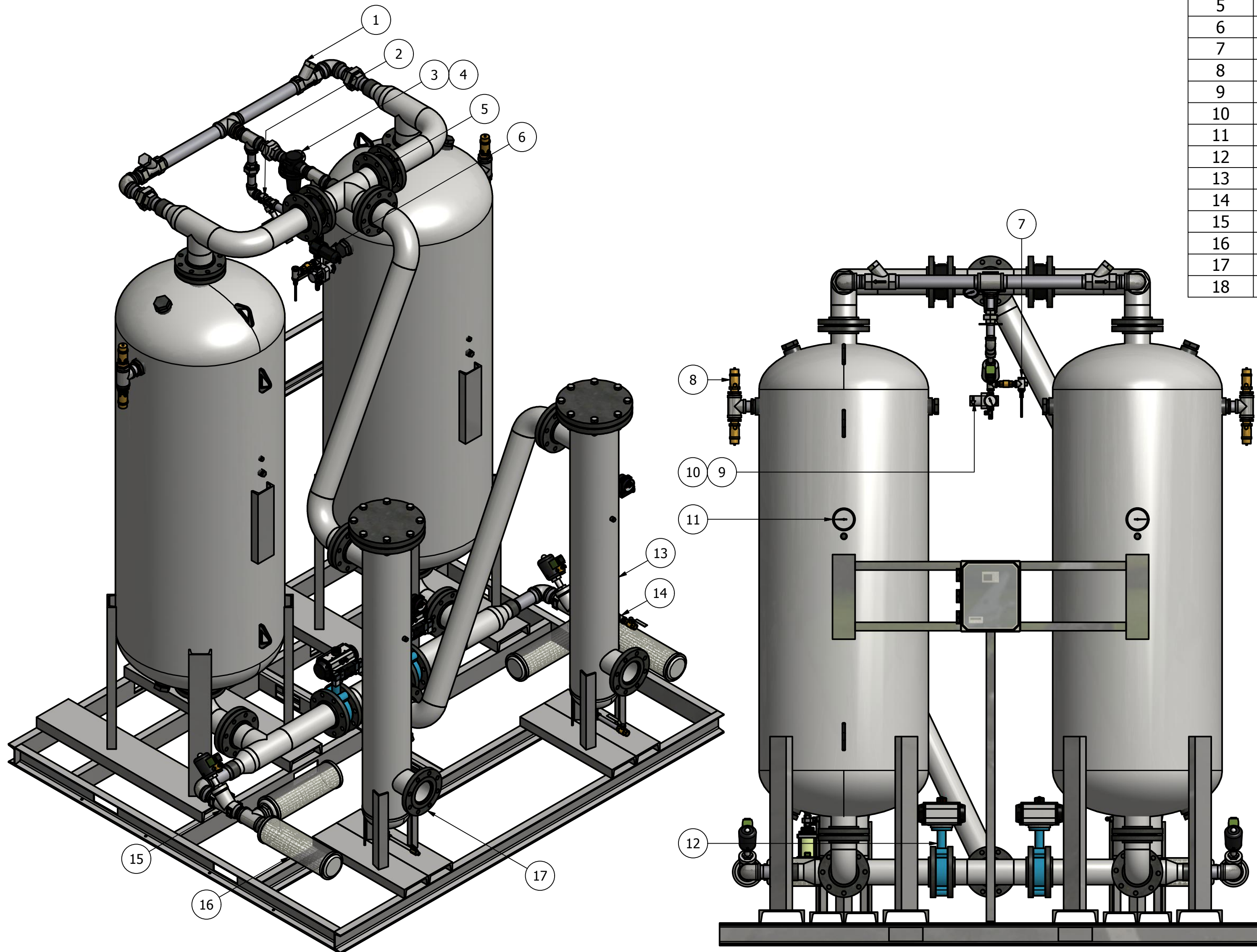
REV.
D

DRAWN: MR DATE: 6/3/2015
 CHECKED: DATE:

SCALE: N/A SHEET: 2 OF 2

PARTS LIST

ITEM	QTY	DESCRIPTION
1	2	CHECK VALVE, PURGE
2	1	ANGLE BODY VALVE, REPRESS
3	1	PRESSURE REGULATOR, PURGE
4	1	PRESSURE GAUGE, PURGE
5	2	CHECK VALVE, OUTLET
6	1	PARTICULATE FILTER, CONTROL
7	1	DEW POINT MONITOR (OPTIONAL)
8	4	RELIEF VALVE, TANK
9	1	PRESSURE REGULATOR, CONTROL
10	1	PRESSURE GAUGE, CONTROL
11	2	PRESSURE GAUGE, TANK
12	2	BUTTERFLY VALVE, INLET
13	1	COALESCER PRE-FILTER
14	1	ZERO LOSS DRAIN
15	2	ANGLE BODY VALVE, EXHAUST
16	4	MUFFLER, EXHAUST
17	1	PARTICULATE AFTER-FILTER
18	2,200 LBS	DESICCANT



PRELIMINARY