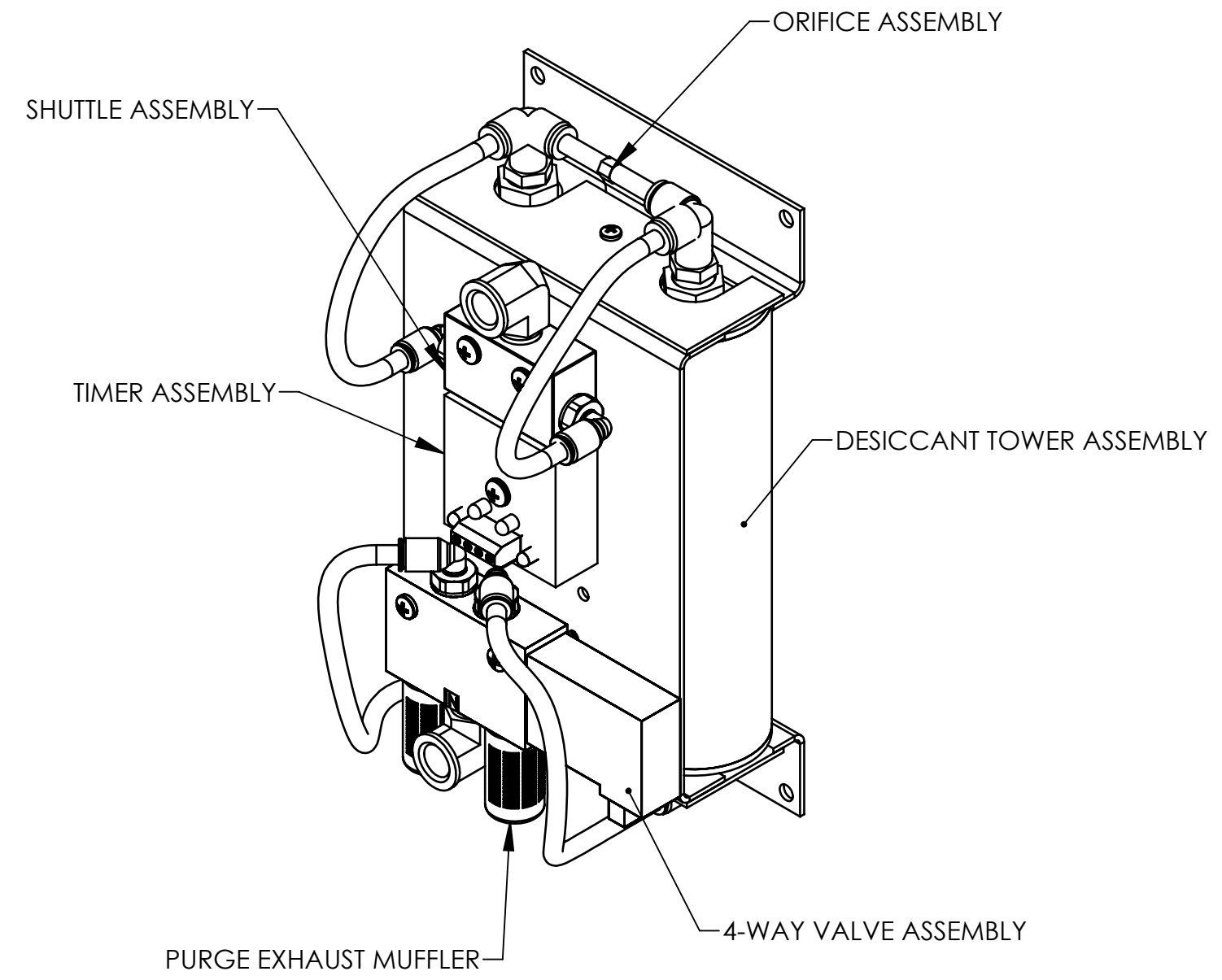
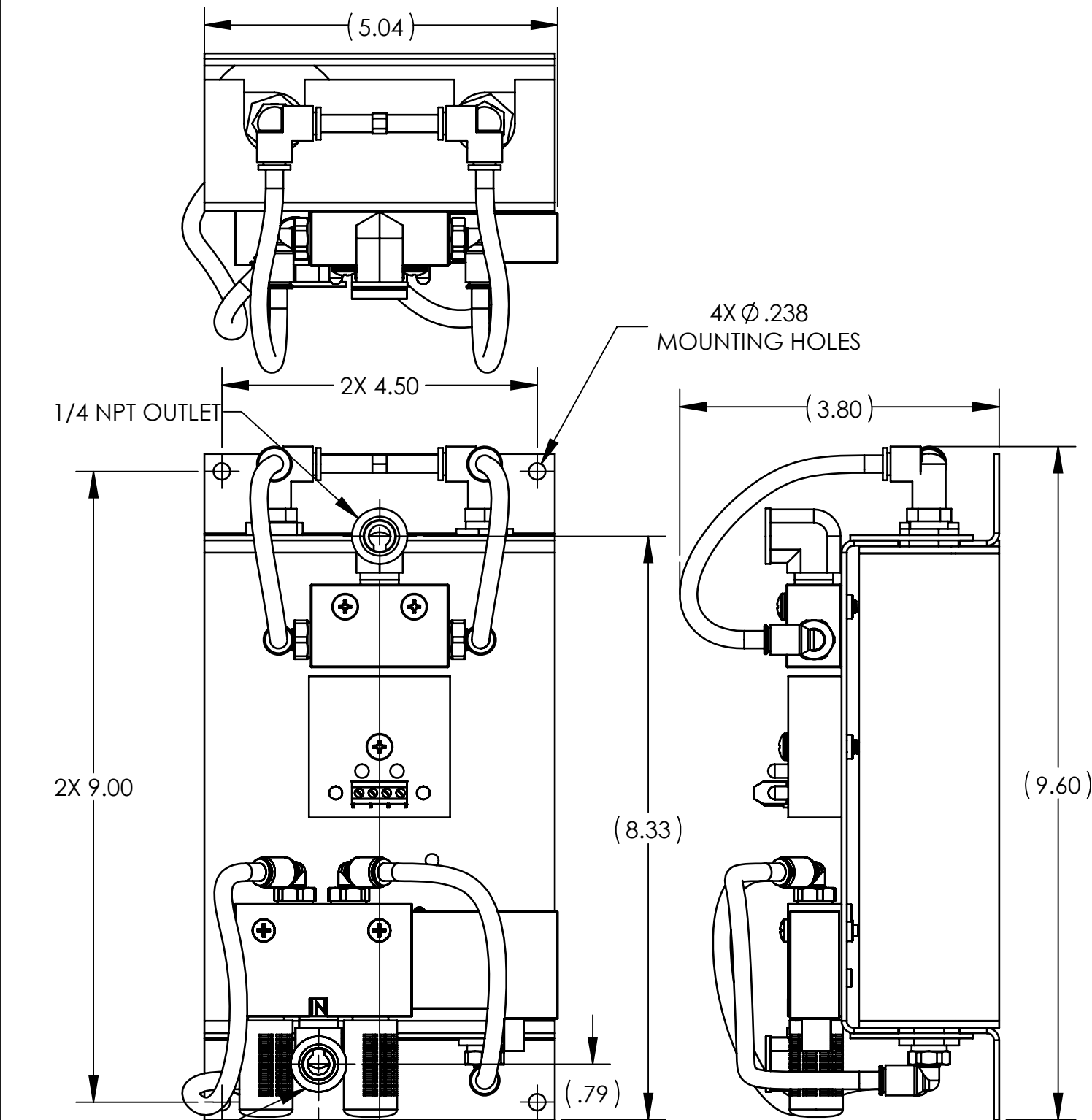


SALES DRAWING



NOTES:
 1. ELECTRICAL RATING: NEMA 1
 2. PURGE CYCLE: 60 SECONDS PER SIDE CONTINUOUS
 3. WEIGHT: 2.2 LBS

VOLTAGE	TERMINAL TYPE	POWER
115 VAC	SCREW	6 WATTS
230 VAC		
12 VDC	1/4" SPADE	
24 VDC		

DRAWN	MBD	UNLESS OTHERWISE NOTED, TOLERANCES ARE: FRACTIONS: $\pm 1/16$ ANGLES: $\pm 0^{\circ}30'$ DECIMAL: .X = $\pm .06$.XX = $\pm .03$.XXX = $\pm .015$.XXXX = $\pm .0030$ MACHINED SURFACES: 125 MICRINCHES THESE TOLERANCES DO NOT APPLY TO BASIC DIMENSIONS. DO NOT SCALE THIS PRINT, REMOVE ALL BURRS & SHARP EDGES, ALL DIMENSIONS ARE IN INCHES. CAD SOFTWARE: SOLIDWORKS. DRAWING DIMENSIONED TO ALTEC STANDARD: CDS-0007.
APPROVED	-	
DATE	07/28/2020	
MATERIAL		
FINISH		TITLE: MDH5 ASSY CONFIDENTIAL: This drawing and its contents are the proprietary and confidential information of Altec Industries, Inc. and are not to be reproduced, copied or publicly disclosed. If this drawing is provided to someone outside Altec, it is done so for the limited purpose of assisting that recipient with a technical or product issue. In receiving this drawing, the recipient agrees to maintain it in confidence and not to use it beyond the purpose previously stated. Recipient agrees not to reproduce, copy, or publicly disclose this drawing and its contents.

Altec | AIR
 226A COMMERCE ST, BROOMFIELD, CO 80020

SCALE	WEIGHT	SIZE	NUMBER	REV
1:2	-	2	MDH5-XHE	A