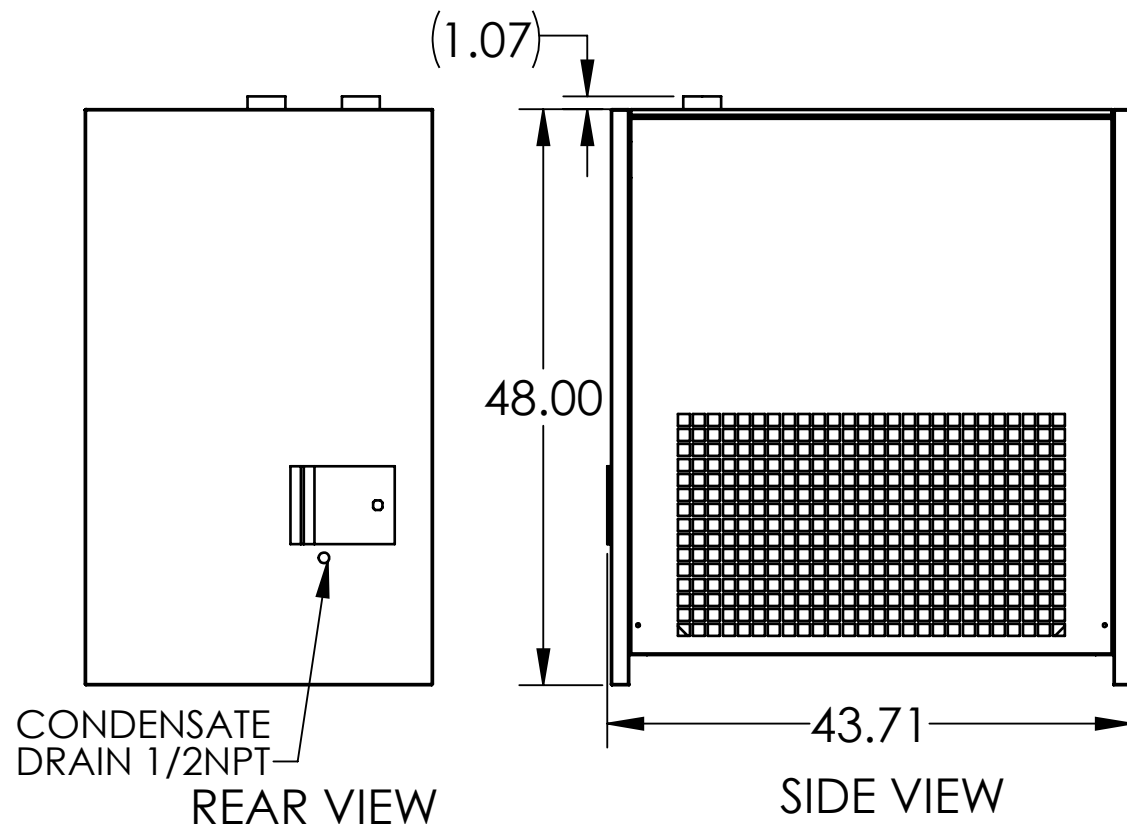
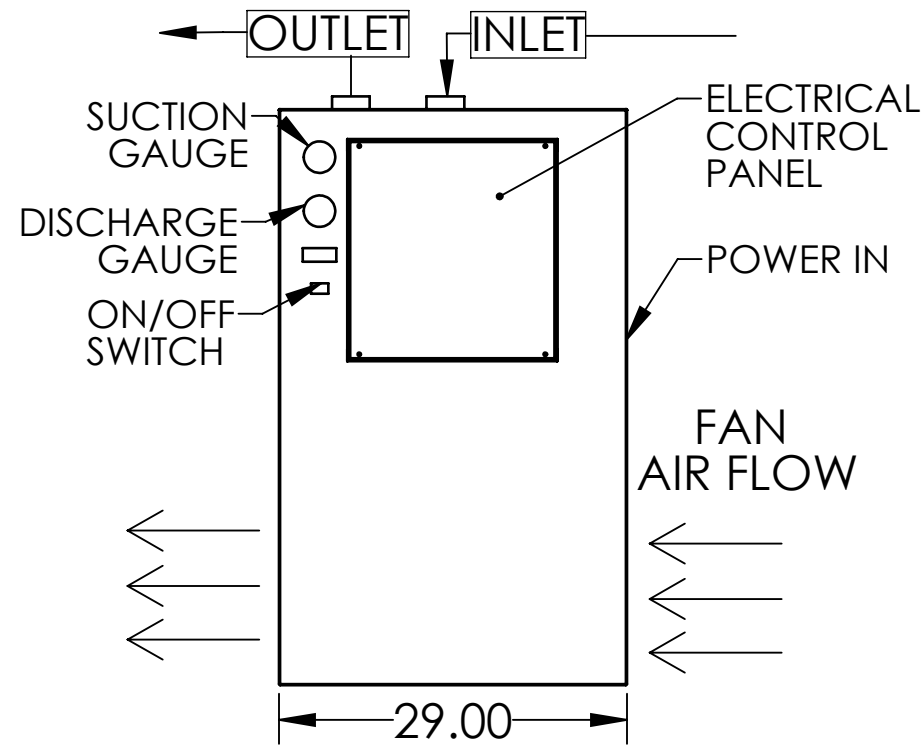


TOP VIEW



REAR VIEW

SIDE VIEW



FRONT VIEW

MODEL	MHT200A-3	MHT200A-4	MHT200A-5
VOLTAGE	230VAC-3PH-60HZ	460VAC-3PH-60HZ	575VAC-3PH-60HZ
VOLTAGE RANGE	197-253	414-506	483-667
RLA	3.6	6.5	6.5
LRA	36	38	38
MIN. CIRCUIT AMP	5.9	9.1	9.1
MAX. FUSE SIZE	15	20	20
MAX. INLET AIR TEMP - F	180	180	180
MIN/MAX AMBIENT TEMP - F	45/110	45/110	45/110
REF. SYSTEM DESIGN - PSIG	181/450	181/450	181/450
SUCTION / DISCHARGE - PSIG	70/225	70/225	70/225
REF. COMPRESSOR HP	2	2	2
REFRIGERANT TYPE	R404A	R404A	R404A
REFRIGERANT CHARGE	5 LBS	5 LBS	5 LBS
MAX AIR PRESSURE - PSIG	232	232	232
INLET / OUTLET PORT - NPT	2" NPT	2" NPT	2" NPT

NOTES:

CONDENSER TYPE - AIR-COOLED
WEIGHT - 486 LBS

DRAWN J. DIMAIOLO	UNLESS OTHERWISE NOTED, TOLERANCES ARE: FRACTIONS: ±1/16 ANGLES: ±0°30' DECIMAL: .X = ±.06 .XX = ±.03 .XXX = ±.015 .XXXX = ±.0030 MACHINED SURFACES: 125 MICRINCHES THESE TOLERANCES DO NOT APPLY TO BASIC DIMENSIONS.
APPROVED	
DATE 12/21/2020	DO NOT SCALE THIS PRINT, REMOVE ALL BURRS & SHARP EDGES, ALL DIMENSIONS ARE IN INCHES. CAD SOFTWARE: SOLIDWORKS. DRAWING DIMENSIONED TO ALTEC STANDARD: CDS-0007.
MATERIAL	
FINISH	TITLE: Refrigerated Dryer-Non Cycling 200 scfm
<small>CONFIDENTIAL: This drawing and its contents are the proprietary and confidential information of Altec Industries, Inc. and are not to be reproduced, copied or publicly disclosed. If this drawing is provided to someone outside Altec, it is done so for the limited purpose of assisting that recipient with a technical or product issue. In receiving this drawing, the recipient agrees to maintain it in confidence and not to use it beyond the purpose previously stated. Recipient agrees not to reproduce, copy, or publicly disclose this drawing and its contents.</small>	



SCALE	WEIGHT	SIZE	NUMBER	REV
1:16	92.5	2	MHT200A-X	A