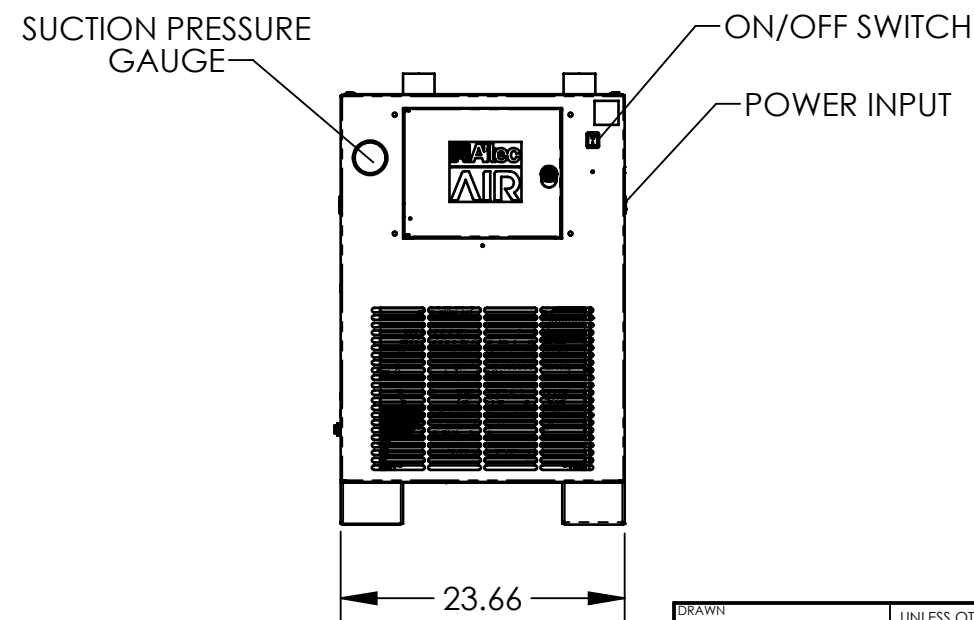
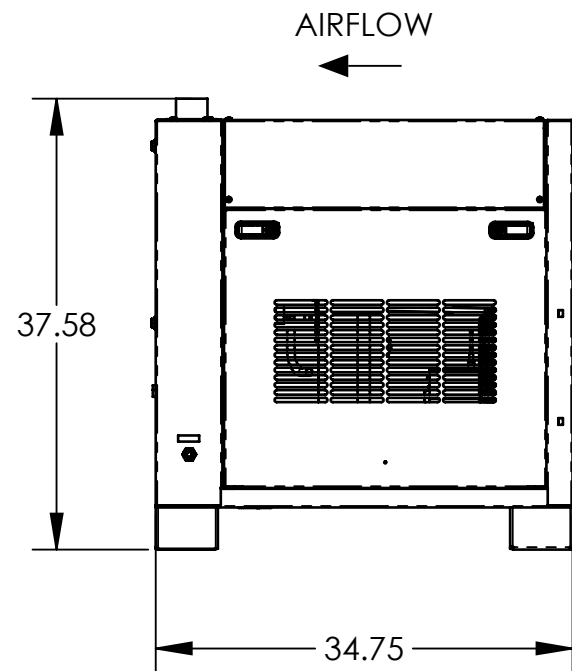
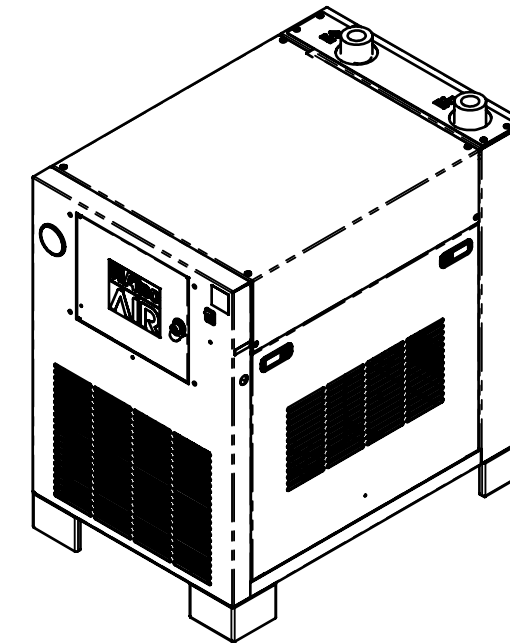
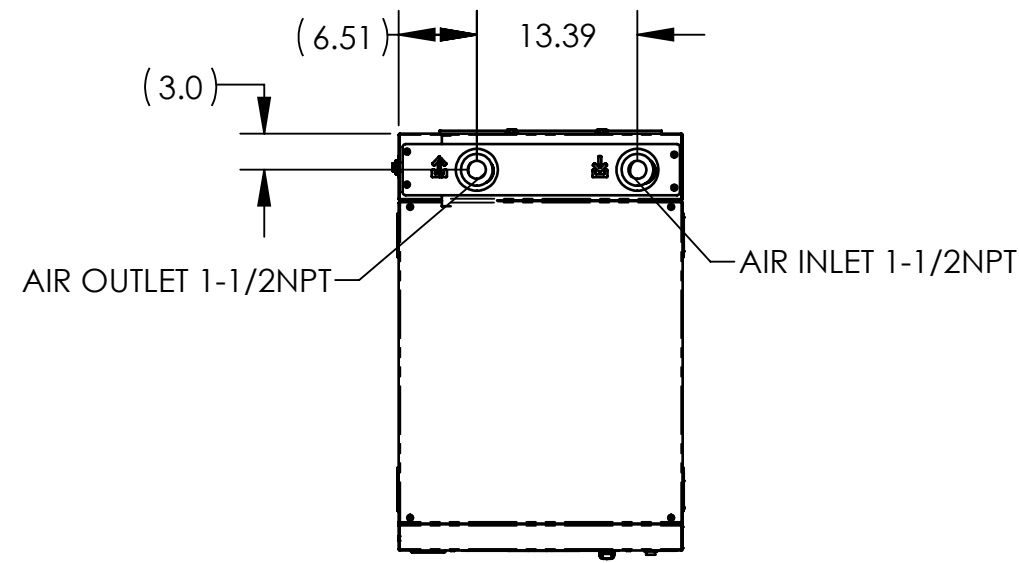


MODEL	RAD-0250A-4
MAX INLET AIR TEMP (F)	140°
MIN/MAX AMBIENT TEMP (F)	45/120
VOLTAGE	460V-3PH-60HZ
REFRIGERANT	R404A
REFRIGERANT CHARGE (OZ)	37
LRA	20
RLA	3.9
MCA	2.9
MOP	15
COMPRESSOR	SCROLL
INLET/OUTLET PORT (NPT)	1-1/2
DESIGN PRESSURE LOW/HIGH (PSIG)	150/300
COMPRESSOR HP	1-1/4
WEIGHT (LBS)	300
PLUG TYPE	NO PLUG
POWER CORD LENGTH (FT)	NO CORD



DRAWN M. DELEON	UNLESS OTHERWISE NOTED, TOLERANCES ARE: FRACTIONS: $\pm 1/16$ ANGLES: $\pm 0^{\circ}30'$ DECIMAL: .X = $\pm .06$   .XX = $\pm .03$   .XXX = $\pm .015$   .XXXX = $\pm .0030$ MACHINED SURFACES: 125 MICRONS THESE TOLERANCES DO NOT APPLY TO BASIC DIMENSIONS.
APPROVED	
DATE 02/24/2022	DO NOT SCALE THIS PRINT, REMOVE ALL BURRS & SHARP EDGES, ALL DIMENSIONS ARE IN INCHES. CAD SOFTWARE: SOLIDWORKS. DRAWING DIMENSIONED TO ALTEC STANDARD: CDS-0007.
MATERIAL	
FINISH	



TITLE: REFRIGERATED, NON CYCLING, 250 SCFM, 460/1/60

CONFIDENTIAL: This drawing and its contents are the proprietary and confidential information of Altec Industries, Inc. and are not to be reproduced, copied or publicly disclosed. If this drawing is provided to someone outside Altec, it is done so for the limited purpose of assisting that recipient with a technical or product issue. In receiving this drawing, the recipient agrees to maintain it in confidence and not to use it beyond the purpose previously stated. Recipient agrees not to reproduce, copy, or publicly disclose this drawing and its contents.

SCALE	WEIGHT	SIZE	NUMBER	REV
1:16		2	100517879	C