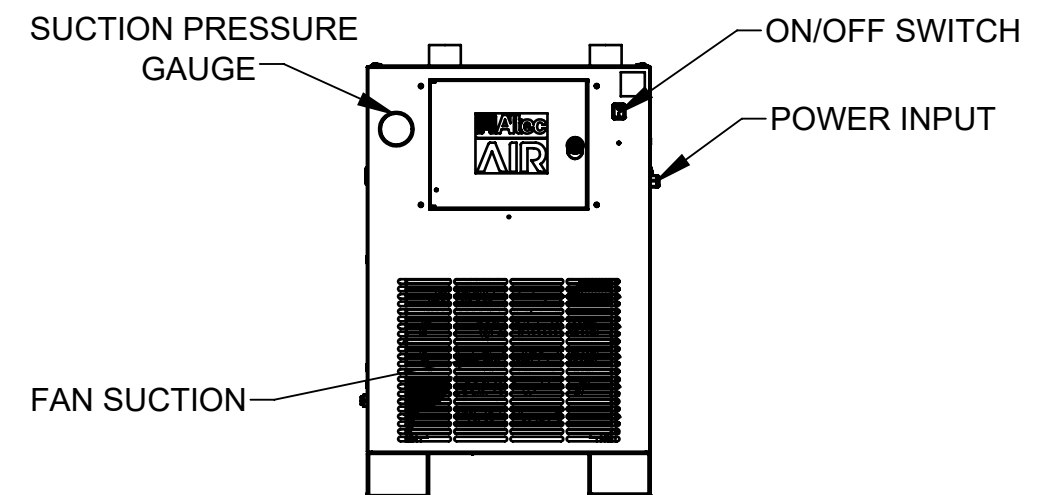
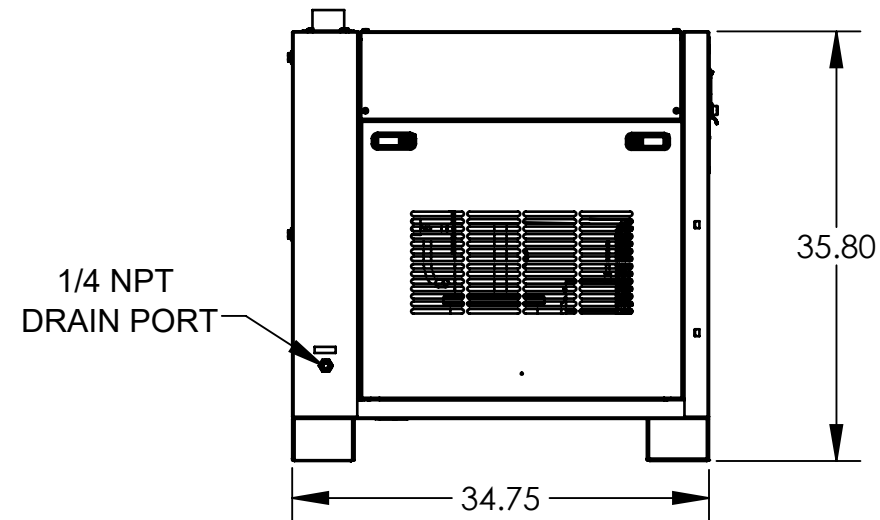
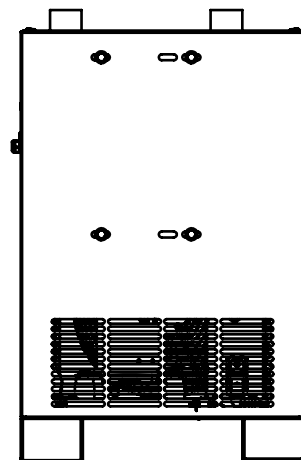
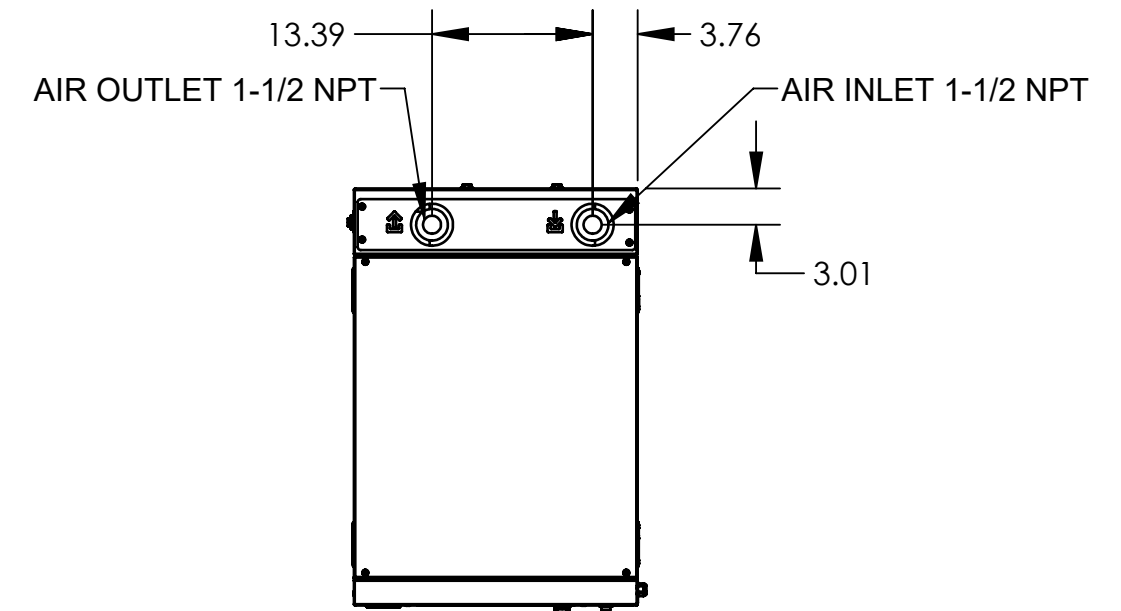
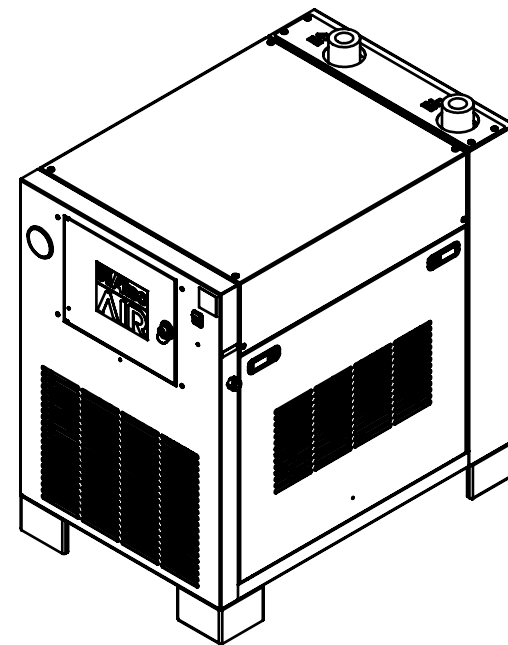


| | |
|--------------------------|---------------|
| MODEL | RAD-0250A-5 |
| MAX INLET AIR TEMP (F) | 140 |
| MIN/MAX AMBIENT TEMP (F) | 45/120 |
| VOLTAGE | 575V-3Ph-60Hz |
| REFRIGERANT | R404A |
| REFRIGERANT CHARGE (OZ) | 37 |
| LRA | 16 |
| RLA | 3.1 |
| MCA | 2.3 |
| MOP | 15 |
| COMPRESSOR | SCROLL |
| INLET/OUTLET PORT (NPT) | 1-1/2 |
| DESIGN PRESSURE LOW/HIGH | 181/450 |
| COMPRESSOR HP | 1-1/4 |
| WEIGHT | 330 |
| PLUG TYPE | NO PLUG |
| POWER CORD LENGTH (FT) | NO CORD |



| | | | | | | | | |
|--------------------|----------------------------------------------------------------------------------------------------------------------------------------------------------------------------------------------------------------------------------------------------------------------------|--|---------------------------------------------------------------------------------------------------------------------------------------------------------------------------------------------------------------------------------------------------------------------------------------------------------------------------------------------------------------------------------------------------------------------------------------------------------------------------------------------------------------------------------------------------------------------------------|---------------|--------|-----------|---------------------|----------|
| DRAWN M. DELEON | UNLESS OTHERWISE NOTED, TOLERANCES ARE: FRACTIONS: $\pm 1/16$ ANGLES: $\pm 0^{\circ}30'$ DECIMAL: .X = $\pm .06$.XX = $\pm .03$.XXX = $\pm .015$.XXXX = $\pm .0030$ MACHINED SURFACES: 125 MICRONS THESE TOLERANCES DO NOT APPLY TO BASIC DIMENSIONS. | | 226A COMMERCE ST, BROOMFIELD, CO 80020 | | | | | |
| APPROVED | | | | | | | | |
| DATE 09/30/2021 | DO NOT SCALE THIS PRINT, REMOVE ALL BURRS & SHARP EDGES, ALL DIMENSIONS ARE IN INCHES. CAD SOFTWARE: SOLIDWORKS. DRAWING DIMENSIONED TO ALTEC STANDARD: CDS-0007. | | TITLE: DRYR-REFRIG; NON-CYCL; 250 SCFM; 575V/3PH; 60 HZ | | | | | |
| MATERIAL | | | | | | | | |
| FINISH | | | CONFIDENTIAL: This drawing and its contents are the proprietary and confidential information of Altec Industries, Inc. and are not to be reproduced, copied or publicly disclosed. If this drawing is provided to someone outside Altec, it is done so for the limited purpose of assisting that recipient with a technical or product issue. In receiving this drawing, the recipient agrees to maintain it in confidence and not to use it beyond the purpose previously stated. Recipient agrees not to reproduce, copy, or publicly disclose this drawing and its contents. | SCALE 1:16 | WEIGHT | SIZE 2 | NUMBER 100517880 | REV B |