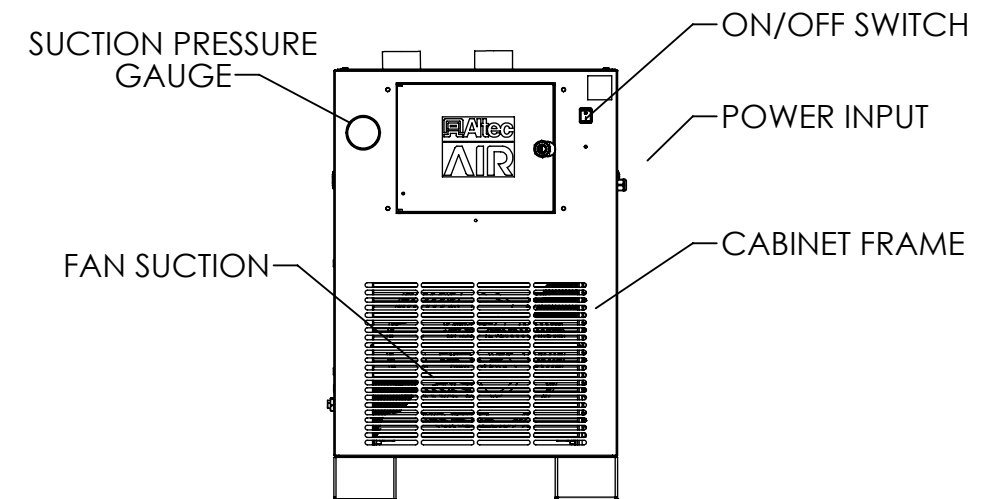
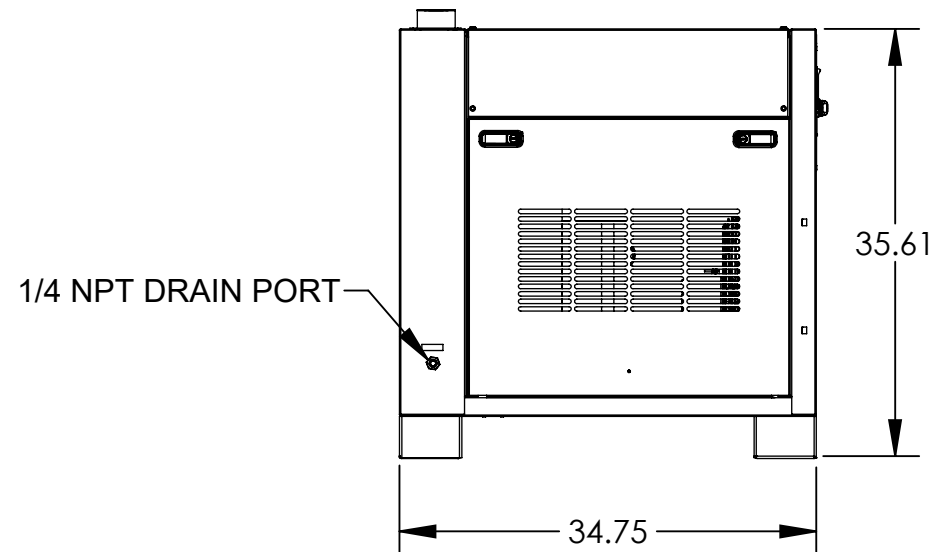
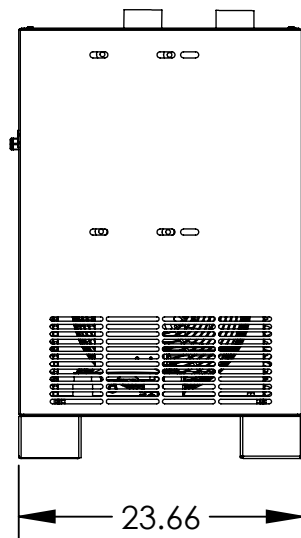
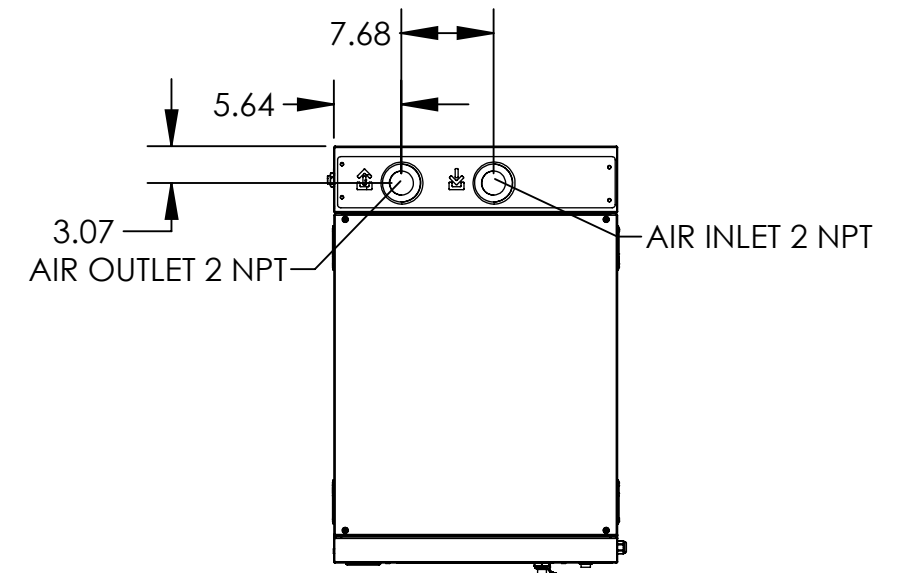
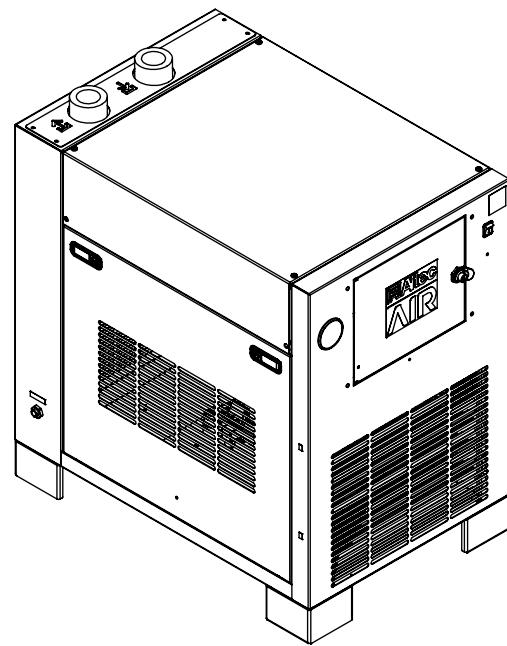




MODEL	RAD-0300A-3
MAX INLET AIR TEMP (F)	140
MIN/MAX AMBIENT TEMP (F)	45/120
VOLTAGE	230V-3Ph-60Hz
REFRIGERANT	R404A
REFRIGERANT CHARGE (OZ)	37
LRA	38
RLA	6
MCA	5.8
MOP	15
COMPRESSOR	SCROLL
INLET/OUTLET PORT (NPT)	2
DESIGN PRESSURE LOW/HIGH (PSIG)	181/450
COMPRESSOR HP	1-1/4
WEIGHT (LBS)	345
PLUG TYPE	NO PLUG
POWER CORD LENGTH (FT)	NO CORD



DRAWN M. DELEON	UNLESS OTHERWISE NOTED, TOLERANCES ARE: FRACTIONS: $\pm 1/16$ ANGLES: $\pm 0^{\circ}30'$ DECIMAL: .X = $\pm .06$.XX = $\pm .03$.XXX = $\pm .015$.XXXX = $\pm .0030$ MACHINED SURFACES: 125 MICRONS THESE TOLERANCES DO NOT APPLY TO BASIC DIMENSIONS.	 226A COMMERCE ST, BROOMFIELD, CO 80020												
	APPROVED					DO NOT SCALE THIS PRINT, REMOVE ALL BURRS & SHARP EDGES, ALL DIMENSIONS ARE IN INCHES. CAD SOFTWARE: SOLIDWORKS. DRAWING DIMENSIONED TO ALTEC STANDARD: CDS-0007.								
DATE 09/30/2021	TITLE: DRYR-REFRIG; NON-CYCL; 300 SCFM; 230V/3PH; 60 HZ													
MATERIAL	<table border="1"> <thead> <tr> <th>SCALE</th> <th>WEIGHT</th> <th>SIZE</th> <th>NUMBER</th> <th>REV</th> </tr> </thead> <tbody> <tr> <td>1:16</td> <td></td> <td>2</td> <td>100517881</td> <td>B</td> </tr> </tbody> </table>				SCALE	WEIGHT	SIZE	NUMBER	REV	1:16		2	100517881	B
SCALE	WEIGHT	SIZE	NUMBER	REV										
1:16		2	100517881	B										
FINISH	<small>CONFIDENTIAL: This drawing and its contents are the proprietary and confidential information of Altec Industries, Inc. and are not to be reproduced, copied or publicly disclosed. If this drawing is provided to someone outside Altec, it is done so for the limited purpose of assisting that recipient with a technical or product issue. In receiving this drawing, the recipient agrees to maintain it in confidence and not to use it beyond the purpose previously stated. Recipient agrees not to reproduce, copy, or publicly disclose this drawing and its contents.</small>													