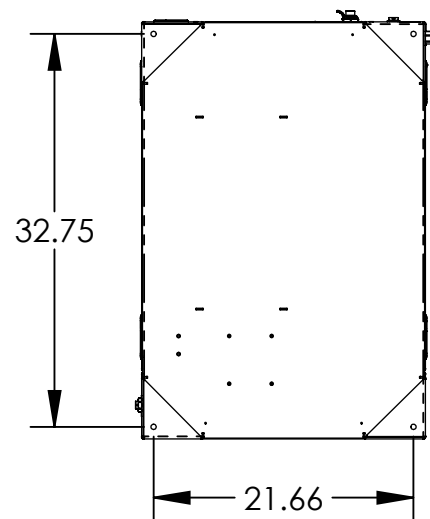
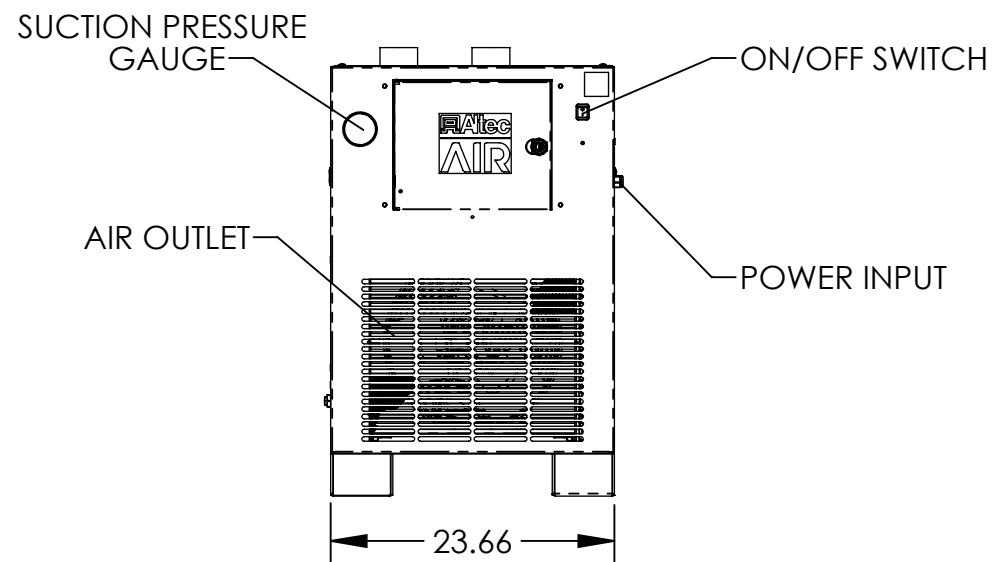
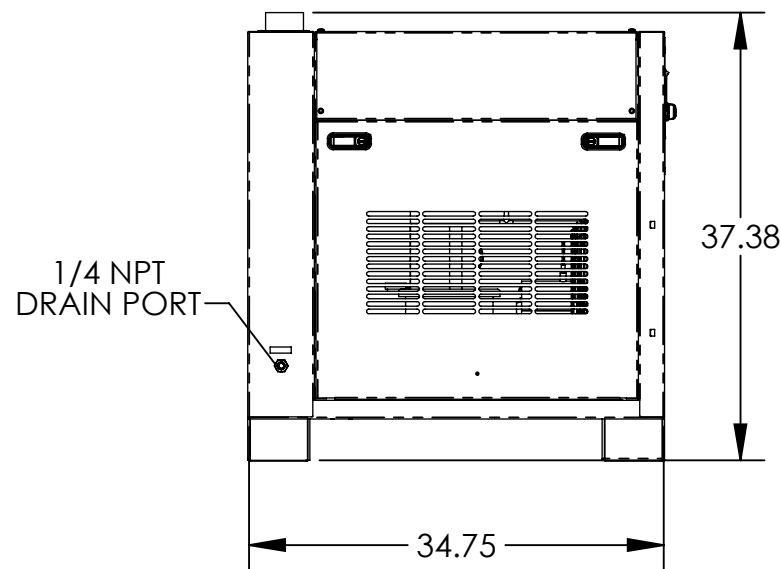
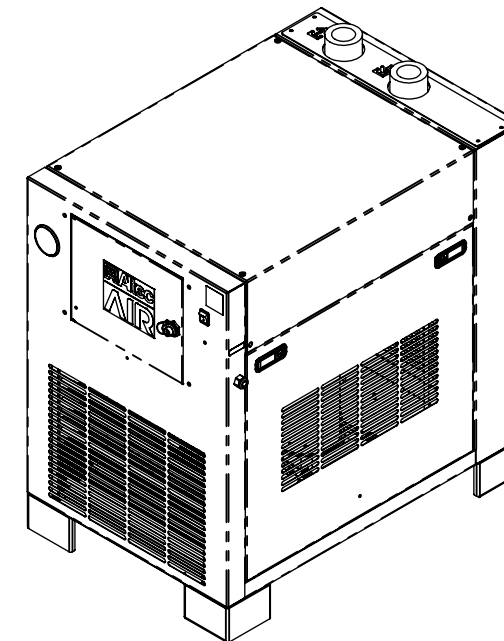
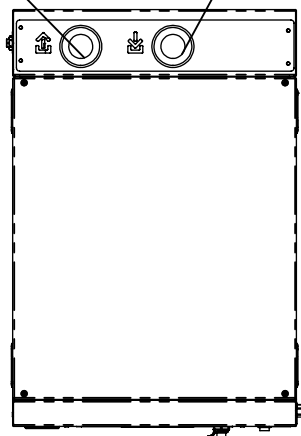


MODEL	RAD-0300A-5
MAX INLET AIR TEMP (F)	140
MIN/MAX AMBIENT TEMP (F)	45/120
VOLTAGE	575V-3Ph-60Hz
REFRIGERANT	R404A
REFRIGERANT CHARGE (OZ)	37
LRA	16
RLA	3.1
MCA	2.3
MOP	15
COMPRESSOR	SCROLL
INLET/OUTLET PORT (NPT)	2
DESIGN PRESSURE LOW/HIGH	150/300
COMPRESSOR HP	1-1/4
WEIGHT (LBS)	345

AIR OUTLET  
2 NPT

AIR INLET  
2 NPT



DRAWN M. DELEON	UNLESS OTHERWISE NOTED, TOLERANCES ARE: FRACTIONS: $\pm 1/16$ ANGLES: $\pm 0^{\circ}30'$ DECIMAL: .X = $\pm .06$   .XX = $\pm .03$   .XXX = $\pm .015$   .XXXX = $\pm .0030$ MACHINED SURFACES: 125 MICRONS THESE TOLERANCES DO NOT APPLY TO BASIC DIMENSIONS.	
APPROVED		
DATE 09/30/2021	DO NOT SCALE THIS PRINT, REMOVE ALL BURRS & SHARP EDGES, ALL DIMENSIONS ARE IN INCHES. CAD SOFTWARE: SOLIDWORKS. DRAWING DIMENSIONED TO ALTEC STANDARD: CDS-0007.	
MATERIAL		
FINISH	TITLE: DRYR-REFRIG; NON-CYCL; 300; 575V/3PH; 60 HZ	

**Ateco | AIR**  
226A COMMERCE ST, BROOMFIELD, CO 80020

CONFIDENTIAL: This drawing and its contents are the proprietary and confidential information of Altec Industries, Inc. and are not to be reproduced, copied or publicly disclosed. If this drawing is provided to someone outside Altec, it is done so for the limited purpose of assisting that recipient with a technical or product issue. In receiving this drawing, the recipient agrees to maintain it in confidence and not to use it beyond the purpose previously stated. Recipient agrees not to reproduce, copy, or publicly disclose this drawing and its contents.	SCALE 1:16	WEIGHT -	SIZE 2	NUMBER 100517883	REV C
---	---------------	-------------	-----------	---------------------	----------