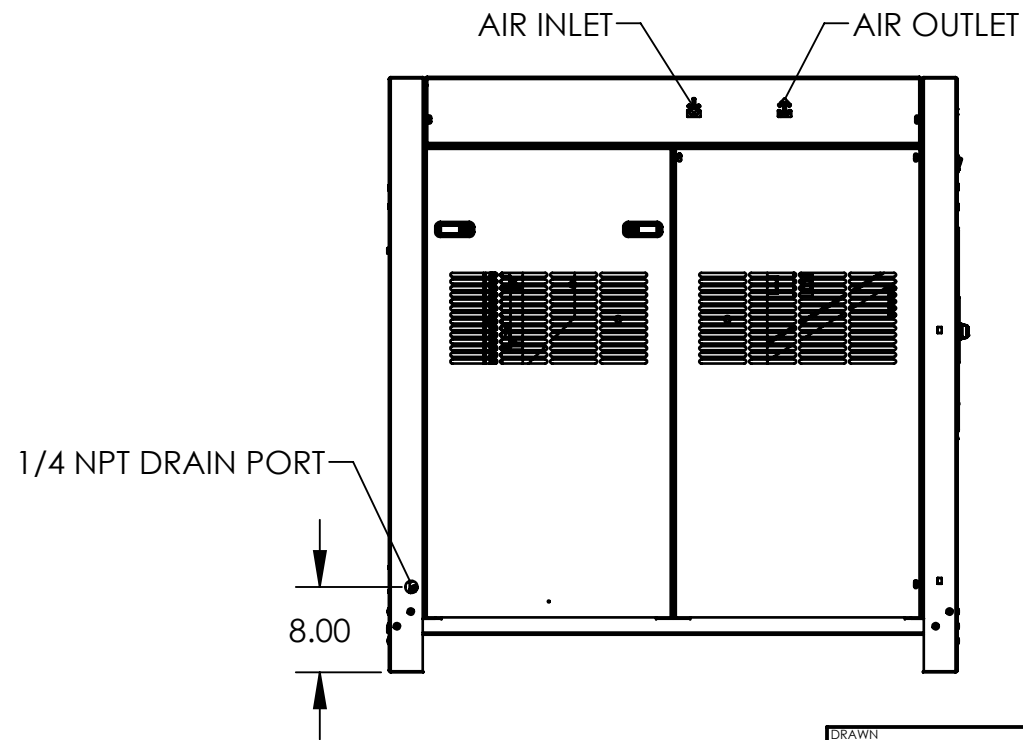
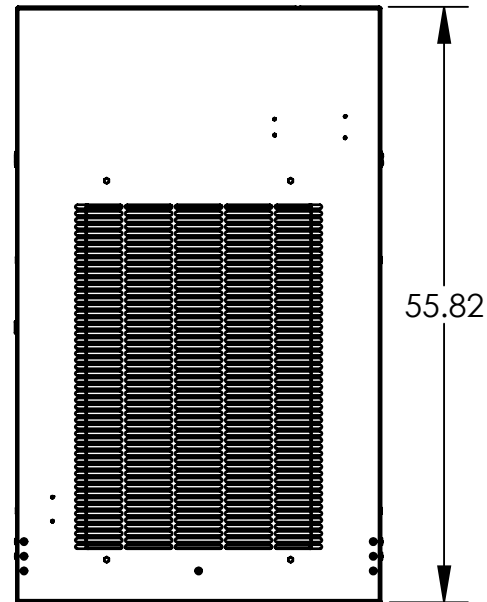
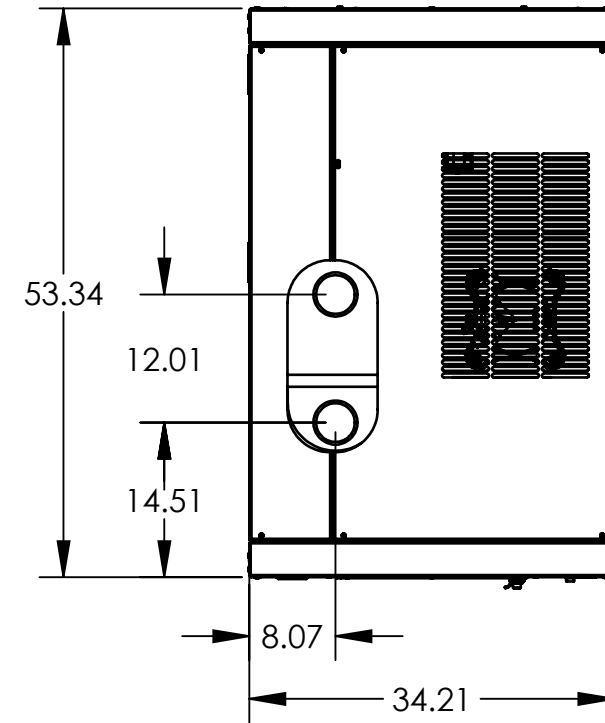
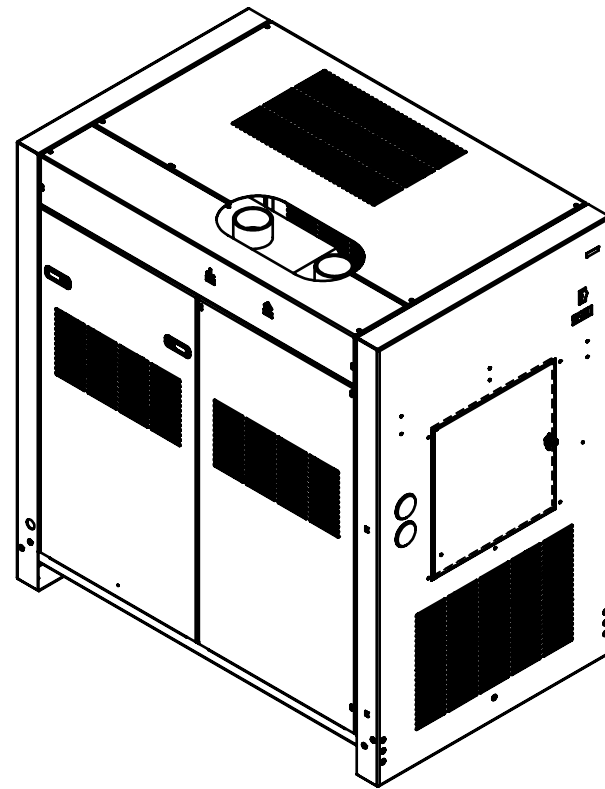
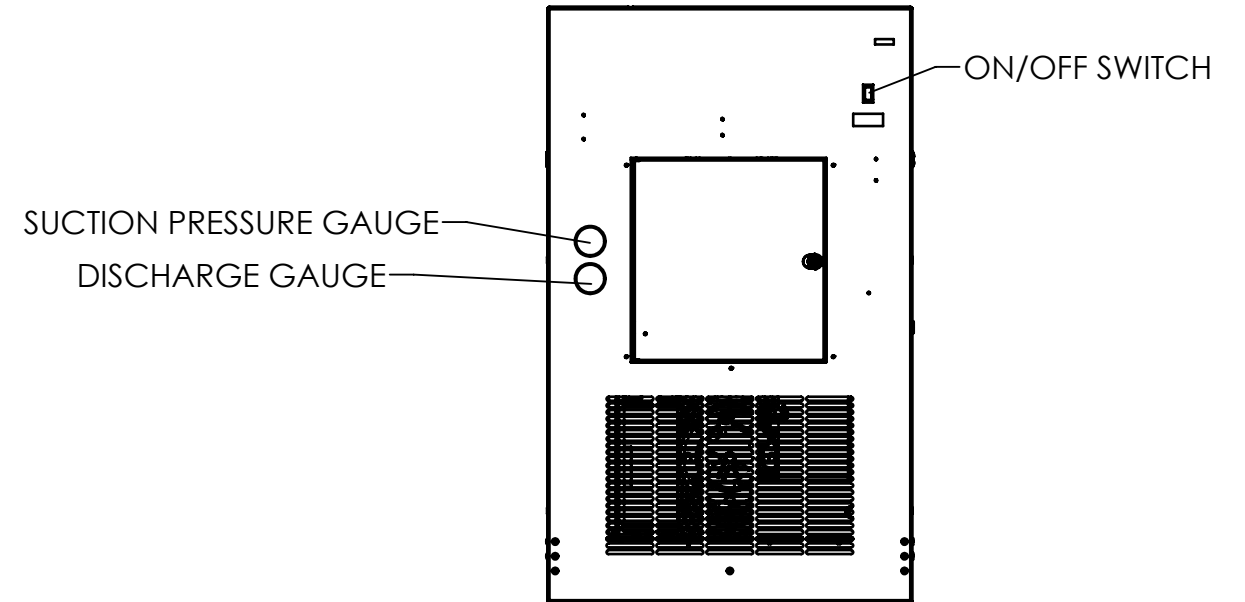


MODEL	RAD-1250A-5
VOLTAGE	575V-3PH-60HZ
RLA	9.2
LRA	50.4
MCA	9.4
MOP	25
COMPRESSOR HP	7
COMPRESSOR	SCROLL
REFRIGERANT	R449A
REFRIGERANT CHARGE (OZ)	160
MAX INLET AIR TEMP (F)	140
MAX INLET AIR PRESSURE (PSI)	232
MIN/MAX AMBIENT TEMP (F)	45/120
REFRIGERANT PRESSURE RANGE (PSI)	181/450
INLET/OUTLET PORT (NPT)	3
WEIGHT(LB)	625



AIRFLOW
→



DRAWN	J. GAMBLE
APPROVED	-
DATE	10/20/2022
MATERIAL	
FINISH	

UNLESS OTHERWISE NOTED, TOLERANCES ARE:
 FRACTIONS: $\pm 1/16$ ANGLES: $\pm 0^{\circ}30'$
 DECIMAL: .X = $\pm .06$ | .XX = $\pm .03$ | .XXX = $\pm .015$ | .XXXX = $\pm .0030$
 MACHINED SURFACES: 125 MICRONS
 THESE TOLERANCES DO NOT APPLY TO BASIC DIMENSIONS.

DO NOT SCALE THIS PRINT, REMOVE ALL BURRS & SHARP EDGES, ALL DIMENSIONS ARE IN INCHES.
 CAD SOFTWARE: SOLIDWORKS.
 DRAWING DIMENSIONED TO ALTEC STANDARD: CDS-0007.

TITLE: DRYR-REFRIG; NON-CYCL; 1250 SCFM; 575V/3PH; 60 HZ

CONFIDENTIAL: This drawing and its contents are the proprietary and confidential information of Altec Industries, Inc. and are not to be reproduced, copied or publicly disclosed. If this drawing is provided to someone outside Altec, it is done so for the limited purpose of assisting that recipient with a technical or product issue. In receiving this drawing, the recipient agrees to maintain it in confidence and not to use it beyond the purpose previously stated. Recipient agrees not to reproduce, copy, or publicly disclose this drawing and its contents.



SCALE	WEIGHT	SIZE	NUMBER	REV
1:18		2	100520478	A