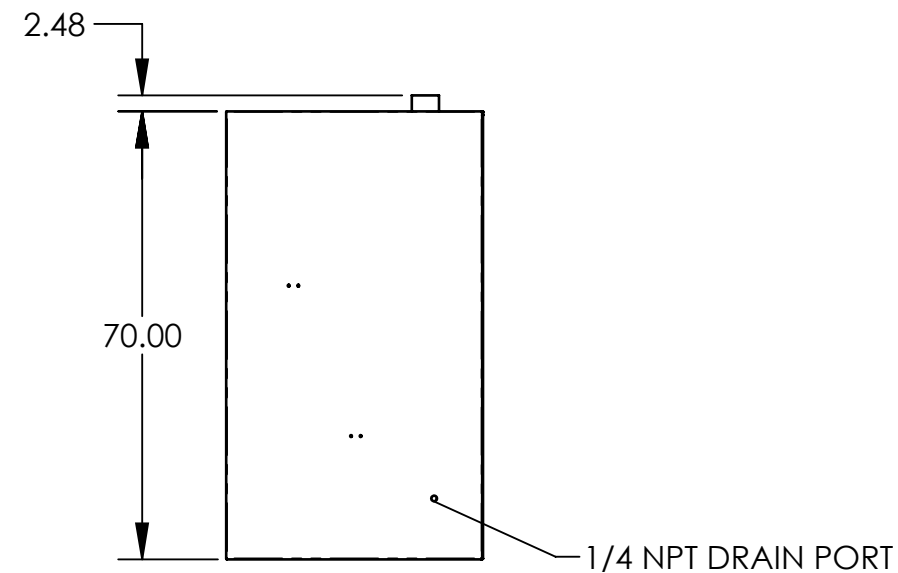
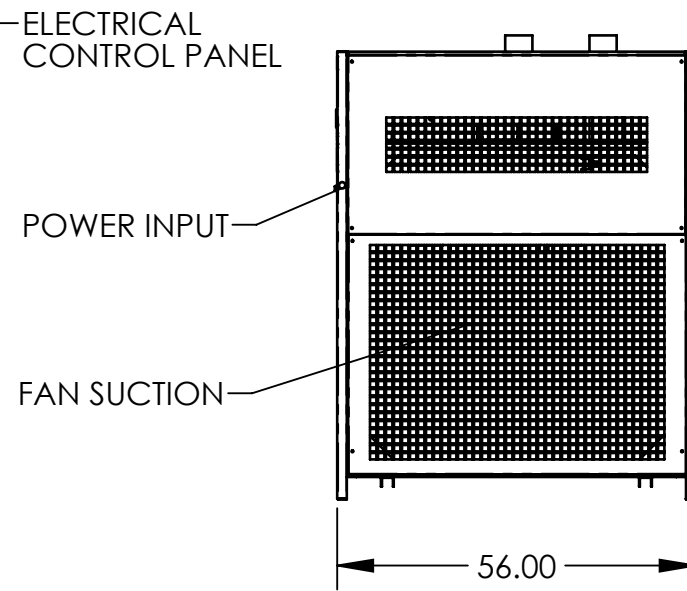
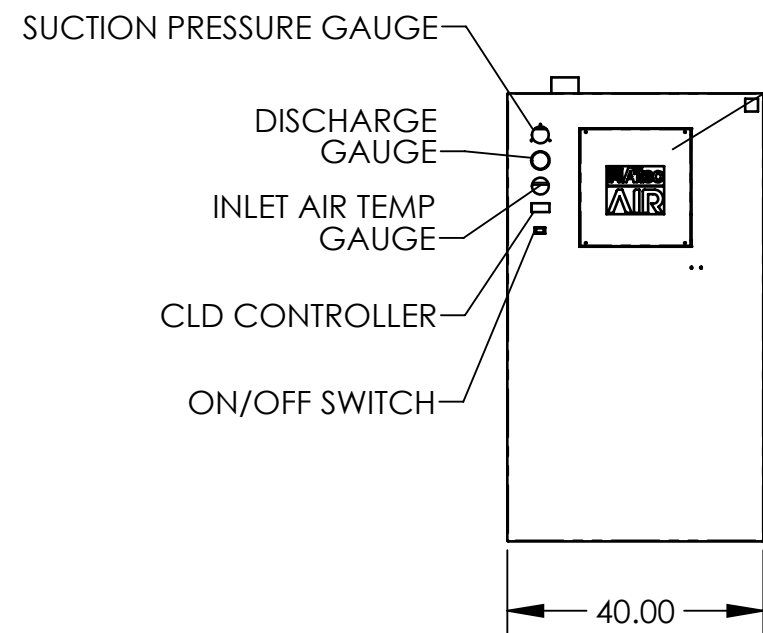
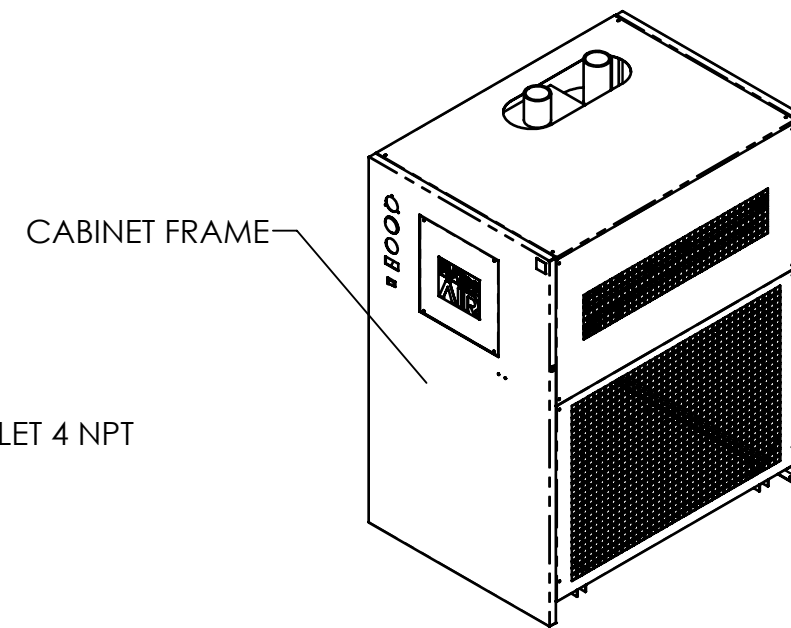
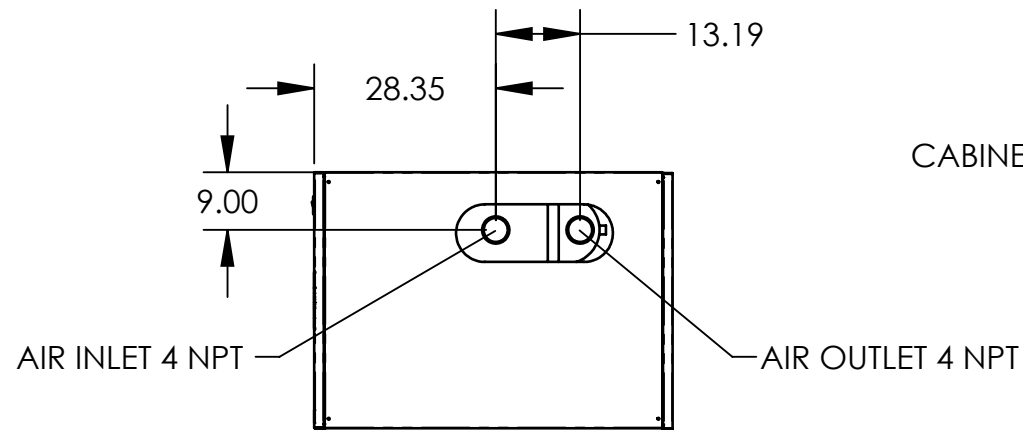


MODEL	RAD-1500A-5-D
MAX INLET AIR TEMP (F)	140°
MIN/MAX AMBIENT TEMP (F)	45°/120°
VOLTAGE	575V-3Ph-60Hz
REFRIGERANT	R404A
REFRIGERANT CHARGE (OZ)	288
LRA	79.2
RLA	15.2
MCA	14.6
MOP	40
COMPRESSOR	SCROLL
INLET/OUTLET PORT (NPT)	4 NPT
DESIGN PRESSURE LOW/HIGH	181/450 PSI
COMPRESSOR HP	12
WEIGHT (LBS)	1400



DRAWN E.GALINDO	UNLESS OTHERWISE NOTED, TOLERANCES ARE: FRACTIONS: $\pm 1/16$ ANGLES: $\pm 0^{\circ}30'$ DECIMAL: .X = $\pm .06$   .XX = $\pm .03$   .XXX = $\pm .015$   .XXXX = $\pm .0030$ MACHINED SURFACES: 125 MICROINCHES THESE TOLERANCES DO NOT APPLY TO BASIC DIMENSIONS.  DO NOT SCALE THIS PRINT, REMOVE ALL BURRS & SHARP EDGES, ALL DIMENSIONS ARE IN INCHES. CAD SOFTWARE: SOLIDWORKS. DRAWING DIMENSIONED TO ALTEC STANDARD: CDS-0007.	
APPROVED		
DATE 11/30/2023		
MATERIAL		
FINISH		



TITLE: DRYR-REFRIG, NON-CYCL, 1500 SCFM, 575V/3PH, 60 HZ, DIGITAL SCROLL

CONFIDENTIAL: This drawing and its contents are the proprietary and confidential information of Altec Industries, Inc. and are not to be reproduced, copied or publicly disclosed. If this drawing is provided to someone outside Altec, it is done so for the limited purpose of assisting that recipient with a technical or product issue. In receiving this drawing, the recipient agrees to maintain it in confidence and not to use it beyond the purpose previously stated. Recipient agrees not to reproduce, copy, or publicly disclose this drawing and its contents.	SCALE 1:30	WEIGHT -	SIZE 2	NUMBER 100521382	REV A
---	---------------	-------------	-----------	---------------------	----------