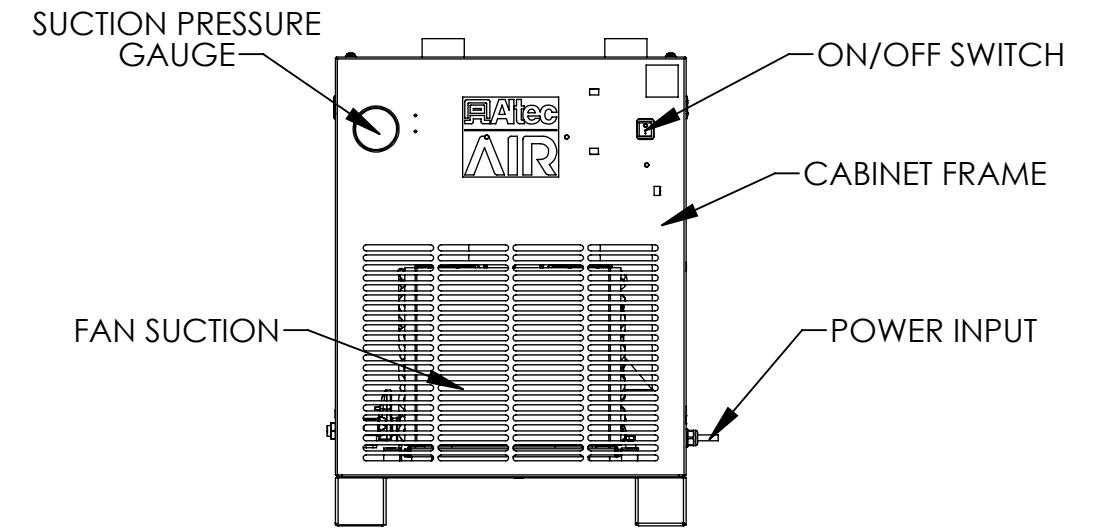
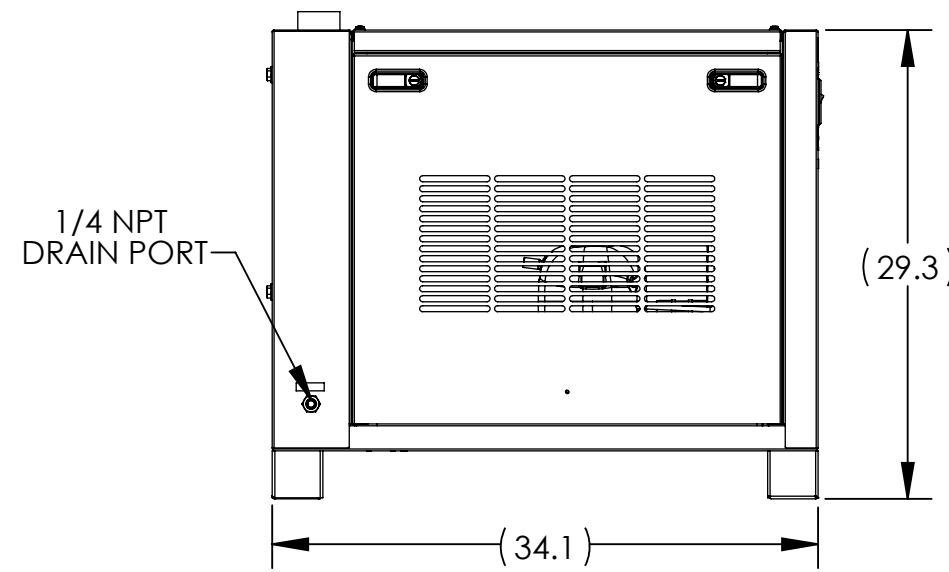
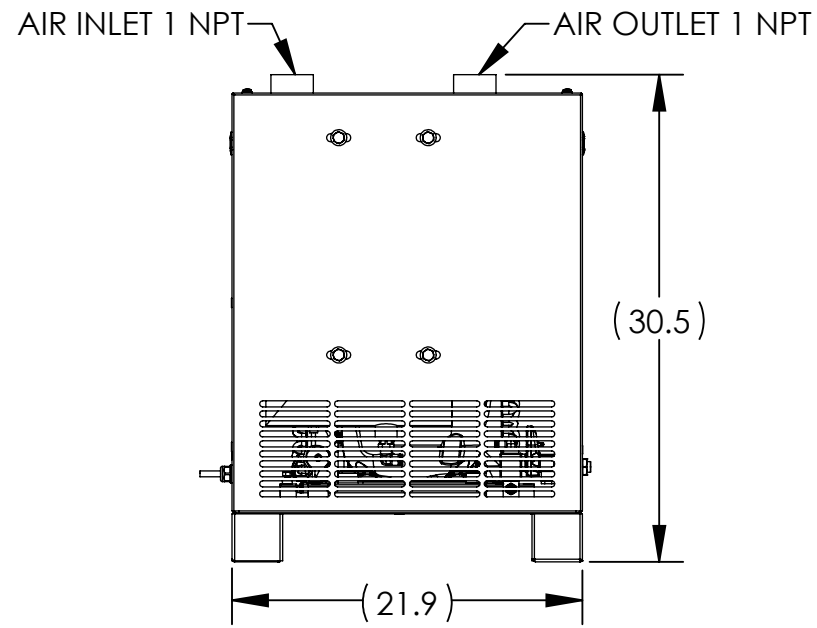
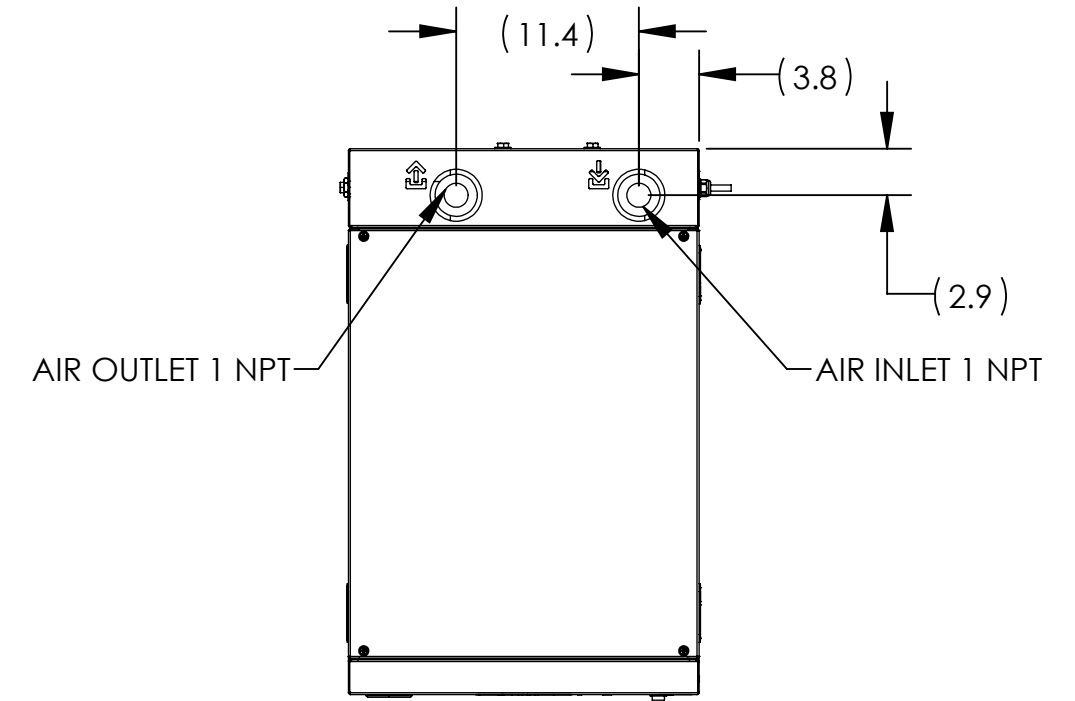
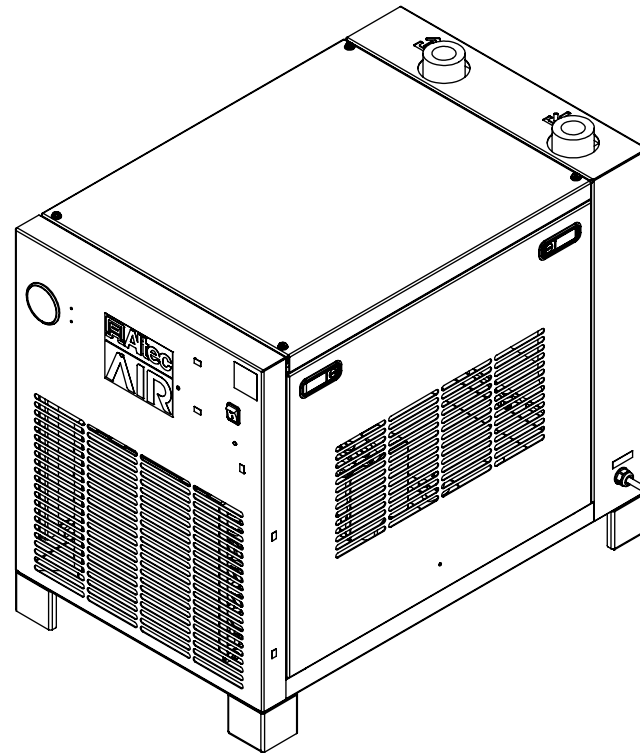


MODEL	RHT-0060A-1
MAX INLET AIR TEMP (F)	200
MIN/MAX AMBIENT TEMP (F)	45/120
VOLTAGE	115V-1Ph-60Hz
REFRIGERANT	R134A
REFRIGERANT CHARGE (OZ)	15
LRA	56
RLA	13.6
MCA	21.4
MOP	35
COMPRESSOR	RECIPROCATING
INLET/OUTLET PORT (NPT)	1-1/2
REFRIGERANT PRESSURE LOW/HIGH	150/300
COMPRESSOR HP	3/4
WEIGHT (LBS)	192
CORD AND PLUG TYPE	NEMA 5-20P
POWER CORD LENGTH (FT)	9



DRAWN	CNKURZ
APPROVED	-
DATE	03/20/2025
MATERIAL	-
FINISH	-

UNLESS OTHERWISE NOTED, TOLERANCES ARE:
 FRACTIONS: $\pm 1/16$ ANGLES: $\pm 0^{\circ}30'$
 DECIMAL: .X = $\pm .06$ | .XX = $\pm .03$ | .XXX = $\pm .015$ | .XXXX = $\pm .0030$
 MACHINED SURFACES: 125 MICRONS
 THESE TOLERANCES DO NOT APPLY TO BASIC DIMENSIONS.

DO NOT SCALE THIS PRINT, REMOVE ALL BURRS & SHARP EDGES, ALL DIMENSIONS ARE IN INCHES.
 CAD SOFTWARE: SOLIDWORKS.
 DRAWING DIMENSIONED TO ALTEC STANDARD: CDS-0007.



TITLE: DRYR-REFRIG; NON-CYCL; 60 SCFM; 115V/1PH; 60 HZ; HT

CONFIDENTIAL: This drawing and its contents are the proprietary and confidential information of Altec Industries, Inc. and are not to be reproduced, copied or publicly disclosed. If this drawing is provided to someone outside Altec, it is done so for the limited purpose of assisting that recipient with a technical or product issue. In receiving this drawing, the recipient agrees to maintain it in confidence and not to use it beyond the purpose previously stated. Recipient agrees not to reproduce, copy, or publicly disclose this drawing and its contents.

SCALE	WEIGHT	SIZE	NUMBER	REV
1:12	-	2	100519522	A