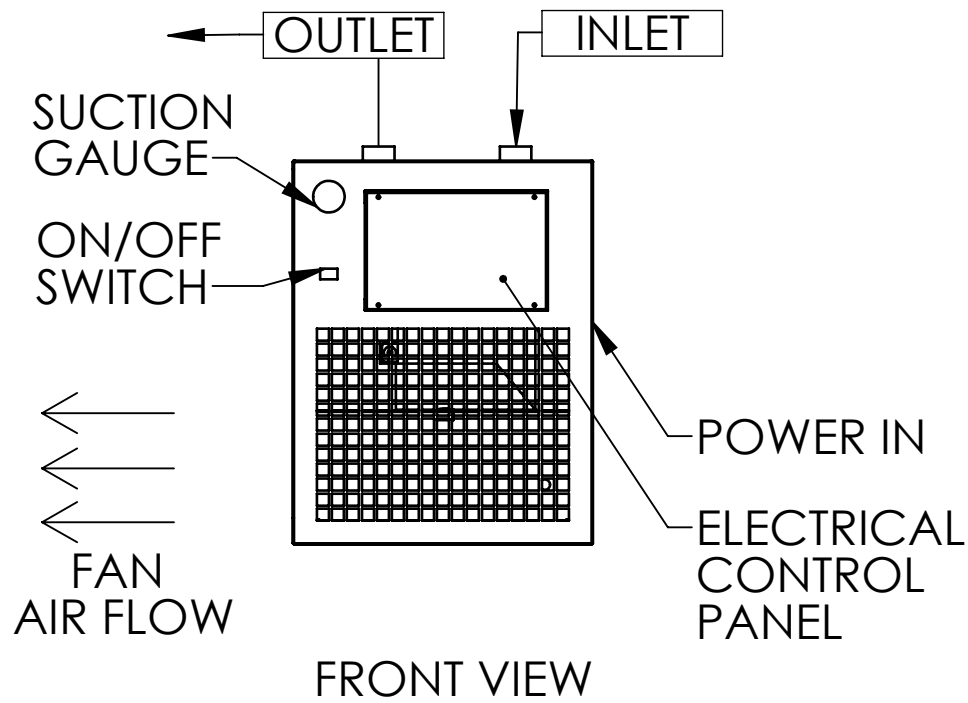
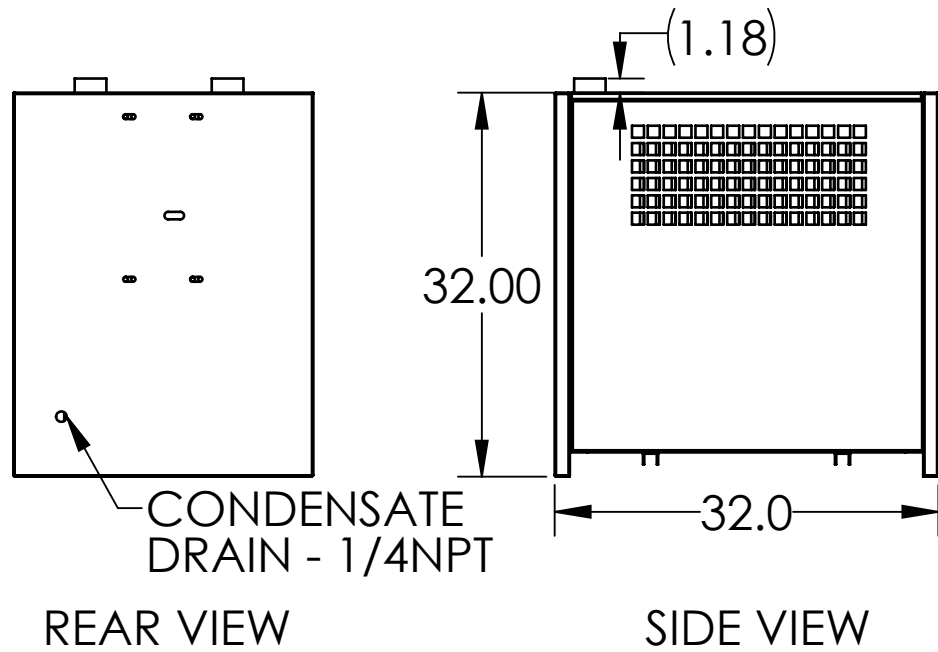


MODEL	UA200A-3	UA200A-4	UA200-5
VOLTAGE	230VAC-3PH-60HZ	460VAC-3PH-60HZ	575VAC-3PH-60HZ
VOLTAGE RANGE	180-253	414-506	483-667
RLA	6.7	3.9	3.9
LRA	51	25	25
MIN. CIRCUIT AMP	9.9	5.4	5.4
MAX. FUSE SIZE	15	15	15
MAX. INLET AIR TEMP - F	110	110	110
MIN/MAX AMBIENT TEMP - F	45/110	45/110	45/110
REF. SYSTEM DESIGN - PSIG	181/450	181/450	181/450
SUCTION / DISCHARGE - PSIG	70/225	70/225	70/225
REF. COMPRESSOR HP	1-1/2	1-1/2	1-1/2
REFRIGERANT TYPE	R404A	R404A	R404A
REFRIGERANT CHARGE	2LB 5OZ	2LB 5 OZ	2LB 5 OZ
MAX AIR PRESSURE - PSIG	232	232	232
INLET / OUTLET PORT - NPT	1-1/2" NPT	1-1/2" NPT	1-1/2" NPT



**NOTES:**

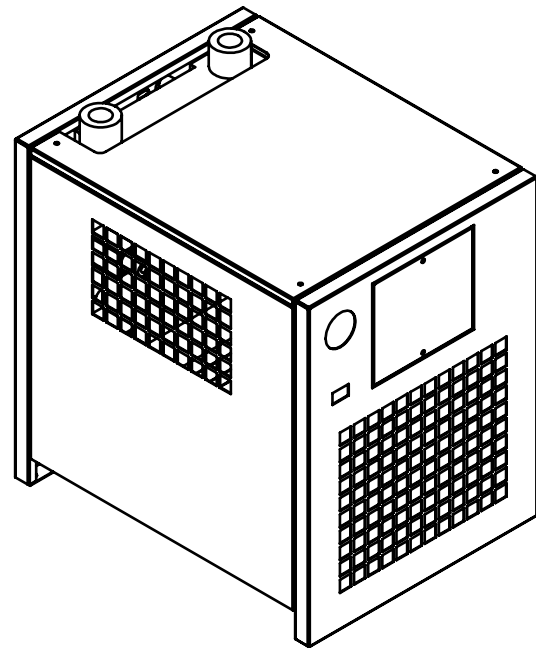
CONDENSER TYPE - AIR-COOLED  
WEIGHT - 250 LBS

DRAWN J.DIMAILO	UNLESS OTHERWISE NOTED, TOLERANCES ARE: FRACTIONS: ±1/16 ANGLES: ±0°30' DECIMAL: .X = ±.06   .XX = ±.03   .XXX = ±.015   .XXXX = ±.0030 MACHINED SURFACES: 125 MICRINCHES THESE TOLERANCES DO NOT APPLY TO BASIC DIMENSIONS.
APPROVED	
DATE 12/29/2020	DO NOT SCALE THIS PRINT, REMOVE ALL BURRS & SHARP EDGES, ALL DIMENSIONS ARE IN INCHES. CAD SOFTWARE: SOLIDWORKS. DRAWING DIMENSIONED TO ALTEC STANDARD: CDS-0007.
MATERIAL	
FINISH	
SHEET 1 OF 2	



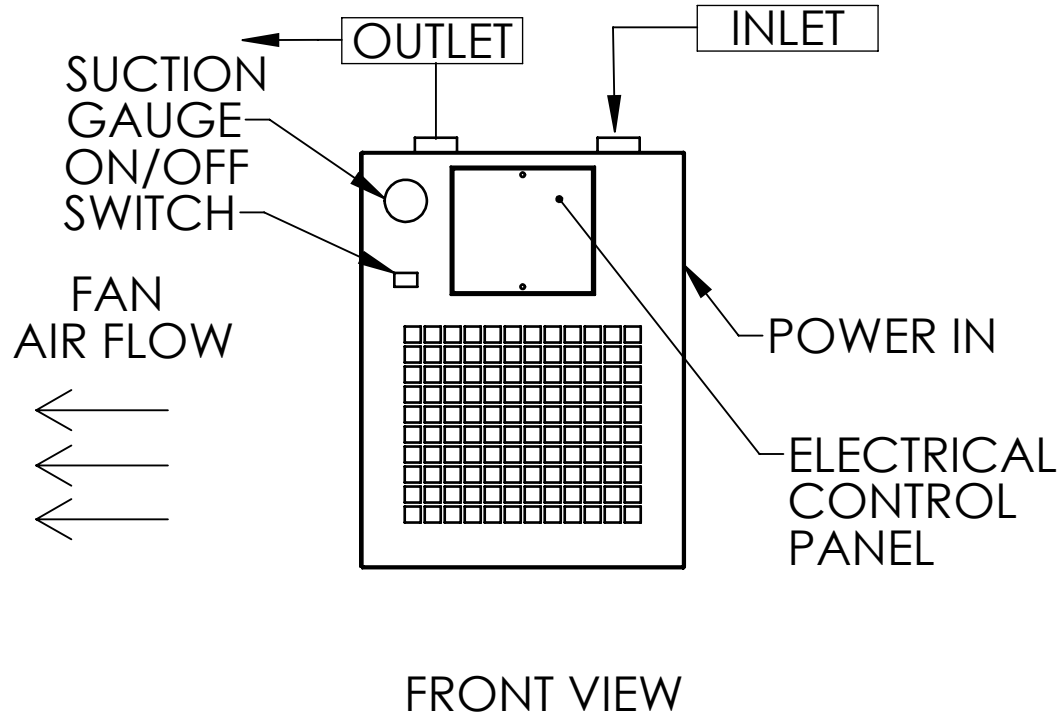
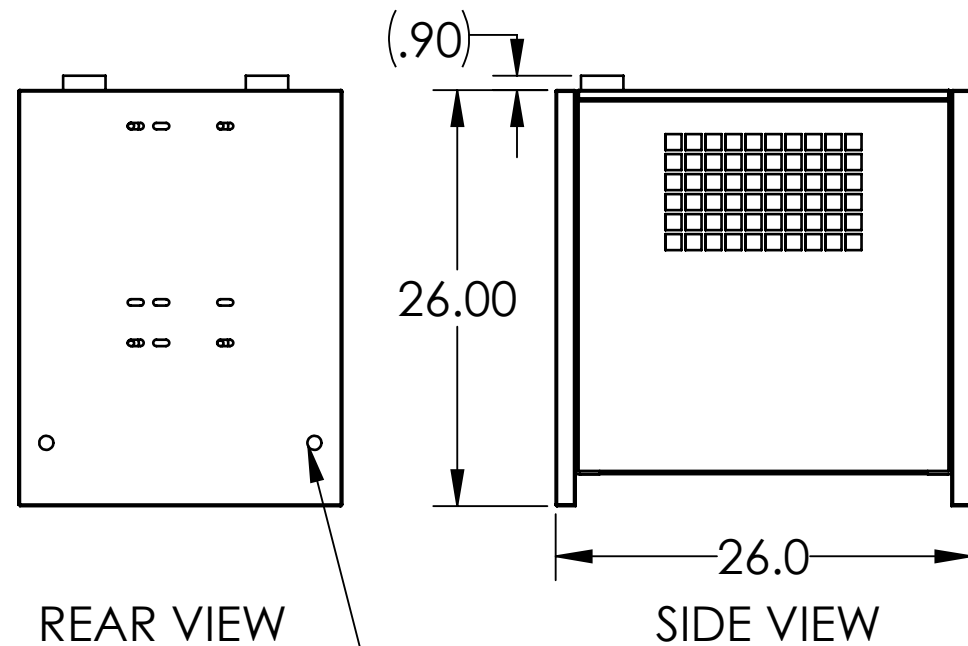
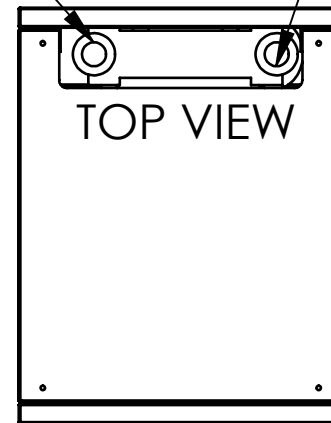
TITLE: Refrigerated Dryer-Non Cycling 200 scfm

CONFIDENTIAL: This drawing and its contents are the proprietary and confidential information of Altec Industries, Inc. and are not to be reproduced, copied or publicly disclosed. If this drawing is provided to someone outside Altec, it is done so for the limited purpose of assisting that recipient with a technical or product issue. In receiving this drawing, the recipient agrees to maintain it in confidence and not to use it beyond the purpose previously stated. Recipient agrees not to reproduce, copy, or publicly disclose this drawing and its contents.	SCALE 1:16	WEIGHT 63.9	SIZE 2	NUMBER UA200A-X	REV A
---	---------------	----------------	-----------	--------------------	----------



OUTLET  
1-1/2" NPT

INLET  
1-1/2" NPT



MODEL	UA200A-1	UA200A-2
VOLTAGE	115VAC-1PH-60HZ	230VAC-1PH-60HZ
VOLTAGE RANGE	103-127	187-254
RLA	13	7
LRA	69	41.8
MIN. CIRCUIT AMP	17.1	9.2
MAX. FUSE SIZE	30	15
MAX. INLET AIR TEMP - F	110	110
MIN/MAX AMBIENT TEMP - F	45/110	45/110
REF. SYSTEM DESIGN - PSIG	150/450	150/450
SUCTION / DISCHARGE - PSIG	30/115	30/115
REF. COMPRESSOR HP	3/4	3/4
REFRIGERANT TYPE	R134A	R134A
REFRIGERANT CHARGE	15 OZ	15 OZ
MAX AIR PRESSURE - PSIG	232	232
INLET / OUTLET PORT - NPT	1-1/2" NPT	1-1/2" NPT

**NOTES:**  
CONDENSER TYPE - AIR-COOLED  
WEIGHT - 250 LBS

UA200A-1 & UA200A-2 ARE IN A SMALLER CABINET SIZE

DRAWN J.DIMAILO	UNLESS OTHERWISE NOTED, TOLERANCES ARE: FRACTIONS: $\pm 1/16$ ANGLES: $\pm 0^{\circ}30'$ DECIMAL: .X = $\pm .06$   .XX = $\pm .03$   .XXX = $\pm .015$   .XXXX = $\pm .0030$ MACHINED SURFACES: 125 MICRINCHES THESE TOLERANCES DO NOT APPLY TO BASIC DIMENSIONS.
APPROVED	
DATE 12/30/2020	DO NOT SCALE THIS PRINT, REMOVE ALL BURRS & SHARP EDGES, ALL DIMENSIONS ARE IN INCHES. CAD SOFTWARE: SOLIDWORKS. DRAWING DIMENSIONED TO ALTEC STANDARD: CDS-0007.
MATERIAL	
FINISH	
SHEET 2 OF 2	



TITLE: Refrigerated Dryer-Non Cycling 200 scfm

CONFIDENTIAL: This drawing and its contents are the proprietary and confidential information of Altec Industries, Inc. and are not to be reproduced, copied or publicly disclosed. If this drawing is provided to someone outside Altec, it is done so for the limited purpose of assisting that recipient with a technical or product issue. In receiving this drawing, the recipient agrees to maintain it in confidence and not to use it beyond the purpose previously stated. Recipient agrees not to reproduce, copy, or publicly disclose this drawing and its contents.

SCALE	WEIGHT	SIZE	NUMBER	REV
1:12		2	UA200A-X	A