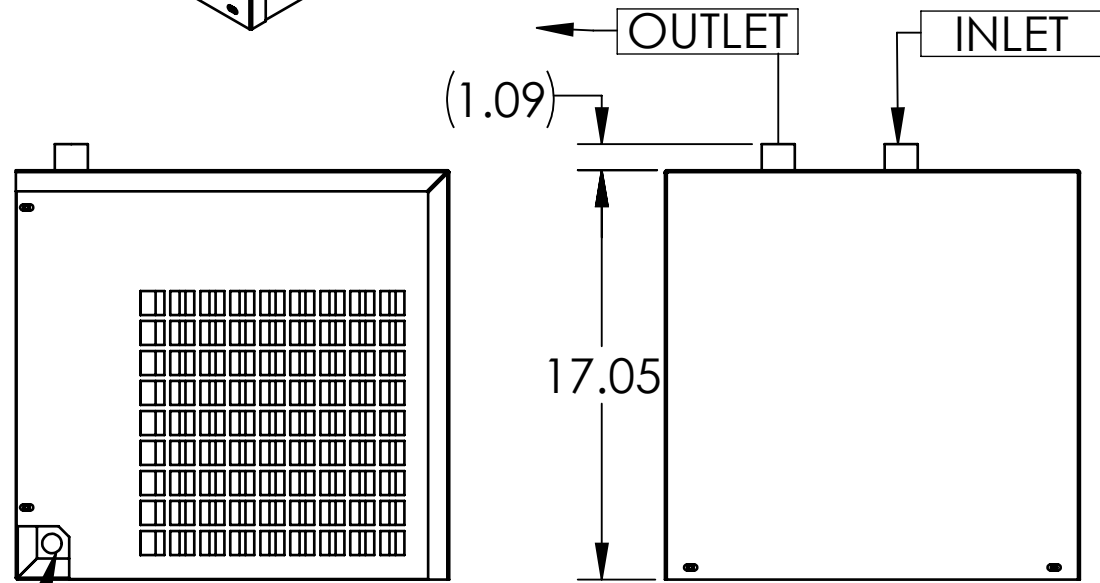


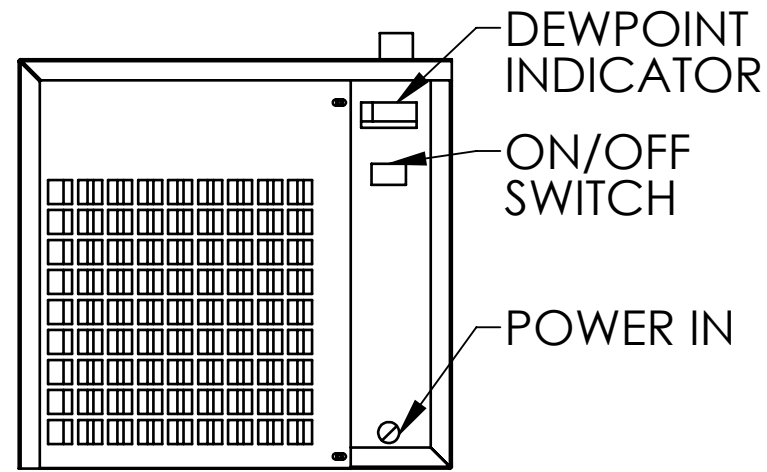
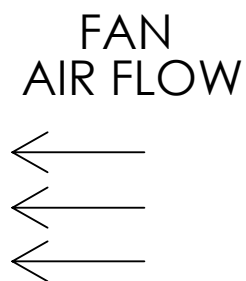
TOP VIEW



REAR VIEW

CONDENSATE DRAIN
3/8" OD

SIDE VIEW



FRONT VIEW

MODEL	UA20A-1
VOLTAGE	115VAC-1PH-60HZ
VOLTAGE RANGE	103-127
RLA	1.91
LRA	14.4
MIN. CIRCUIT AMP	2.8
MAX. FUSE SIZE	15
MAX. INLET AIR TEMP - F	110
MIN/MAX AMBIENT TEMP - F	45/110
REF. SYSTEM DESIGN - PSIG	150/300
SUCTION / DISCHARGE - PSIG	30/115
REF. COMPRESSOR HP	1/6
REFRIGERANT TYPE	R134A
REFRIGERANT CHARGE	8 OZ
MAX AIR PRESSURE - PSIG	232
INLET / OUTLET PORT - NPT	1/2" NPT

NOTES:

CONDENSER TYPE - AIR-COOLED
WEIGHT - 75 LBS

DRAWN	JVD	UNLESS OTHERWISE NOTED, TOLERANCES ARE: FRACTIONS: $\pm 1/16$ ANGLES: $\pm 0^{\circ}30'$ DECIMAL: .X = $\pm .06$.XX = $\pm .03$.XXX = $\pm .015$.XXXX = $\pm .0030$ MACHINED SURFACES: 125 MICROINCHES THESE TOLERANCES DO NOT APPLY TO BASIC DIMENSIONS. DO NOT SCALE THIS PRINT, REMOVE ALL BURRS & SHARP EDGES, ALL DIMENSIONS ARE IN INCHES. CAD SOFTWARE: SOLIDWORKS. DRAWING DIMENSIONED TO ALTEC STANDARD: CDS-0007.		Altec AIR 226A COMMERCE ST, BROOMFIELD, CO 80020
APPROVED				
DATE	12/30/2020			
MATERIAL				
FINISH				
TITLE: Refrigerated Dryer-Non Cycling 20 scfm				
<small>CONFIDENTIAL: This drawing and its contents are the proprietary and confidential information of Altec Industries, Inc. and are not to be reproduced, copied or publicly disclosed. If this drawing is provided to someone outside Altec, it is done so for the limited purpose of assisting that recipient with a technical or product issue. In receiving this drawing, the recipient agrees to maintain it in confidence and not to use it beyond the purpose previously stated. Recipient agrees not to reproduce, copy, or publicly disclose this drawing and its contents.</small>				

SCALE	WEIGHT	SIZE	NUMBER	REV
1:8		2	UA20A-X	A