

## Desiccant Air Dryers 2.8 to 12.0 SCFM

The VSA Series Heatless Desiccant Air Dryers are one of our longest running, mature product lines. Its proven design continues to provide solid performance and reliability at point-of-use applications.

- 4 Models Available to Match Your Application Requirements and Minimize Energy Loss
- Solid-State Timer with Built-In Memory Ensures Reliable Drying Cycles
- Fixed Orifice Purge Control for Consistent Ultra-Dry Outlet Conditions
- Dual Inlet & Outlet Port Configurations  
Allows for Custom, Easy Installation
- -40°F/C Standard Outlet Dewpoint  
(ISO 8573.1 Class 2)



### FEATURES

- Standard Outlet Dewpoint
  - -40° F/C Pressure Dewpoint (PDP)
- Available Input Voltages
  - 120 VAC
  - 240 VAC
- Maximum Pressure - 150 PSIG
- Maximum Inlet Temperature - 120°F / 49°C

### OPTIONS

- Moisture Indicator
- Filtration Kit -
  - 5 Micron and 0.01 Micron Prefilters
  - 0.5 Micron Afterfilter
- Filter / Regulator Kit -
  - Filtration Kit (above)
  - Outlet Regulator & Gauge

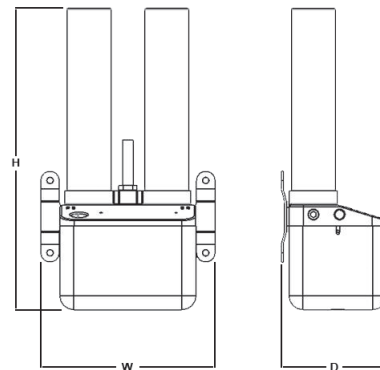
[www.AltecAIR.com](http://www.AltecAIR.com)  
800.521.5351

  
VSA SERIES  
DESICCANT AIR DRYERS

# VSA Series

	VSA1	VSA2	VSA3	VSA4	
SPECIFICATIONS	INLET Flow (SCFM @ 100 PSIG)	2.8	5.8	8.0	12.0
	PURGE Flow (SCFM @ 100 PSIG)	0.8	1.7	2.5	3.2
	OUTLET Flow (SCFM @ 100 PSIG)	2.0	4.1	5.5	8.8
	Inlet / Outlet Ports (NPT)	1/4"			

	Weight (lbs)	Height (in)	Width (in)	Depth (in)	
DIMENSIONS	VSA1	7.0	10.1	8.0	4.8
	VSA2	8.0	13.1		
	VSA3	9.0	16.1		
	VSA4	14.0	24.1		



## For INLET Pressures other than 100 PSIG

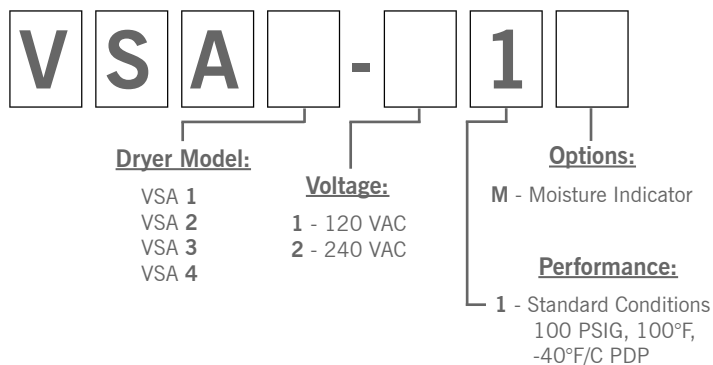
**Maximum Inlet Flow** (-40° F/C PDP) = INLET Flow (above) x INLET Flow Factor (A) @ Actual Pressure (below)

**Purge Flow** = PURGE Flow (above) x PURGE Flow Factor (B) @ Actual Pressure (below)

**Rated OUTLET Flow** = Calculated Maximum Inlet Flow - Calculated Purge Flow

Actual Pressure (PSIG)	50	60	70	80	90	100	110	120	130	140	150
INLET Flow Factor (A)	0.32	0.43	0.56	0.70	0.85	1.00	1.09	1.17	1.26	1.35	1.44
PURGE Flow Factor (B)	0.57	0.65	0.74	0.83	0.91	1.00	1.09	1.18	1.26	1.35	1.44

## MODEL CONFIGURATION



## Need A Custom Sized Air Dryer?

Contact Altec AIR for assistance selecting the right dryer for your application. All you need is the required dewpoint, operating pressure, and the required inlet or outlet flow rate.

Quality Class	1	2	3	4	
Dewpoint	°F	-100°	-40°	-4°	38°
	°C	-73°	-40°	-20°	3°
Remaining Moisture	ppmw	0.12	10	81	610
	mg/m <sup>3</sup>	0.15	12	97	730

For more complete information on Altec AIR products and services, visit us on the web at [www.AltecAIR.com](http://www.AltecAIR.com). Material and specifications are subject to change without notice. Featured units in photos may include optional features. Please contact an Altec AIR representative for all available options. Altec AIR logo is a registered trademarks of Altec Inc. in the United States and various other countries and may not be used without permission.  
© 2019 Altec AIR. All Rights Reserved. VSA-0919